

COMMERCIAL LIGHTING MANUFACTURE **NEW PRODUCTS 2018**  
**LED LUMINAIRES**



your **LED** partner,  
**RAAT**

# COMMERCIAL LIGHTING MANUFACTURE NEW PRODUCTS 2018





GUCCI FLAGSHIP STORE @ CHUNGDAM SEOUL  
 Photo by **Andrea Buso** / Lighting Design by **NEHTE**

	<b>[ Flow ]</b> Recessed Down Spot Track Accent Light <b>2</b>
	<b>[ Abaco ]</b> Track Accent Light <b>6</b>
	<b>[ Quattro ]</b> Track Accent Light Linear Recessed Down Light <b>8</b>
	<b>[ Palla ]</b> Trimless Recessed Down Light <b>10</b>
	<b>[ General down light ]</b> Recessed Down Light Trimless Recessed Down Light <b>12</b>
	<b>[ Longer ]</b> Pendant Light <b>14</b>
	<b>[ Mond ]</b> Pendant Light Surface Mounted Type <b>16</b>

# Flow

## Recessed Down Spot & Track Accent Light

### Recessed Down Spot

Ø 35

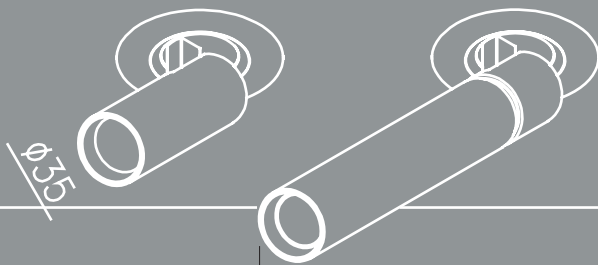
POWER LED type allow to produce fixture of homogenous lighting performance and high-efficiency natural looking light.  
And with use high efficiency lens, it can be perform various beam angle.  
And with use Zoom, it can be perform various beam angle.

- Color Temperature (3,000K / 4,000K / 5,000K)
- Color Rendering Index (80, 90)

Ø 60

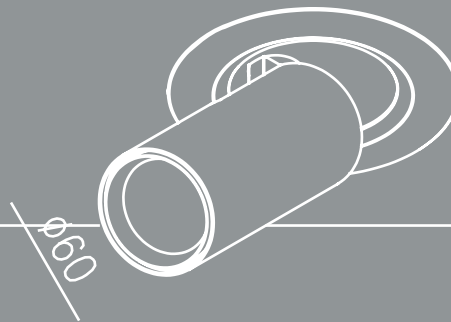
LED COB type allow to produce fixture of homogenous lighting performance and high-efficiency natural looking light.  
And with use high efficiency lens, it can be perform various beam angle.  
And with use Zoom, it can be perform various beam angle.

- Color Temperature (3,000K / 4,000K)
- Color Rendering Index (80, 90)



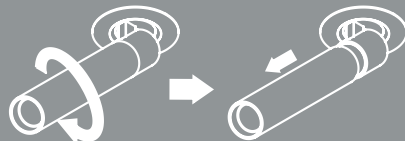
### ZOOM TYPE

With use Zoom, it can be perform various.

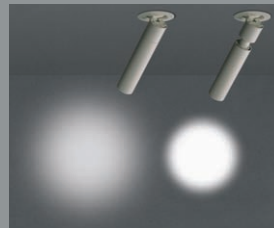


### ZOOM TYPE

With use Zoom, it can be perform various.



Rotate to adjust zoom angle





## Track Accent Light

Ø 35

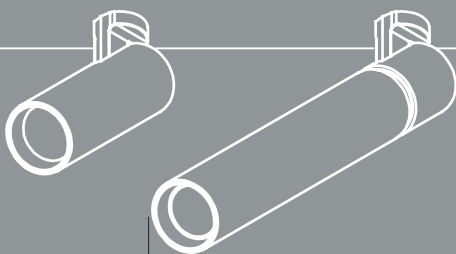
Track Adapter with Built-in LED Driver available.  
=> (For the 3-circuit track system)

- Homogenous lighting performance with use Power LED type.
- Color Temperature (3,000K / 4,000K / 5,000K)
- Color Rendering Index (80, 90)

Ø 60

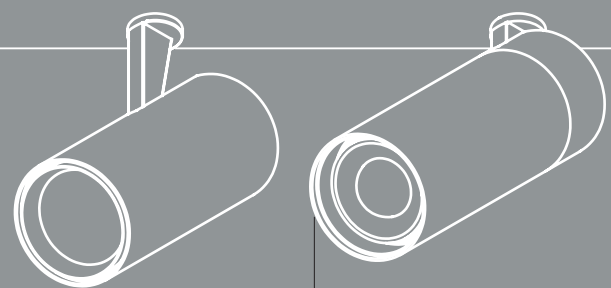
Track Adapter with Built-in LED Driver available.  
=> (For the 3-circuit track system)

- Homogenous lighting performance with use LED COB type.
- Color Temperature (3,000K / 4,000K)
- Color Rendering Index (80, 90)



### ZOOM TYPE

With use Zoom, it can be perform various.



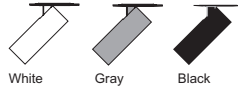
### ZOOM TYPE

With use Zoom, it can be perform various.



# Flow

Ø 35



TYPE OF LED : POWER LED

TRIM	AL. Die-Casting, Electrostatic Powder Coating
ADJUSTABLE PLATE	AL. Die-Casting, Electrostatic Powder Coating Adjustable Angle (Rotate ∠355°)
HOUSING	AL. Extrude, Electrostatic Powder Coating Adjustable Angle (Tilt ∠90°)
MOUNTING RING	AL. Extrude, Electrostatic Powder Coating
HEAT SINK	AL. Extrude, Electrostatic Powder Coating
REFLECTOR	LENS
OPTION	Wireless Control (Bluetooth Module)

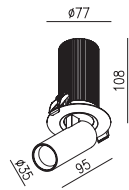
TYPE OF LED	POWER LED
INPUT VOLTAGE	220-240V AC , 50-60Hz (option : 100-240V AC , 50-60Hz)

OUTPUT POWER (W)	COLOR TEMPERATURE (K)	INPUT POWER (W)	SYSTEM EFFICIENCY (lm/w)	LUMINOUS FLUX (lm)	OUTPUT VOLTAGE (nominal)	COLOR RENDERING INDEX_CRI	OUTPUT CURRENT (mA)
3,000K	7W	5W	62 lm/w	451 lm	12V DC	80	450mA DC

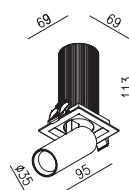
OPERATING TEMPERATURE RANGE	-20 to +40 °C
MAINTENANCE OF LUMEN -L70	50,000 hours at 25°C
COLOR RENDERING INDEX	80, 90
COLOR TEMPERATURE	<input type="radio"/> 5,000K <input type="radio"/> 4,000K <input checked="" type="radio"/> 3,000K



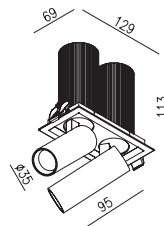
Recessed Down Spot



DDS-27600.01  
Ø 67 mm

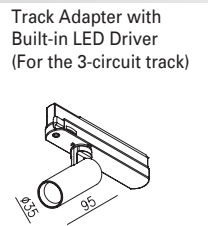


DDS-27600.02  
65 x 60 mm



DDS-27600.03  
124 x 60 mm

Track Accent Light



DDC-65020.01

## Ø 35 ZOOM TYPE



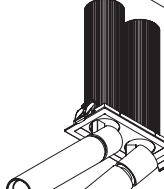
Recessed Down Spot



DDS-27600.06  
Ø 67 mm

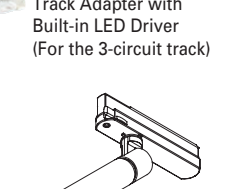


DDS-27600.07  
65 x 60 mm



DDS-27600.08  
124 x 60 mm

Track Accent Light




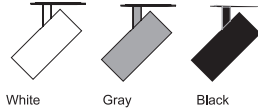
DDC-65020.06



Ø 60



TYPE OF LED : COB 



TRIM	AL. Die-Casting, Electrostatic Powder Coating
ADJUSTABLE PLATE	AL. Die-Casting, Electrostatic Powder Coating Adjustable Angle (Rotate ∠355°)
HOUSING	AL. Extrude, Electrostatic Powder Coating Adjustable Angle (Tilt ∠90°)
MOUNTING RING	AL. Extrude, Electrostatic Powder Coating
HEAT SINK	AL. Extrude, Electrostatic Powder Coating
REFLECTOR	LENS
OPTION	Wireless Control (Bluetooth Module) 

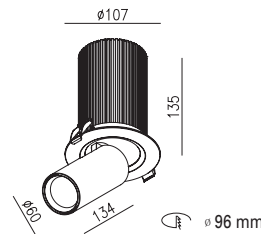
TYPE OF LED	COB
INPUT VOLTAGE	220-240V AC , 50-60Hz (option : 100-240V AC , 50-60Hz)

OUTPUT POWER (W)	COLOR TEMPERATURE (K)	INPUT POWER (W)	SYSTEM EFFICIENCY (lm/w)	LUMINOUS FLUX (lm)	OUTPUT VOLTAGE (nominal)	COLOR RENDERING INDEX_CRI	OUTPUT CURRENT (mA)
3,000K	24W	21W	112 lm/w	2,676 lm	35V DC	80	600mA DC

OPERATING TEMPERATURE RANGE	-20 to +40 °C
MAINTENANCE OF LUMEN -L80	50,000 hours at 25 °C
COLOR RENDERING INDEX	80, 90
COLOR TEMPERATURE	○ 4,000K    ● 3,000K



Recessed Down Spot



DDS-27610.01

Track Accent Light

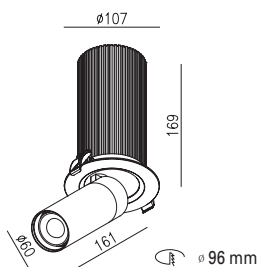


DDC-65030.01

Ø 60 ZOOM TYPE



Recessed Down Spot



DDS-27610.06

Track Accent Light



DDC-65030.06




# Abaco Track Accent Light




LED COB type allow to produce fixture of homogenous lighting performance and high-efficiency natural looking light. And with use high efficiency lens, it can be perform various beam angle.

- Homogenous lighting performance with use LED COB type.
- High efficiency lens for different type of beam angle.
- Color Temperature (3,000K / 4,000K)
- Color Rendering Index (80, 90)



TYPE OF LED : COB 

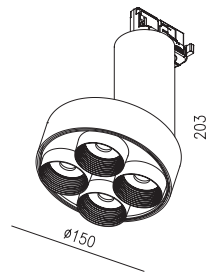
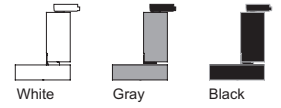


LED HOUSING	AL. Die-Casting, Electrostatic Powder Coating Adjustable Angle (Tilt $\angle 90^\circ$ )
GEAR BOX	DDC-65200.02 AL. Extrude, Electrostatic Powder Coating DDC-65130.10 AL. Die-Casting, Electrostatic Powder Coating
REFLECTOR	LENS
COVER	AL. Die-Casting, Electrostatic Powder Coating
OPTION	Wireless Control (Bluetooth Module) 





DDC-65200.02 COB 38W

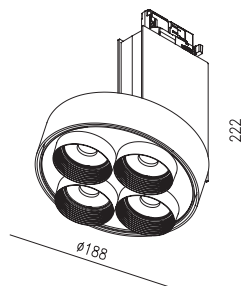
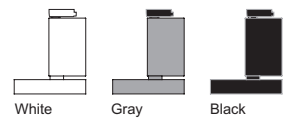


TYPE OF LED	COB
INPUT VOLTAGE	220-240V AC , 50-60Hz (option : 100-240V AC , 50-60Hz)

INPUT POWER(W)	38W
OUTPUT POWER(W)	35W
SYSTEM EFFICIENCY (lm/W)	110 lm/W
LUMINOUS FLUX (lm)	4,122 lm
OUTPUT VOLTAGE (nominal)	34V DC
OUTPUT CURRENT (mA)	1,050mA DC



DDC-65130.10 COB 53W




TYPE OF LED	COB
INPUT VOLTAGE	220-240V AC , 50-60Hz (option : 100-240V AC , 50-60Hz)

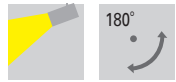
INPUT POWER(W)	53W
OUTPUT POWER(W)	45W
SYSTEM EFFICIENCY (lm/W)	133 lm/W
LUMINOUS FLUX (lm)	7,015 lm
OUTPUT VOLTAGE (nominal)	33V DC
OUTPUT CURRENT (mA)	1,400mA DC



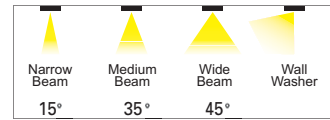
# Quattro Track Accent Light



TYPE OF LED : POWER LED 



[Beam Angle of LENS ]



DDC-65530

HOUSING

AL. Extrude, Electrostatic Powder Coating  
Adjustable Angle (Tilt  $\angle$  180°)

OPTION

Wireless Control (Bluetooth Module) 

TYPE OF LED

POWER LED

INPUT VOLTAGE

220-240V AC , 50-60Hz

COLOR TEMPERATURE (K)	INPUT POWER (W)	OUTPUT POWER (W)	SYSTEM EFFICIENCY (lm/w)	LUMINOUS FLUX (lm)	OUTPUT VOLTAGE (nominal)	COLOR RENDERING INDEX_CRI	OUTPUT CURRENT (mA)
○ 4,000K	73W	62W	77 lm/w	5,588 lm	30V DC x 3	80	700mA DC x 3

OPERATING TEMPERATURE RANGE

-20 to +40 °C

MAINTENANCE OF LUMEN -L70

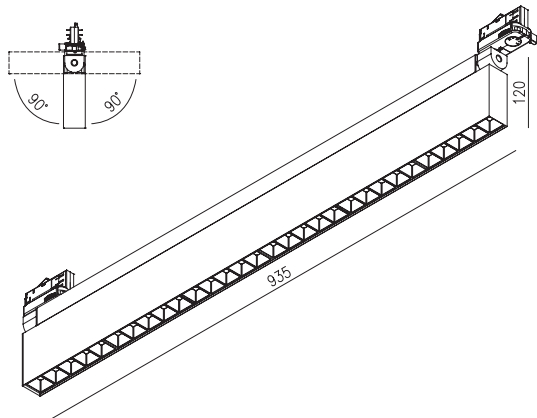
50,000 hours at 25 °C

COLOR RENDERING INDEX

80, 90

COLOR TEMPERATURE

○ 5,000K   ○ 4,000K   ● 3,000K





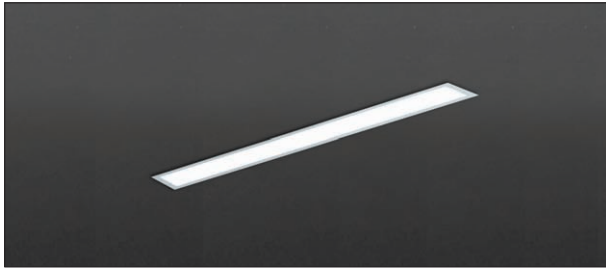
## Linear Recessed Down Light



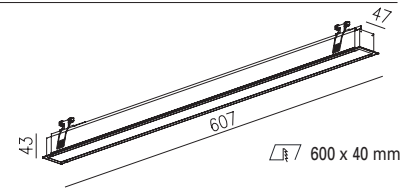
TYPE OF LED : SMD



TRIM & HOUSING	AL. Extrude, Electrostatic Powder Coating
COVER	PC
OPTION	Wireless Control (Bluetooth Module)
OPERATING TEMPERATURE RANGE	-20 to +40°C
MAINTENANCE OF LUMEN -L70	50,000 hours at 25°C
COLOR RENDERING INDEX	80, 90
COLOR TEMPERATURE	<input type="radio"/> 5,000K <input type="radio"/> 4,000K <input checked="" type="radio"/> 3,000K

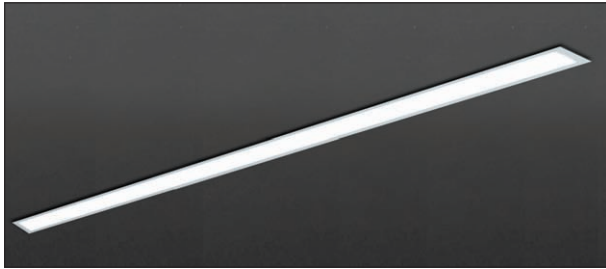


DD-30560

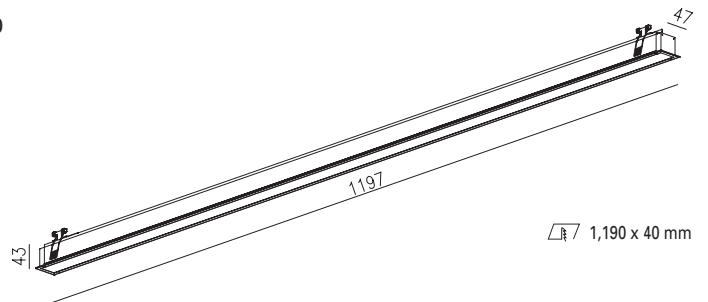


TYPE OF LED SMD (48 LED)  
 INPUT VOLTAGE 220-240V AC , 50-60Hz (option : 100-240V AC , 50-60Hz)

COLOR TEMPERATURE (K)	INPUT POWER (W)	OUTPUT POWER (W)	SYSTEM EFFICIENCY (lm/w)	LUMINOUS FLUX (lm)	OUTPUT VOLTAGE (nominal)	COLOR RENDERING INDEX_CRI	OUTPUT CURRENT (mA)
<input type="radio"/> 4,000K	22W	18W	60 lm/w	1,310 lm	36V DC	80	500mA DC

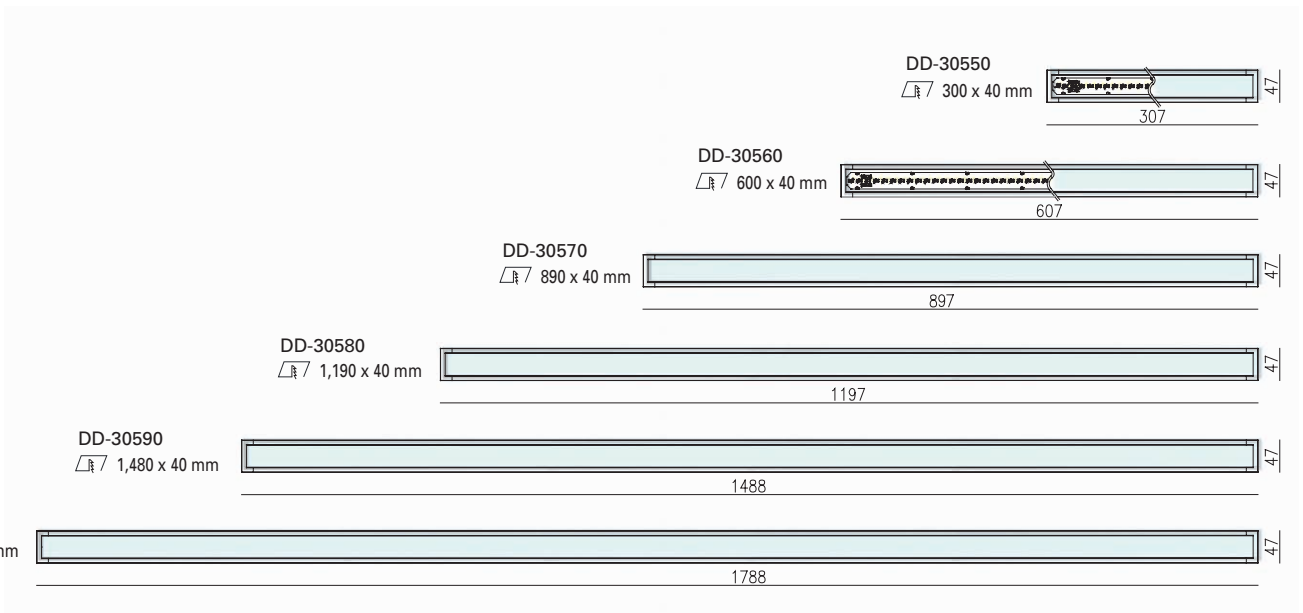


DD-30580



TYPE OF LED SMD (96 LED)  
 INPUT VOLTAGE 220-240V AC , 50-60Hz (option : 100-240V AC , 50-60Hz)

COLOR TEMPERATURE (K)	INPUT POWER (W)	OUTPUT POWER (W)	SYSTEM EFFICIENCY (lm/w)	LUMINOUS FLUX (lm)	OUTPUT VOLTAGE (nominal)	COLOR RENDERING INDEX_CRI	OUTPUT CURRENT (mA)
<input type="radio"/> 4,000K	32W	29W	68 lm/w	2,189 lm	36V DC	80	800mA DC



# Palla

## Trimless Recessed Down Light



### 1ST STEP POSITION OF LIGHT SOURCE

\_광원이 조명기구 안쪽에 있는 1단계

Light source is located in deep inside of lighting fixture.

This Palla series downlights has flexible way for different step of lighting source which is very useful for place where need non glare area. And also adjustable function angle option can be focus on direction that lights is needed.

PALLA 시리즈는 광원의 높낮이를 단계별(1,2,3단계) 조절이 가능하고 회전 및 각도 조절이 용이하여 원하는 곳에 빛을 조사할 수 있다.



### 2ND STEP POSITION OF LIGHT SOURCE


\_광원이 조명기구 중간 위치에 있는 2단계

Light source is located in middle position of lighting fixture.



## Trimless Recessed Down Light

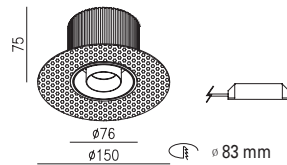
Ø 76 / Ø 93


ADJUSTABLE RING	PC, Adjustable Angle (Tilt ∠20°, Rotate ∠360°)
HOUSING	AL. Extrude, Electrostatic Powder Coating
HEAT SINK	AL. Extrude, Electrostatic Powder Coating
OPTION	Wireless Control (Bluetooth Module) 

Color Rendering Index	80, 90
Color Temperature	3,000K / 4,000K



DD-12120

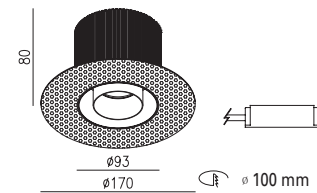
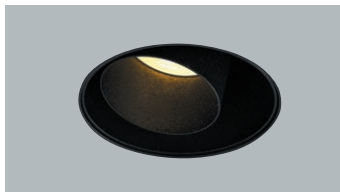


TYPE OF LED : POWER LED 

TYPE OF LED	POWER LED
INPUT VOLTAGE	220-240V AC , 50-60Hz (option : 100-240V AC , 50-60Hz)

INPUT POWER(W)	7W
OUTPUT POWER(W)	5W
SYSTEM EFFICIENCY (lm/W)	62 lm/W
LUMINOUS FLUX (lm)	451 lm
OUTPUT VOLTAGE (normal)	12V DC
OUTPUT CURRENT (mA)	450mA DC

DD-12130



TYPE OF LED : LED LAMP 

TYPE OF LED	LED LAMP (CN50-COB)
BEAM ANGLE	24° , 40°
INPUT VOLTAGE	220-240V AC , 50-60Hz

INPUT POWER(W)	15W
OUTPUT POWER(W)	13W
SYSTEM EFFICIENCY (lm/W)	94 lm/W
LUMINOUS FLUX (lm)	1,387 lm
OUTPUT CURRENT (mA)	350mA DC



**3RD STEP POSITION OF LIGHT SOURCE**

— 광원이 조명기구 가장자리에 있는 3단계

Light source is located in edge of lighting fixture.



**ADJUSTABLE ANGLE (TILT 20)**

— 각도조절 가능

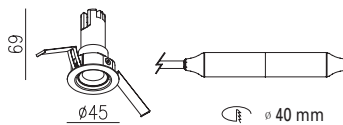
Adjustable angle light is possible where necessary

# Reflex-MP

## Recessed Down Light



DD-11010



TRIM	AL. Die-Casting, Electrostatic Powder Coating
ADJUSTABLE RING	AL. Extrude, Electrostatic Powder Coating Adjustable Angle (Tilt $\angle$ 23°)
HEAT SINK	AL. Die-Casting, Electrostatic Powder Coating
ACCESSORY	Beam angle LENS Type
BEAM ANGLE	15°, 20°, 30°, 40°
OPTION	Wireless Control (Bluetooth Module)

TYPE OF LED	POWER LED
INPUT VOLTAGE	220-240V AC , 50-60Hz (option : 100-240V AC , 50-60Hz)

COLOR TEMPERATURE (K)	INPUT POWER (W)	OUTPUT POWER (W)	SYSTEM EFFICIENCY (lm/w)	LUMINOUS FLUX (lm)	OUTPUT VOLTAGE (nominal)	COLOR RENDERING INDEX_CRI	OUTPUT CURRENT (mA)
● 3,000K	3W	2W	34 lm/w	101 lm	3V DC	80	570mA DC

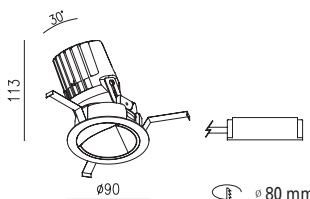
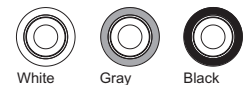


TYPE OF LED : POWER LED

OPERATING TEMPERATURE RANGE	-20 to +40°C
MAINTENANCE OF LUMEN -L70	50,000 hours at 25°C
COLOR RENDERING INDEX	80, 90
COLOR TEMPERATURE	○ 5,000K   ○ 4,000K   ● 3,000K



DD-12100.05



TRIM	AL. Die-Casting, Electrostatic Powder Coating
ADJUSTABLE RING	AL. Die-Casting, Electrostatic Powder Coating Adjustable Angle (Tilt $\angle$ 30°)
HEAT SINK	AL. Die-Casting, Electrostatic Powder Coating
REFLECTOR	ABS, Chrome (Non Glare Reflector)
OPTION	Wireless Control (Bluetooth Module)

TYPE OF LED	COB
INPUT VOLTAGE	220-240V AC , 50-60Hz (option : 100-240V AC , 50-60Hz)

OUTPUT POWER (W)	COLOR TEMPERATURE (K)	INPUT POWER (W)	SYSTEM EFFICIENCY (lm/w)	LUMINOUS FLUX (lm)	OUTPUT VOLTAGE (nominal)	COLOR RENDERING INDEX_CRI	OUTPUT CURRENT (mA)
● 3,000K	12W	10W	65 lm/w	743 lm	34V DC	80	290mA DC



TYPE OF LED : COB

OPERATING TEMPERATURE RANGE	-20 to +40 °C
MAINTENANCE OF LUMEN -L80	50,000 hours at 25°C
COLOR RENDERING INDEX	80, 90
COLOR TEMPERATURE	○ 4,000K   ● 3,000K

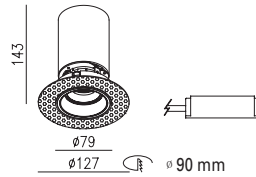
# Murly


## Trimless Recessed Down Light



*whisper in eyes*

DD-12100.06




ADJUSTABLE RING	PC, Adjustable Angle (Tilt $\angle 30^\circ$ )
HEAT SINK	AL. Extrude, Electrostatic Powder Coating
REFLECTOR	ABS, Chrome (Non Glare Reflector)
OPTION	Wireless Control (Bluetooth Module) 

TYPE OF LED	COB
INPUT VOLTAGE	220-240V AC , 50-60Hz (option : 100-240V AC , 50-60Hz)

COLOR TEMPERATURE (K)	INPUT POWER (W)	OUTPUT POWER (W)	SYSTEM EFFICIENCY (lm/w)	LUMINOUS FLUX (lm)	OUTPUT VOLTAGE (nominal)	COLOR RENDERING INDEX_CRI	OUTPUT CURRENT (mA)
● 3,000K	18W	14W	56 lm/w	960 lm	35V DC	80	420mA DC

OPERATING TEMPERATURE RANGE	-20 to +40 °C
MAINTENANCE OF LUMEN -L80	50,000 hours at 25 °C
COLOR RENDERING INDEX	80, 90
COLOR TEMPERATURE	○ 4,000K   ● 3,000K

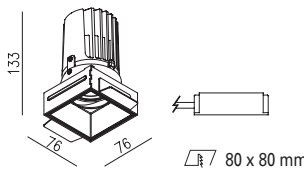



TYPE OF LED : COB 



*whisper in eyes*

DD-12100.07



ADJUSTABLE RING	PC, Adjustable Angle (Tilt $\angle 20^\circ$ )
HEAT SINK	AL. Die-Casting, Electrostatic Powder Coating
REFLECTOR	ABS, Chrome (Non Glare Reflector)
OPTION	Wireless Control (Bluetooth Module) 

TYPE OF LED	COB
INPUT VOLTAGE	220-240V AC , 50-60Hz (option : 100-240V AC , 50-60Hz)

OUTPUT POWER (W)	COLOR TEMPERATURE (K)	INPUT POWER (W)	SYSTEM EFFICIENCY (lm/w)	LUMINOUS FLUX (lm)	OUTPUT VOLTAGE (nominal)	COLOR RENDERING INDEX_CRI	OUTPUT CURRENT (mA)
● 3,000K	14W	12W	65 lm/w	916 lm	35V DC	80	350mA DC

OPERATING TEMPERATURE RANGE	-20 to +40 °C
MAINTENANCE OF LUMEN -L80	50,000 hours at 25 °C
COLOR RENDERING INDEX	80, 90
COLOR TEMPERATURE	○ 4,000K   ● 3,000K



TYPE OF LED : COB 



LED PENDANT LIGHT | LONGER

# Longer

Ø 35



POWER LED type allow to produce fixture of homogenous lighting performance and high-efficiency natural looking light.

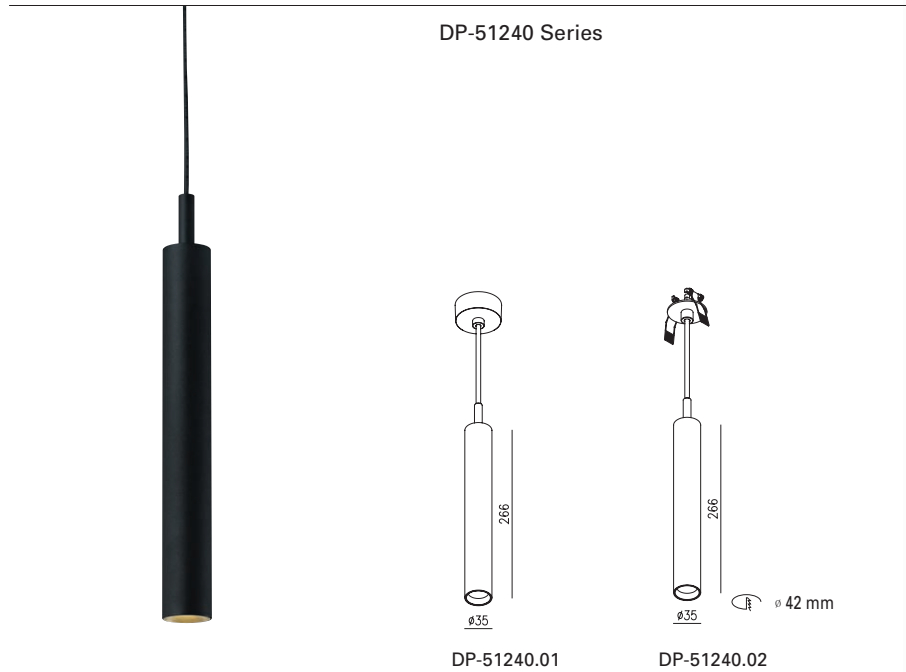
- Homogenous lighting performance with use POWER LED type.
- Color Temperature (3,000K / 4,000K)
- Color Rendering Index (80, 90)



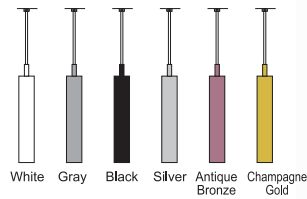



## Ø 35 Pendant Light

DP-51240 Series



TYPE OF LED : POWER LED



HOUSING AL. Extrude, Electrostatic Powder Coating  
 HEAT SINK AL. Extrude, Electrostatic Powder Coating  
 REFLECTOR LENS  
 OPTION Wireless Control (Bluetooth Module) 

TYPE OF LED POWER LED  
 INPUT VOLTAGE 220-240V AC , 50-60Hz (option : 100-240V AC , 50-60Hz)

INPUT POWER(W) 7W  
 OUTPUT POWER(W) 5W  
 SYSTEM EFFICIENCY (lm/W) 62 lm/W  
 LUMINOUS FLUX (lm) 451 lm  
 OUTPUT VOLTAGE (normal) 12V DC  
 OUTPUT CURRENT (mA) 450mA DC

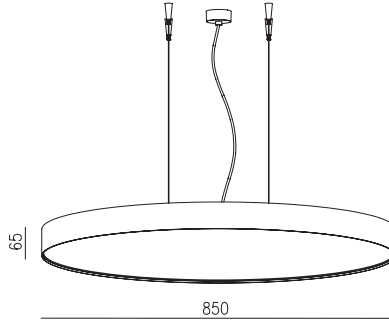
INSTALLATION OPTION



# Mond Pendant Light




DP-51330.01



TYPE OF LED : SMD 

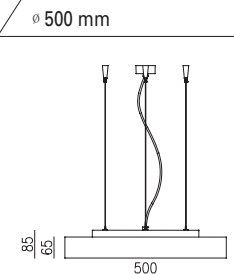
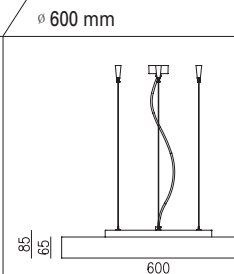
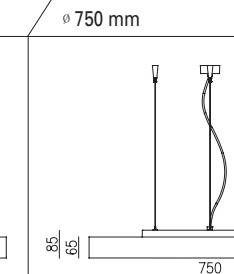
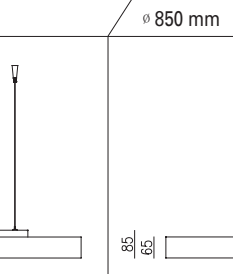
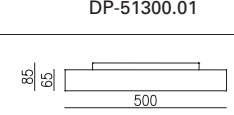
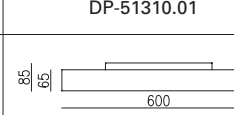
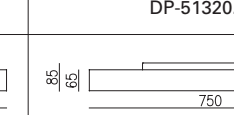
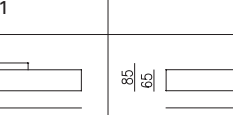


LED HOUSING AL. Extrude, Electrostatic Powder Coating  
 COVER PC  
 WIRE STS / PVC or PIPE  
 OPTION Wireless Control (Bluetooth Module) 

TYPE OF LED SMD (480 LED)  
 INPUT VOLTAGE 220-240V AC , 50-60Hz (option : 100-240V AC , 50/60Hz)

COLOR TEMPERATURE (K)	INPUT POWER (W)	OUTPUT POWER (W)	SYSTEM EFFICIENCY (lm/w)	LUMINOUS FLUX (lm)	OUTPUT VOLTAGE (nominal)	COLOR RENDERING INDEX_CRI	OUTPUT CURRENT (mA)
● 3,000K	80W	72W	82 lm/w	6,567 lm	102V DC	80	700mA DC

OPERATING TEMPERATURE RANGE -20 to +40 °C  
 MAINTENANCE OF LUMEN -L70 50,000 hours at 25°C  
 COLOR RENDERING INDEX 80, 90  
 COLOR TEMPERATURE ○ 5,000K ○ 4,000K ● 3,000K

	∅ 500 mm	∅ 600 mm	∅ 750 mm	∅ 850 mm
Pendant Type	 DP-51300.01	 DP-51310.01	 DP-51320.01	 DP-51330.01
Surface Mounted Type	 DP-51300.01-02	 DP-51310.01-02	 DP-51320.01-02	 DP-51330.01-02



DP-51330.01-02

# RAAT 2018 NEW LED LIGHTING

서울사무소 : 서울특별시 용산구 원호로97길 14 TEL 대\_02-711-8855 FAX 02-719-4818  
Homepage <http://www.dmlight.co.kr> E-mail [cs-team@dmlight.co.kr](mailto:cs-team@dmlight.co.kr)

**Dongmyung Lighting Co., Ltd.**

14, Wonhyo-ro 97-gil, Yongsan-gu, Seoul, Korea TEL 82-2-711-8855 FAX 82-2-713-3664  
Homepage <http://www.raat.co.kr> E-mail [dmlight@aat.co.kr](mailto:dmlight@aat.co.kr)/[dmlight@dmlight.co.kr](mailto:dmlight@dmlight.co.kr)