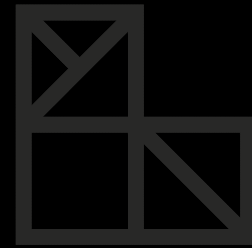


DESIGNED
SWITCHES

Lithoss



Sophisticated power.
Intelligent simplicity.
Functional, pure and high-end.
In perfect harmony
with every space:

Lithoss
designed pureness

Lithoss 



100% Belgian

Lithoss is an internationally renowned design company that has been manufacturing design switches for fifteen years now. Our products have been acclaimed the world over because of their unique design, functionality and soundness. This is evidenced by the numerous prestigious projects whereby one of our original products is resolutely opted for.



Belgian Design & Quality: get the best of both worlds.

We design, develop and manufacture our design light switches and related products from beginning to end in our own country. Our designers create and innovate. Passionate experts give shape to their ideas in accordance with the industry practices. All of these elements, combined with the fact that we only use premium materials, guarantee that our products are of extremely high quality.

Lithoss Select

timeless, sober and unique –
a design that turned into an
international trendsetter .



Lithoss Select is our renowned collection of hand-made switches and sockets. Thanks to its pure form, well-balanced dimensions and the exclusive, solid finish the collection has grown into an absolute standard with a timeless character.

The collection is available in fair, real materials, such as Stainless steel, Bronze, Nickel, Copper & Brass.

The development of the Select range has clearly left its mark on our current vision and mission:


we want to be an innovative trendsetter focussing on 'pure' design, aesthetics, the connection with the space, 'real' materials, a high degree of craftsmanship, flexibility and functionality.

Living Textures

The Lithoss DNA translates into unique, hand-made products. Gunpowder black and Tin antique are just two examples whereby the secret of the unique production formula is passed on from generation to generation.

Our vivid textures are created via manual processes, such as sanding and polishing, and galvanic operations in etching baths.

Treated with care and feeling, these surfaces play with the light. The colour and the colour perception differ depending on the incidence of light and the angle the surfaces are viewed from.



The living textures create rich, subtle accents in any interior – rustic, contemporary, design or château.



Lithoss Design, Tradition & Craftmanship

Lithoss never stands still and stays up-to-date on the ins and outs of the world of interior design, architecture, lighting, home automation and lifestyle.

In the past few years this has resulted in a number of remarkable concepts and designs.

Cockpit is a collection with a sleek design and a contemporary touch of vintage. The fact that we are rightfully proud of our craftsmanship is furthermore expressed in the unique matching handles with cone and knurl shape. The knurl design gives shape both to the cockpit and the dimmer switch and testifies to the real craftsmanship. Of course Cockpit is available in all the well-known Lithoss Select finishes.

Another original Lithoss design is **Piano**, created by David Dos Santos, a very talented designer from Belgium. The range is based on the 'soft keys' of a piano. Piano has a unique touch & feel thanks to the premium, mineral-enriched composite material.

For those who want to move away from traditional switches there is our unique **ÆSTEEM** range, which lets you control the lighting by the principle of swiping as with a tablet or smartphone. Although this is quite an innovative approach, the design fully retains its pure character.

The pinnacle of craftsmanship however is the exclusive and beautiful collection **Select** by Ingrid Adriaenssens. This famous jewellery designer from Ghent created sophisticated switches in her very own specific style, turning the switches into pieces of art.



DESIGN PLUS



reddot design award
winner 2011



The Lithoss
designs have won
several awards.

The Art of Symbiosis

Lithoss products shine in any setting; as stand-alone object or – not in the least – as a group, in perfect harmony with architectural spaces.

The things that provide Lithoss with its unique and exclusive character are the practically endless possibilities regarding functionality, finish, recessed or surface-mounted installation, combination options and personalisation.

Do you have a preference for a certain finish? Would you like to have another push button? Maybe one with a personal engraving? With an assorted door handle in compatible dimensions? Lithoss draws inspiration from you. Transform your interior into one

sleek entity by means of the 'flush' option, which allows you to integrate the switches in the wall thanks to a new mounting method – easier than ever before and highly recommended.

Next to the formal aspects, Lithoss also offers a broad range of different applications. Switches, sockets, USB chargers, sensors and thermostats, possibly linked to the most advanced home automation systems: Lithoss makes it happen.

For example, we have a fully integrated KNX sensor offering an extensive range of possibilities for the sleek finish of a beautifully integrated switch/sensor.

Thanks to its ample options and many combination possibilities Lithoss has gained a strong reputation in the project market. After all, being able to choose a concept that can be integrated throughout is of crucial importance in this specific domain.

Meanwhile, Lithoss has built up an international record of references in the Home & Hospitality project market:

- Waldorf Astoria Berlin • Armani hotel Dubai
- VOX hotel Sweden • Fendi hotel Milano
- Boutique hotel Qatar • Monot hotel Beirut
- Marriott hotel Pune & Mumbai
- La Reserve Knokke • ...

**Armani
hotel Dubai**

MASTER
OFF

Impressions

Next to the broad range of designs, materials and functionalities, the Lithoss products can also be inscribed or engraved if desired.



Engravings

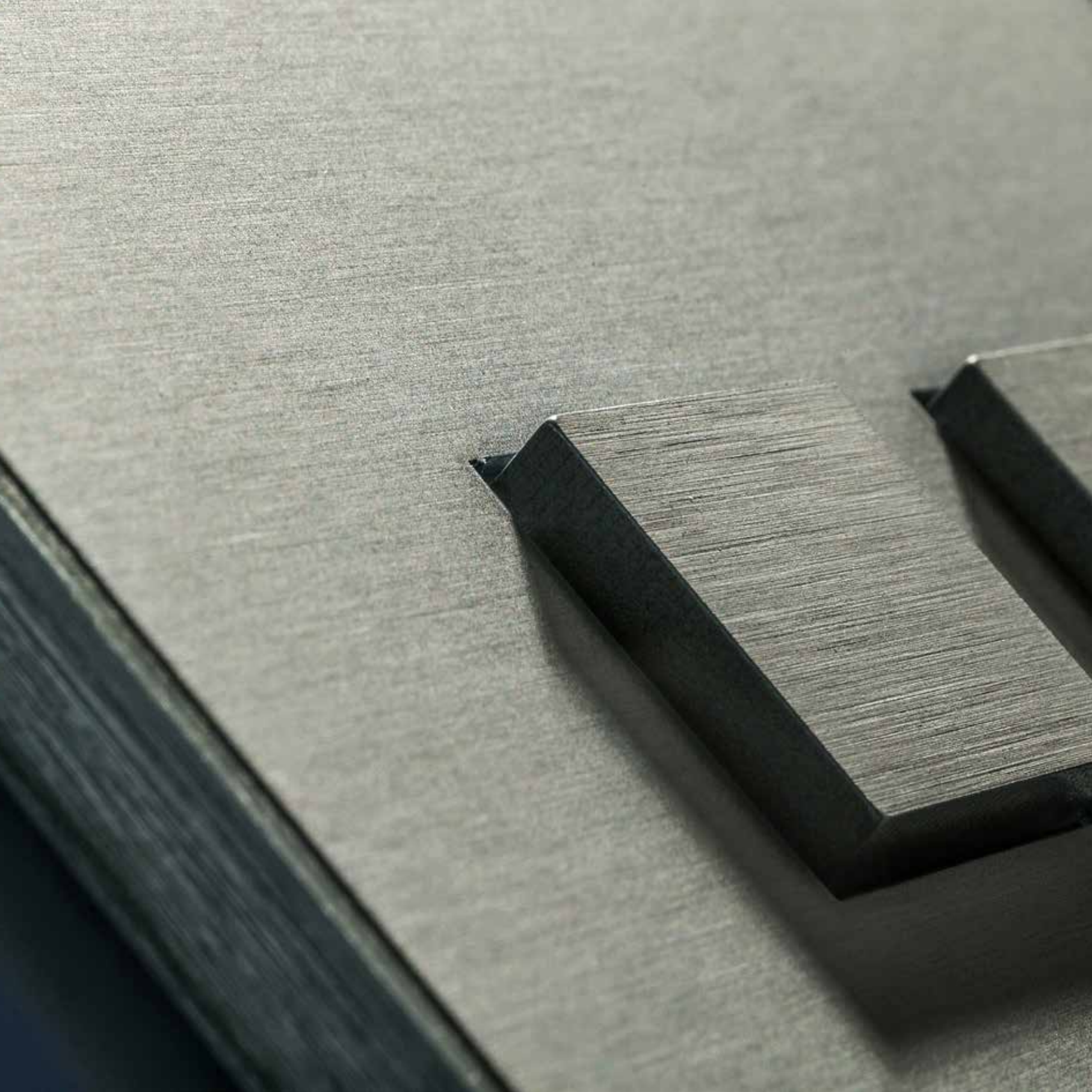
Engravings fit in perfectly with Lithoss's quest for purity, precision, substance, class, visual power and tactile finesse.

The engraving is done by means of a top-notch diode-pumped fibre laser, whereby the laser beam marks the metals with surgical precision. Superficial or more in depth, with different intensities. This results in a whole range of diverse effects.

For example, by locally burning the surface of our Bronze antique the engravings will turn black and will be discretely visible on the cover plate. By burning deeper, the brass basic material becomes visible. This is a real added value to our products: you do not only see the power of our materials, you can feel it too. The options are manifold.

Braille

Do not hesitate to ask us about the possibilities regarding braille inscriptions. The synthetic braille inserts are available in colours: black, white and transparent.



The
collection

Index



01. Cockpit

— switch on



p. 16



02. Æsteem

— turns you on



p. 34



03. Select

— timeless classic



p. 40



07. Dimmer

— craftsmanship

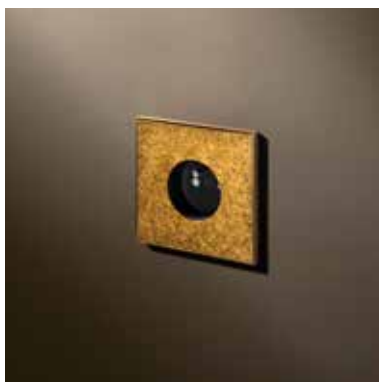


p. 106



08. Void

— sockets & modules



p. 112



09. Piano

— surprisingly innovative



p. 140

Configure your product at configurator.lithoss.com



04. Britannica

British standard & co



p. 72



05. Illume

vivid imagination



p. 78



06. Squares

contemporary



p. 88



10. Luminaires

enlightened spirits



p. 148



11. Supernova

specials

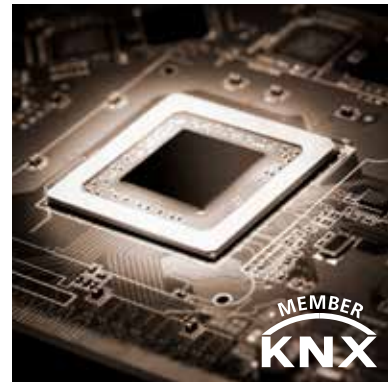


p. 162



Technology

endless possibilities



p. 170

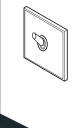
Lithoss

01. Cockpit

Design by Lithoss

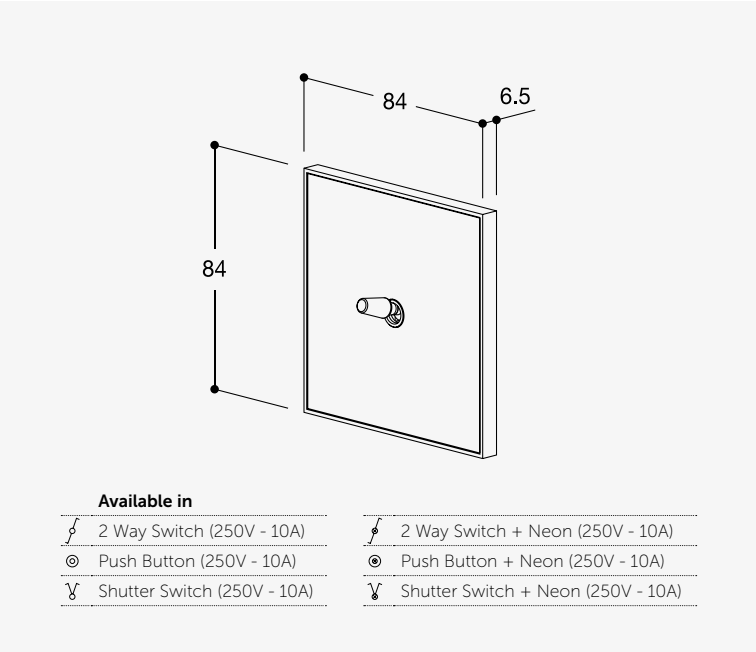
Cockpit offers the ultimate design solution for all your renovation projects. This 10-ampere two-way switch can be connected directly to your conventional installation. Cockpit is available in the well-known stylish Lithoss Select finishes, including the collection's bestseller Bronze Antique and public's favourite Tin Antique. Finishes that generate a striking effect in both traditional and ultramodern interiors.

The unique character of this cockpit switch is not only expressed in the handmade finishing but also in the matching caps & toggles. The cone shape creates a classic and timeless look whereas the knurl shape gives your switch that highly appreciated touch of vintage.





Cockpit



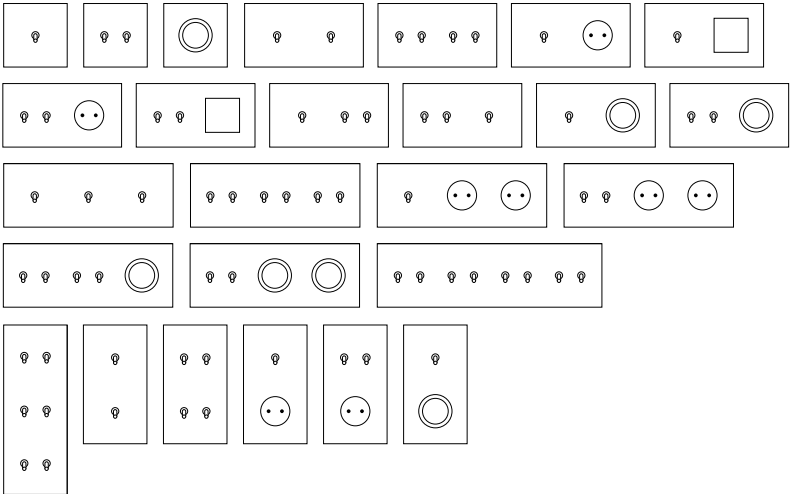
Combine

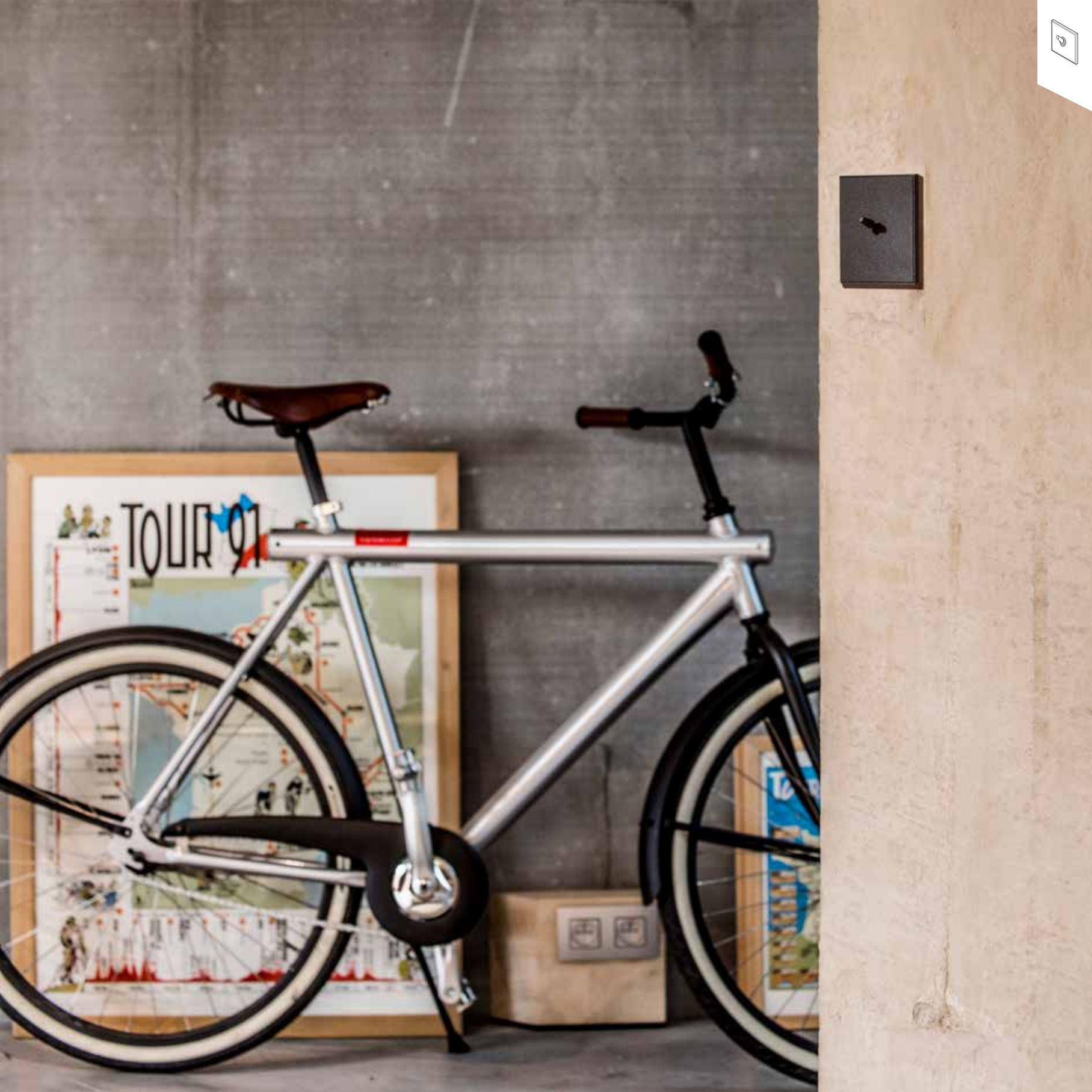


Ever thought about combining? Both Void and Dimmer work great



with Cockpit. For combinations and personalisation on demand, check page 222.







Cockpit

30 Stainless Steel + Textured Black



1C



| | Without Neon | Ref. |
|--|--------------|--------|
| | 2 Way | Co1130 |
| | Push Button | Co3130 |
| | Shutter | Co2130 |

| | With Neon | Ref. |
|--|-------------|--------|
| | 2 Way | Co4130 |
| | Push Button | Co6130 |
| | Shutter | Co5130 |

2C



| | Without Neon | Ref. |
|--|--------------|--------|
| | 2 Way | Co1230 |
| | Push Button | Co3230 |
| | Shutter | Co2230 |

| | With Neon | Ref. |
|--|-------------|--------|
| | 2 Way | Co4230 |
| | Push Button | Co6230 |
| | Shutter | Co5230 |

37 Brushed Brass + Brass Knurl



1C



| | Without Neon | Ref. |
|--|--------------|--------|
| | 2 Way | Co1137 |
| | Push Button | Co3137 |
| | Shutter | Co2137 |

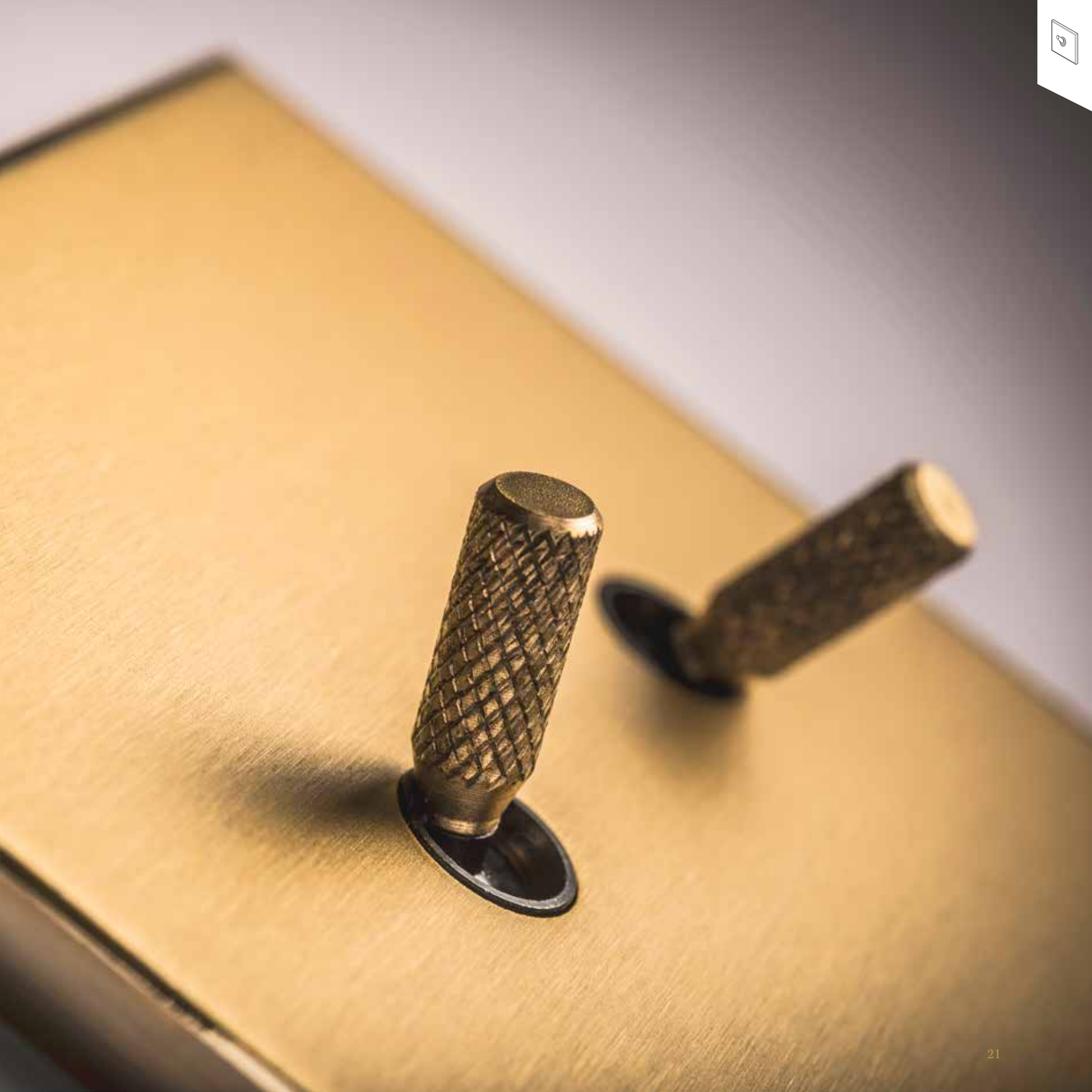
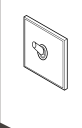
| | With Neon | Ref. |
|--|-------------|--------|
| | 2 Way | Co4137 |
| | Push Button | Co6137 |
| | Shutter | Co5137 |

2C



| | Without Neon | Ref. |
|--|--------------|--------|
| | 2 Way | Co1237 |
| | Push Button | Co3237 |
| | Shutter | Co2237 |

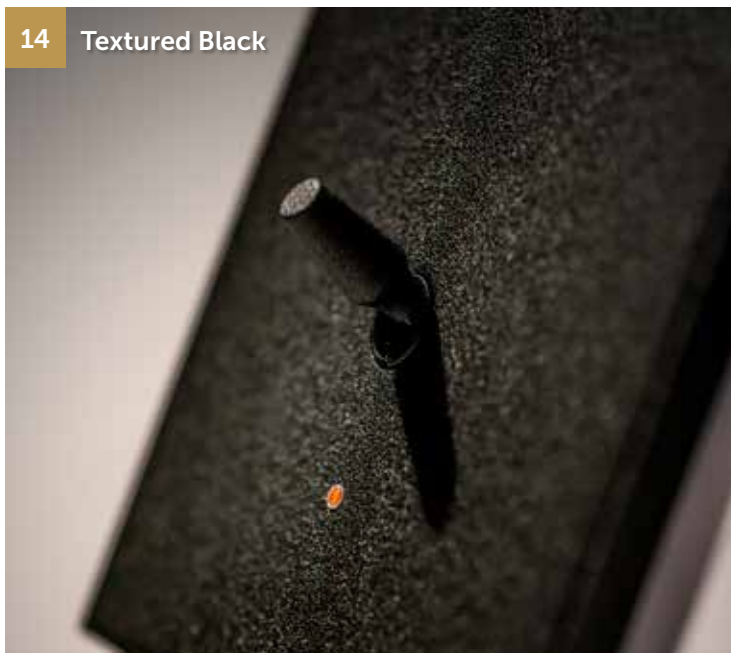
| | With Neon | Ref. |
|--|-------------|--------|
| | 2 Way | Co4237 |
| | Push Button | Co6237 |
| | Shutter | Co5237 |





Cockpit

14 Textured Black



1C



| | Without Neon | Ref. |
|--|--------------|--------|
| | 2 Way | Co1114 |
| | Push Button | Co3114 |
| | Shutter | Co2114 |

| | With Neon | Ref. |
|--|-------------|--------|
| | 2 Way | Co4114 |
| | Push Button | Co6114 |
| | Shutter | Co5114 |

2C



| | Without Neon | Ref. |
|--|--------------|--------|
| | 2 Way | Co1214 |
| | Push Button | Co3214 |
| | Shutter | Co2214 |

| | With Neon | Ref. |
|--|-------------|--------|
| | 2 Way | Co4214 |
| | Push Button | Co6214 |
| | Shutter | Co5214 |

32 Textured Black + Nickel Knurl



1C



| | Without Neon | Ref. |
|--|--------------|--------|
| | 2 Way | Co1132 |
| | Push Button | Co3132 |
| | Shutter | Co2132 |

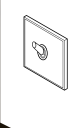
| | With Neon | Ref. |
|--|-------------|--------|
| | 2 Way | Co4132 |
| | Push Button | Co6132 |
| | Shutter | Co5132 |

2C



| | Without Neon | Ref. |
|--|--------------|--------|
| | 2 Way | Co1232 |
| | Push Button | Co3232 |
| | Shutter | Co2232 |

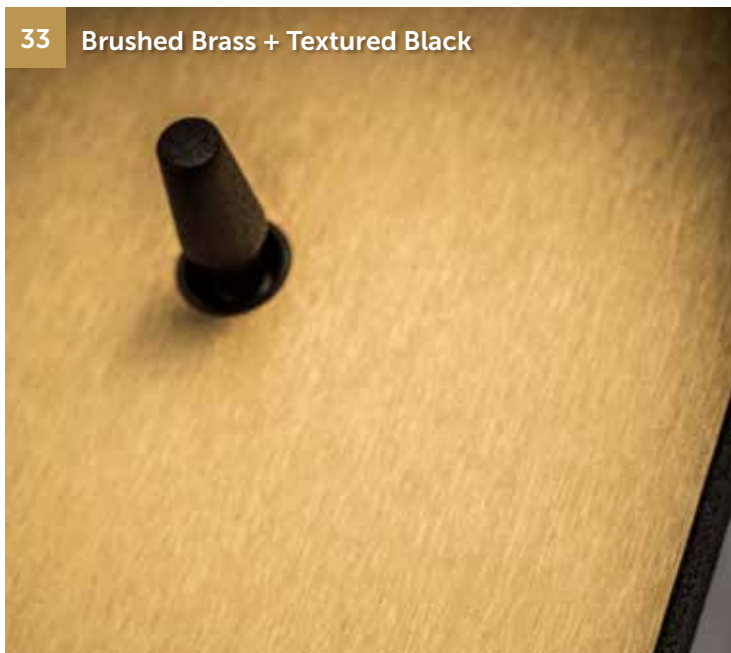
| | With Neon | Ref. |
|--|-------------|--------|
| | 2 Way | Co4232 |
| | Push Button | Co6232 |
| | Shutter | Co5232 |





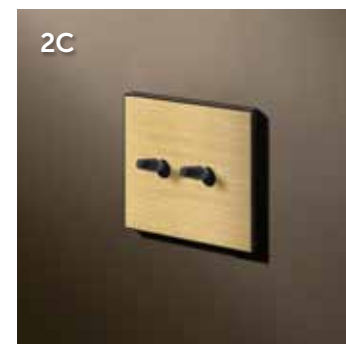
Cockpit

33 Brushed Brass + Textured Black



| | Without Neon | Ref. |
|--|--------------|--------|
| | 2 Way | Co1133 |
| | Push Button | Co3133 |
| | Shutter | Co2133 |

| | With Neon | Ref. |
|--|-------------|--------|
| | 2 Way | Co4133 |
| | Push Button | Co6133 |
| | Shutter | Co5133 |



| | Without Neon | Ref. |
|--|--------------|--------|
| | 2 Way | Co1233 |
| | Push Button | Co3233 |
| | Shutter | Co2233 |

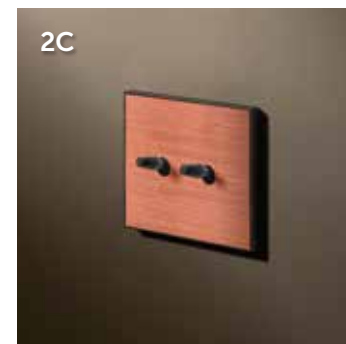
| | With Neon | Ref. |
|--|-------------|--------|
| | 2 Way | Co4233 |
| | Push Button | Co6233 |
| | Shutter | Co5233 |

34 Copper + Textured Black



| | Without Neon | Ref. |
|--|--------------|--------|
| | 2 Way | Co1134 |
| | Push Button | Co3134 |
| | Shutter | Co2134 |

| | With Neon | Ref. |
|--|-------------|--------|
| | 2 Way | Co4134 |
| | Push Button | Co6134 |
| | Shutter | Co5134 |



| | Without Neon | Ref. |
|--|--------------|--------|
| | 2 Way | Co1234 |
| | Push Button | Co3234 |
| | Shutter | Co2234 |

| | With Neon | Ref. |
|--|-------------|--------|
| | 2 Way | Co4234 |
| | Push Button | Co6234 |
| | Shutter | Co5234 |

02 Matt White



1C



| | Without Neon | Ref. |
|--|--------------|--------|
| | 2 Way | Co1102 |
| | Push Button | Co3102 |
| | Shutter | Co2102 |

| | With Neon | Ref. |
|--|-------------|--------|
| | 2 Way | Co4102 |
| | Push Button | Co6102 |
| | Shutter | Co5102 |

2C



| | Without Neon | Ref. |
|--|--------------|--------|
| | 2 Way | Co1202 |
| | Push Button | Co3202 |
| | Shutter | Co2202 |

| | With Neon | Ref. |
|--|-------------|--------|
| | 2 Way | Co4202 |
| | Push Button | Co6202 |
| | Shutter | Co5202 |

35 Matt White + Textured Black Cone



1C



| | Without Neon | Ref. |
|--|--------------|--------|
| | 2 Way | Co1135 |
| | Push Button | Co3135 |
| | Shutter | Co2135 |

| | With Neon | Ref. |
|--|-------------|--------|
| | 2 Way | Co4135 |
| | Push Button | Co6135 |
| | Shutter | Co5135 |

2C



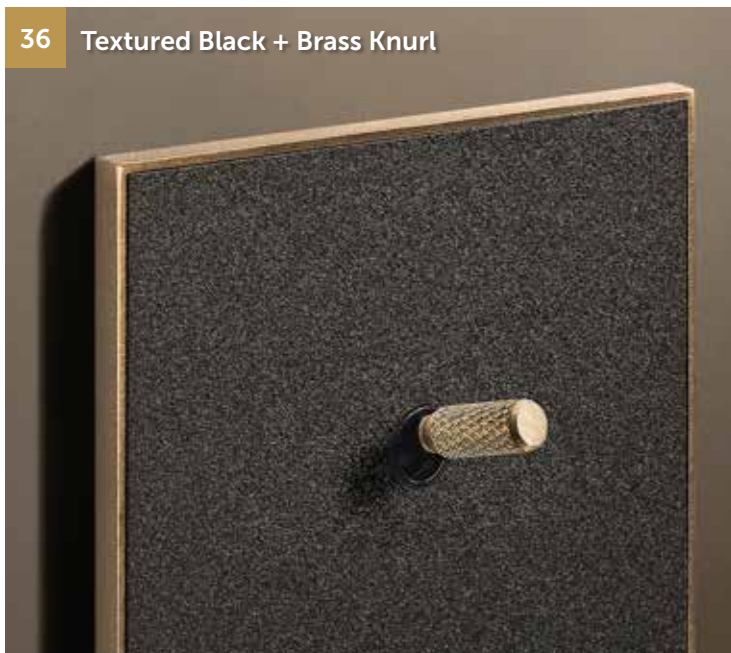
| | Without Neon | Ref. |
|--|--------------|--------|
| | 2 Way | Co1235 |
| | Push Button | Co3235 |
| | Shutter | Co2235 |

| | With Neon | Ref. |
|--|-------------|--------|
| | 2 Way | Co4235 |
| | Push Button | Co6235 |
| | Shutter | Co5235 |



Cockpit

36 Textured Black + Brass Knurl



1C



| | Without Neon | Ref. |
|--|--------------|--------|
| | 2 Way | Co1136 |
| | Push Button | Co3136 |
| | Shutter | Co2136 |

| | With Neon | Ref. |
|--|-------------|--------|
| | 2 Way | Co4136 |
| | Push Button | Co6136 |
| | Shutter | Co5136 |

2C



| | Without Neon | Ref. |
|--|--------------|--------|
| | 2 Way | Co1236 |
| | Push Button | Co3236 |
| | Shutter | Co2236 |

| | With Neon | Ref. |
|--|-------------|--------|
| | 2 Way | Co4236 |
| | Push Button | Co6236 |
| | Shutter | Co5236 |

31 Matt White + Textured Black



1C



| | Without Neon | Ref. |
|--|--------------|--------|
| | 2 Way | Co1131 |
| | Push Button | Co3131 |
| | Shutter | Co2131 |

| | With Neon | Ref. |
|--|-------------|--------|
| | 2 Way | Co4131 |
| | Push Button | Co6131 |
| | Shutter | Co5131 |

2C



| | Without Neon | Ref. |
|--|--------------|--------|
| | 2 Way | Co1231 |
| | Push Button | Co3231 |
| | Shutter | Co2231 |

| | With Neon | Ref. |
|--|-------------|--------|
| | 2 Way | Co4231 |
| | Push Button | Co6231 |
| | Shutter | Co5231 |

38 Stainless Steel + Nickel Knurl



| | Without Neon | Ref. |
|--|--------------|--------|
| | 2 Way | Co1138 |
| | Push Button | Co3138 |
| | Shutter | Co2138 |

| | With Neon | Ref. |
|--|-------------|--------|
| | 2 Way | Co4138 |
| | Push Button | Co6138 |
| | Shutter | Co5138 |

| | Without Neon | Ref. |
|--|--------------|--------|
| | 2 Way | Co1238 |
| | Push Button | Co3238 |
| | Shutter | Co2238 |

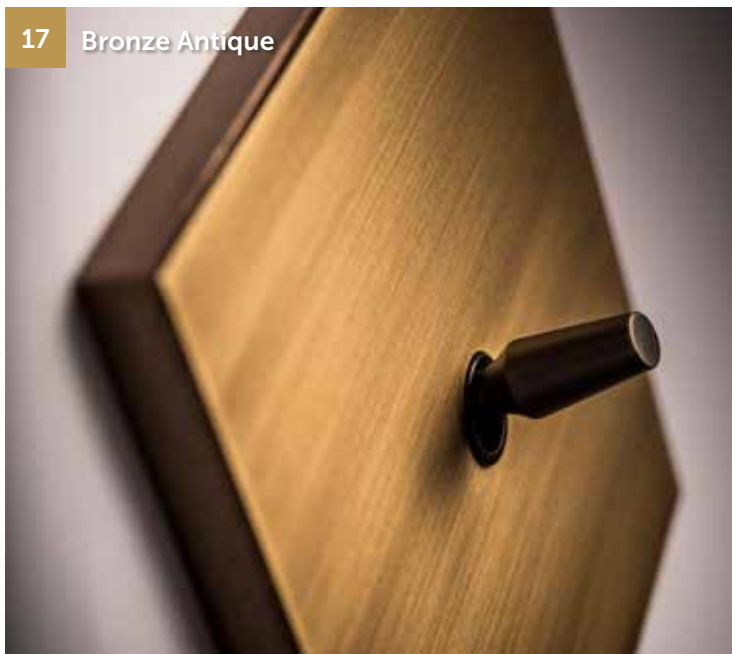
| | With Neon | Ref. |
|--|-------------|--------|
| | 2 Way | Co4238 |
| | Push Button | Co6238 |
| | Shutter | Co5238 |





Cockpit

17 Bronze Antique



1C



2C

| | Without Neon | Ref. |
|--|--------------|--------|
| | 2 Way | Co1117 |
| | Push Button | Co3117 |
| | Shutter | Co2117 |
| | With Neon | Ref. |
| | 2 Way | Co4117 |
| | Push Button | Co6117 |
| | Shutter | Co5117 |

| | Without Neon | Ref. |
|--|--------------|--------|
| | 2 Way | Co1217 |
| | Push Button | Co3217 |
| | Shutter | Co2217 |
| | With Neon | Ref. |
| | 2 Way | Co4217 |
| | Push Button | Co6217 |
| | Shutter | Co5217 |



39 Bronze Antique + Brass Knurl



1C



| | Without Neon | Ref. |
|--|--------------|--------|
| | 2 Way | Co1139 |
| | Push Button | Co3139 |
| | Shutter | Co2139 |

| | With Neon | Ref. |
|--|-------------|--------|
| | 2 Way | Co4139 |
| | Push Button | Co6139 |
| | Shutter | Co5139 |

2C



| | Without Neon | Ref. |
|--|--------------|--------|
| | 2 Way | Co1239 |
| | Push Button | Co3239 |
| | Shutter | Co2239 |

| | With Neon | Ref. |
|--|-------------|--------|
| | 2 Way | Co4239 |
| | Push Button | Co6239 |
| | Shutter | Co5239 |

40 Brass Antique



1C



| | Without Neon | Ref. |
|--|--------------|--------|
| | 2 Way | Co1140 |
| | Push Button | Co3140 |
| | Shutter | Co2140 |

| | With Neon | Ref. |
|--|-------------|--------|
| | 2 Way | Co4140 |
| | Push Button | Co6140 |
| | Shutter | Co5140 |

2C



| | Without Neon | Ref. |
|--|--------------|--------|
| | 2 Way | Co1240 |
| | Push Button | Co3240 |
| | Shutter | Co2240 |

| | With Neon | Ref. |
|--|-------------|--------|
| | 2 Way | Co4240 |
| | Push Button | Co6240 |
| | Shutter | Co5240 |



Cockpit

41 Gunpowder Black (Fusain)



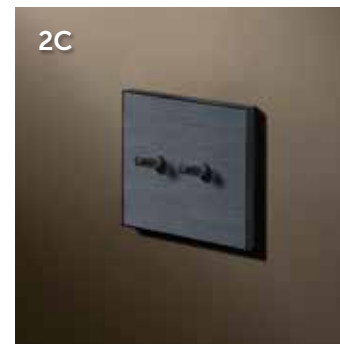
1C



| | Without Neon | Ref. |
|--|--------------|--------|
| | 2 Way | Co1141 |
| | Push Button | Co3141 |
| | Shutter | Co2141 |

| | With Neon | Ref. |
|--|-------------|--------|
| | 2 Way | Co4141 |
| | Push Button | Co6141 |
| | Shutter | Co5141 |

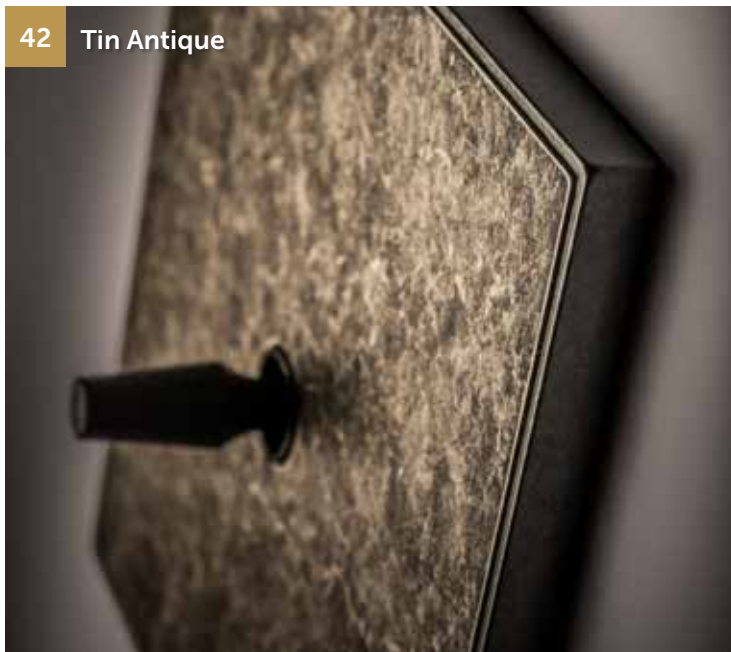
2C



| | Without Neon | Ref. |
|--|--------------|--------|
| | 2 Way | Co1241 |
| | Push Button | Co3241 |
| | Shutter | Co2241 |

| | With Neon | Ref. |
|--|-------------|--------|
| | 2 Way | Co4241 |
| | Push Button | Co6241 |
| | Shutter | Co5241 |

42 Tin Antique



1C



| | Without Neon | Ref. |
|--|--------------|--------|
| | 2 Way | Co1142 |
| | Push Button | Co3142 |
| | Shutter | Co2142 |

| | With Neon | Ref. |
|--|-------------|--------|
| | 2 Way | Co4142 |
| | Push Button | Co6142 |
| | Shutter | Co5142 |

2C



| | Without Neon | Ref. |
|--|--------------|--------|
| | 2 Way | Co1242 |
| | Push Button | Co3242 |
| | Shutter | Co2242 |

| | With Neon | Ref. |
|--|-------------|--------|
| | 2 Way | Co4242 |
| | Push Button | Co6242 |
| | Shutter | Co5242 |

09 Nickel



1C



| | Without Neon | Ref. |
|--|--------------|--------|
| | 2 Way | Co1109 |
| | Push Button | Co3109 |
| | Shutter | Co2109 |

| | With Neon | Ref. |
|--|-------------|--------|
| | 2 Way | Co4109 |
| | Push Button | Co6109 |
| | Shutter | Co5109 |

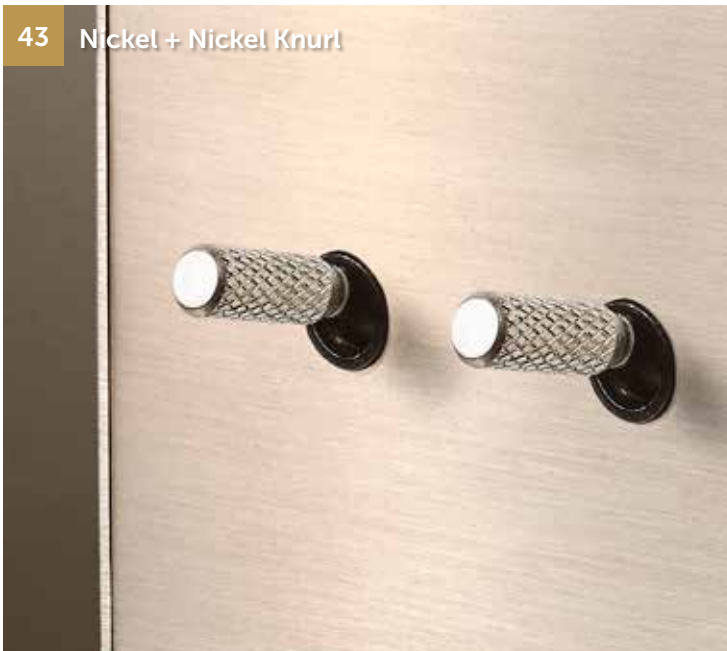
2C



| | Without Neon | Ref. |
|--|--------------|--------|
| | 2 Way | Co1209 |
| | Push Button | Co3209 |
| | Shutter | Co2209 |

| | With Neon | Ref. |
|--|-------------|--------|
| | 2 Way | Co4209 |
| | Push Button | Co6209 |
| | Shutter | Co5209 |

43 Nickel + Nickel Knurl



1C



| | Without Neon | Ref. |
|--|--------------|--------|
| | 2 Way | Co1143 |
| | Push Button | Co3143 |
| | Shutter | Co2143 |

| | With Neon | Ref. |
|--|-------------|--------|
| | 2 Way | Co4143 |
| | Push Button | Co6143 |
| | Shutter | Co5143 |

2C



| | Without Neon | Ref. |
|--|--------------|--------|
| | 2 Way | Co1243 |
| | Push Button | Co3243 |
| | Shutter | Co2243 |

| | With Neon | Ref. |
|--|-------------|--------|
| | 2 Way | Co4243 |
| | Push Button | Co6243 |
| | Shutter | Co5243 |

Cockpit

Setups & combinations

| | Technology | Ref. | | Ref. |
|------|----------------------|----------|-------|------------|
| 1C | 250V 2-way | Co11xx | 12C | Co1112xx |
| | 250V shutter | Co21xx | | Co2122xx |
| | 24V-250V push button | Co31xx | | Co3132xx |
| | 250V 2-way + neon | Co41xx | | Co4142xx |
| | 250V shutter + neon | Co51xx | | Co5152xx |
| 2C | 24V-250V push + neon | Co61xx | 22C | Co6162xx |
| | 250V 2-way | Co12xx | | Co1212xx |
| | 250V shutter | Co22xx | | Co2222xx |
| | 24V-250V push button | Co32xx | | Co3232xx |
| 11C | 250V 2-way + neon | Co42xx | 111C | Co4242xx |
| | 250V shutter + neon | Co52xx | | Co5252xx |
| | 24V-250V push + neon | Co62xx | | Co6262xx |
| | 250V 2-way | Co1111xx | | Co111111xx |
| 21C | 250V shutter | Co2121xx | 222C | Co212121xx |
| | 24V-250V push button | Co3131xx | | Co313131xx |
| | 250V 2-way + neon | Co4141xx | | Co414141xx |
| | 250V shutter + neon | Co5151xx | | Co515151xx |
| 111C | 24V-250V push + neon | Co6161xx | 1111C | Co616161xx |
| | 250V 2-way | Co1211xx | | Co121212xx |
| | 250V shutter | Co2221xx | | Co222222xx |
| | 24V-250V push button | Co3231xx | | Co323232xx |
| 211C | 250V 2-way + neon | Co4241xx | 2222C | Co424242xx |
| | 250V shutter + neon | Co5251xx | | Co525252xx |
| | 24V-250V push + neon | Co6261xx | | Co626262xx |

xx Add the color code at the end for any finish you desire.
 * Add V behind the article code for vertical installation of plate.

| | Frame A ⁽¹⁾ | Frame B ⁽¹⁾ | Frame C ⁽¹⁾ | |
|------|------------------------|------------------------|------------------------|-----------|
| 1CMG | Co110Axx | Co110Bxx | Co110Cxx | |
| | Co210Axx | Co210Bxx | Co210Cxx | |
| | Co310Axx | Co310Bxx | Co310Cxx | |
| | Co410Axx | Co410Bxx | Co410Cxx | |
| | Co510Axx | Co510Bxx | Co510Cxx | |
| | Co610Axx | Co610Bxx | Co610Cxx | |
| EU | | FR/BE | | |
| | White | Black | White | Black |
| 2C2V | Co120Z0xx | Co120Y0xx | Co120X0xx | Co120W0xx |
| | Co220Z0xx | Co220Y0xx | Co220X0xx | Co220W0xx |
| | Co320Z0xx | Co320Y0xx | Co320X0xx | Co320W0xx |
| | Co420Z0xx | Co420Y0xx | Co420X0xx | Co420W0xx |
| | Co520Z0xx | Co520Y0xx | Co520X0xx | Co520W0xx |
| | Co620Z0xx | Co620Y0xx | Co620X0xx | Co620W0xx |



How to compose

2x shutter switch

2x socket EU (Schuko) Black

Finish: Tin Antique (42)

Co220Y0Y42

⁽¹⁾ Overview frames and compatible modules on page 218.

— Dimensions & wall boxes: see technical guide on page 200-202.



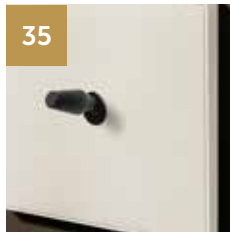
Cockpit

Colors



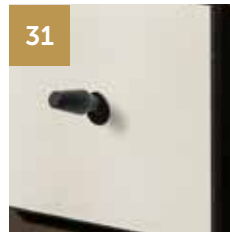
02

Matt White RAL9010



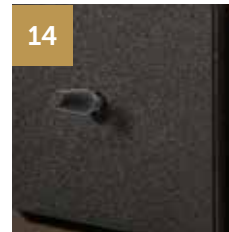
35

Matt White + Text. Black cone



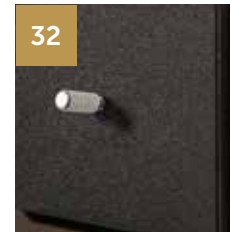
31

Matt White + Textured Black



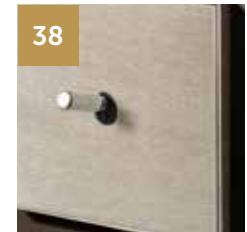
14

Textured Black



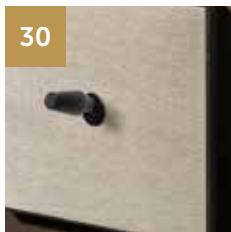
32

Textured Black + Nickel Knurl



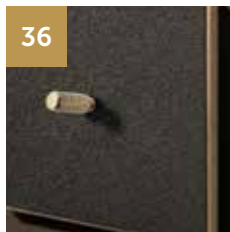
38

Stainless Steel + Nickel Knurl



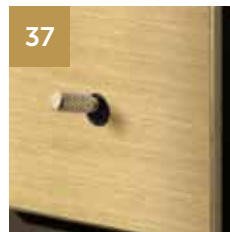
30

Stainless Steel + Text. Black



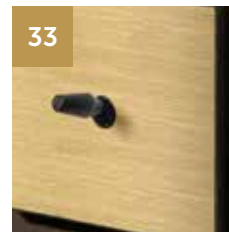
36

Textured Black + Brass



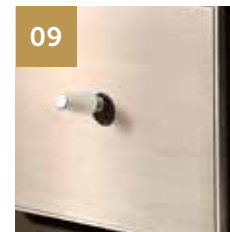
37

Brushed Brass + Knurl



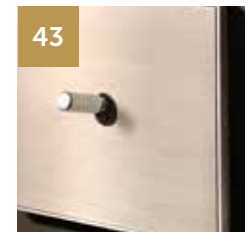
33

Brushed Brass + Text. Black



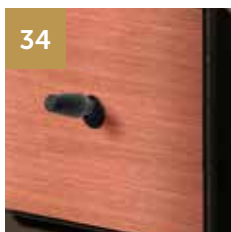
09

Nickel



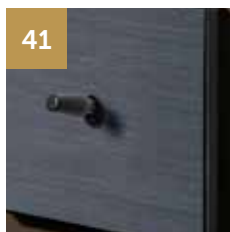
43

Nickel Knurl



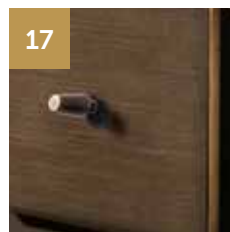
34

Cu29 + Textured Black



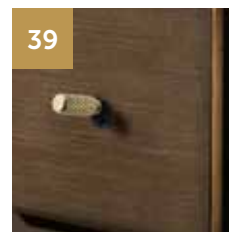
41

Gunpowder Black (Fusain)



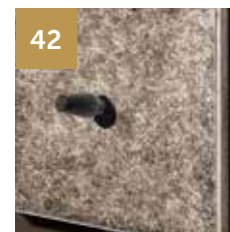
17

Bronze Antique



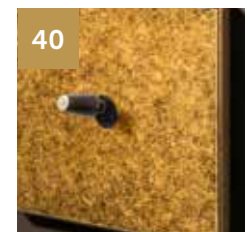
39

Bronze Antique + Brass Knurl



42

Tin Antique



40

Brass Antique

— Get in touch for combinations and personalisation on demand.

Lithoss

02. Æsteem

Design by Pieter Stichelbaut & Matthias De Buck

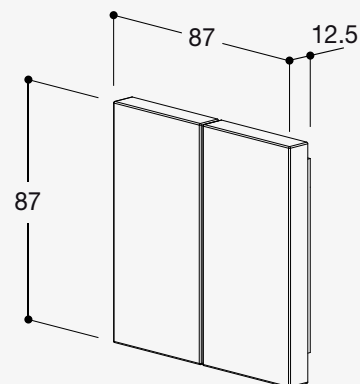
ÆSTEEM - a compound of 'aesthetics' and 'esteem' - is a promising product. In 2014 it was awarded the Henry van de Velde label. That same year ÆSTEEM also received an A Design Award. This is, amongst others, thanks to the switch's sleek, architectural look. Similar to all of the other Lithoss products, ÆSTEEM has a very distinctive design with the square as basic form.

The design is inspired by our daily actions on our mobile devices, i.e. 'Touch and Swipe'. ÆSTEEM translates these movements into a light switch, without losing the mechanical feeling of pushing the button of that switch. You can feel and hear the motion by swiping your finger from the top of the switch to the bottom. The switch meets all the present-day requirements without having to compromise on authenticity and craftsmanship.





13 Textured White



Available in

- ⊙ 24V Push Button
- ⊙ 24V Push Button + feedback RGB led
- ⊙ 24V Push Button + orientation RGB led
- ⊙ 24V Push Button + orientation & feedback RGB led



Swipe to switch on



Orientation led (7 colors possible)



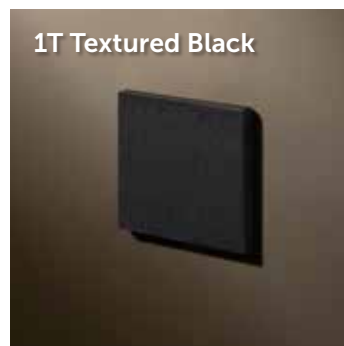
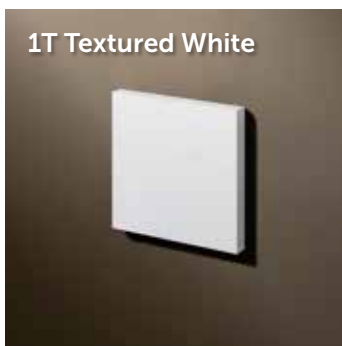
Feedback led (7 colors possible)



Orientation + feedback led

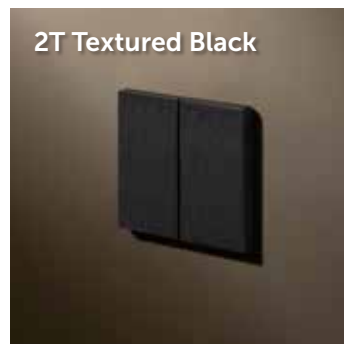
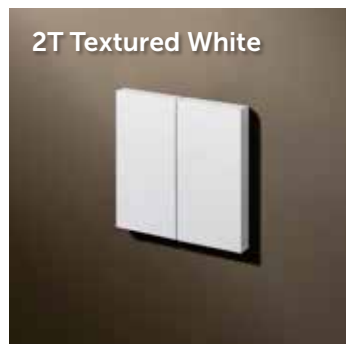


— Dimensions & wall boxes: see technical guide on page 200-202.



| Type | Ref. |
|--------------------------------------|--------|
| 24V | Ae3113 |
| 24V + feedback RGB led | Ae9113 |
| 24V + orientation RGB led | AeG113 |
| 24V + orientation & feedback RGB led | AeH113 |

| Type | Ref. |
|--------------------------------------|--------|
| 24V | Ae3114 |
| 24V + feedback RGB led | Ae9114 |
| 24V + orientation RGB led | AeG114 |
| 24V + orientation & feedback RGB led | AeH114 |



| Type | Ref. |
|--------------------------------------|--------|
| 24V | Ae3213 |
| 24V + feedback RGB led | Ae9213 |
| 24V + orientation RGB led | AeG213 |
| 24V + orientation & feedback RGB led | AeH213 |

| Type | Ref. |
|--------------------------------------|--------|
| 24V | Ae3214 |
| 24V + feedback RGB led | Ae9214 |
| 24V + orientation RGB led | AeG214 |
| 24V + orientation & feedback RGB led | AeH214 |



Aesteem

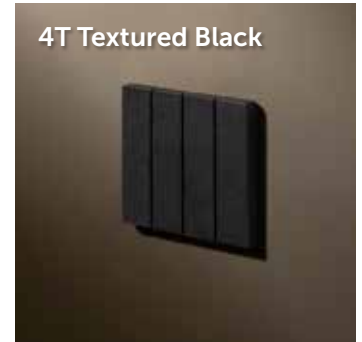
14 Textured Black



4T Textured White



4T Textured Black



| Type | Ref. |
|--------------------------------------|--------|
| 24V | Ae3413 |
| 24V + feedback RGB led | Ae9413 |
| 24V + orientation RGB led | AeG413 |
| 24V + orientation & feedback RGB led | AeH413 |

| Type | Ref. |
|--------------------------------------|--------|
| 24V | Ae3414 |
| 24V + feedback RGB led | Ae9414 |
| 24V + orientation RGB led | AeG414 |
| 24V + orientation & feedback RGB led | AeH414 |



13 MG Textured White



Frame



B (Legrand/Hager/Peha)

Ae0B13

14 MG Textured Black



Frame



B (Legrand/Hager/Peha)

Ae0B14

Lithoss

03. Select

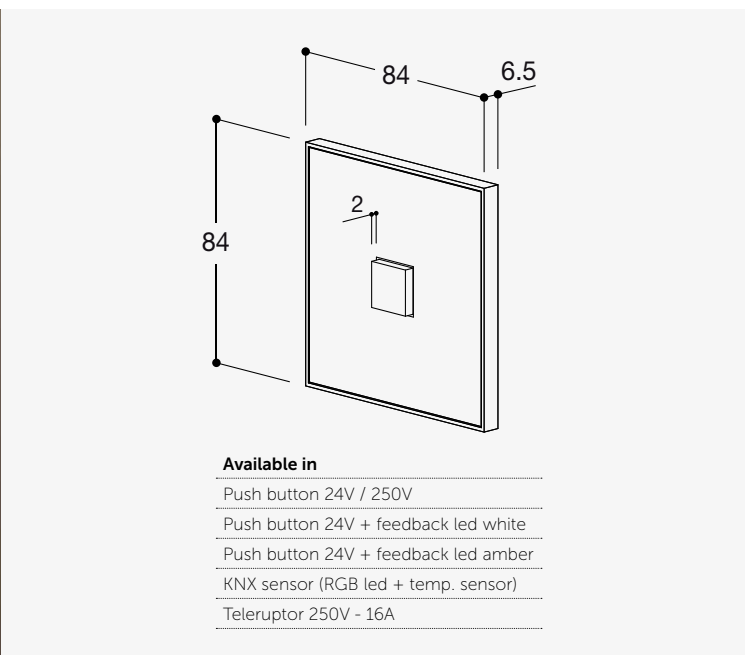
Design by Bart Spillemaeckers

Lithoss was founded at the beginning of the century by installer Bart Spillemaeckers in response to the demand for exclusive, timeless and classy switches. SELECT was the first series within the Lithoss product range. It is and will always be a unique selection with a timeless design. Meanwhile, SELECT has turned into an international trendsetter with an impressive track record of reference projects, including the five-star hotel Waldorf Astoria Berlin and Armani Hotel Dubai (Burj Khalifa).

The series consists of a spectrum of 13 very diverse finishes, which allow you to really customise your SELECT switches. The cover plates for example are available in any RAL colour. Thanks to the intensive process of radical innovation of materials and finishing techniques the SELECT concept is constantly evolving. The stylish class of SELECT will definitely keep on surprising you.



Select



Flush (trimless)



Select is also available in a Flush edition for a perfectly flat surface. Find out more about Select Flush on page 68.

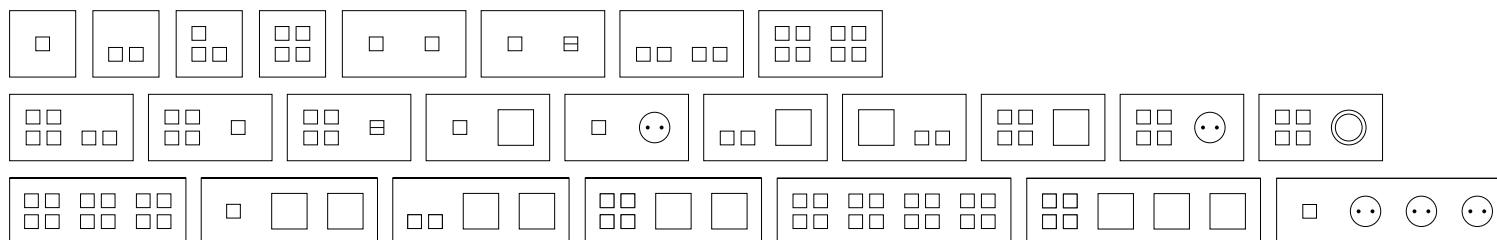
Combine



Ever thought about combining? Both Void and Dimmer work great with Select.



For combinations and personalisation on demand, check page 222.





Select

Matt White



| Type | Ref. |
|-------------------------|--------|
| 24V / 250V | Ni3102 |
| 24V + led white | Ni7102 |
| 24V + led amber | Ni8102 |
| KNX (led & temp sensor) | NiK102 |
| Teleruptor | NiA102 |

| Type | Ref. |
|-------------------------|--------|
| 24V / 250V | Ni3202 |
| 24V + led white | Ni7202 |
| 24V + led amber | Ni8202 |
| KNX (led & temp sensor) | NiK202 |



| Type | Ref. |
|-------------------------|--------|
| 24V / 250V | Ni3402 |
| 24V + led white | Ni7402 |
| 24V + led amber | Ni8402 |
| KNX (led & temp sensor) | NiK402 |

| Frame | Ref. |
|------------------------|--------|
| A (Bticino) | Vo0A02 |
| B (Legrand/Hager/Peha) | Vo0B02 |
| C (Vimar) | Vo0C02 |

| Socket Type | Ref. | |
|-------------|-------|--------|
| EU | White | Vo0Z02 |
| | Black | Vo0Y02 |
| FR/BE | White | Vo0X02 |
| | Black | Vo0W02 |

| Type | Ref. |
|-------------------------|----------|
| 24V / 250V | Ni313102 |
| 24V + led white | Ni717102 |
| 24V + led amber | Ni818102 |
| KNX (led & temp sensor) | NiK1K102 |
| Teleruptor | NiA1A102 |

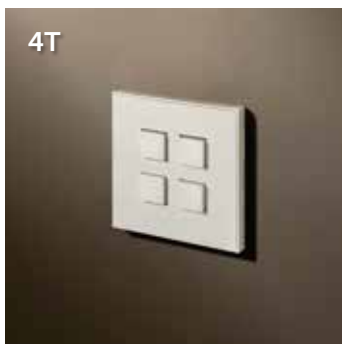
Select

Textured White



| Type | Ref. |
|-------------------------|--------|
| 24V / 250V | Ni3113 |
| 24V + led white | Ni7113 |
| 24V + led amber | Ni8113 |
| KNX (led & temp sensor) | NiK113 |
| Teleruptor | NiA113 |

| Type | Ref. |
|-------------------------|--------|
| 24V / 250V | Ni3213 |
| 24V + led white | Ni7213 |
| 24V + led amber | Ni8213 |
| KNX (led & temp sensor) | NiK213 |



| Type | Ref. |
|-------------------------|--------|
| 24V / 250V | Ni3413 |
| 24V + led white | Ni7413 |
| 24V + led amber | Ni8413 |
| KNX (led & temp sensor) | NiK413 |

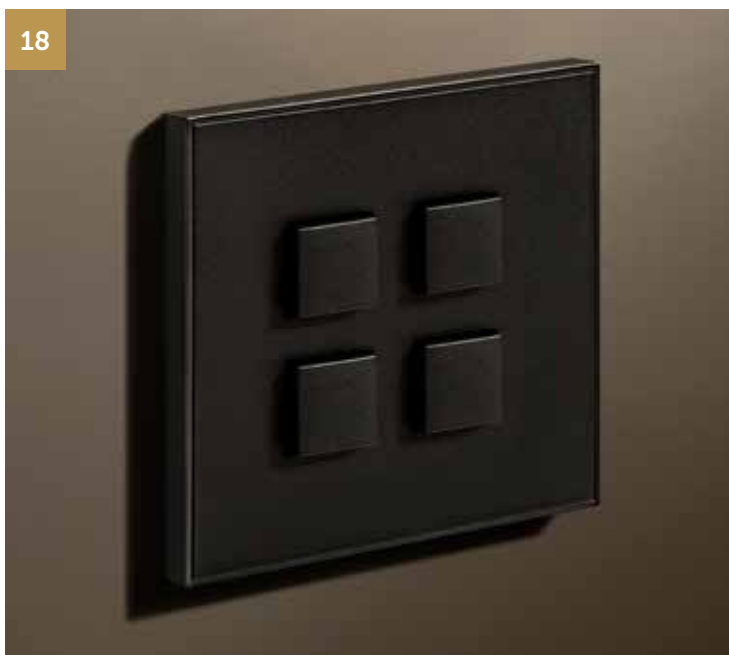
| Type | Ref. |
|-------|--------|
| 1-10V | Dm0D13 |





Select

Matt Black



| Type | Ref. |
|-------------------------|--------|
| 24V / 250V | Ni3118 |
| 24V + led white | Ni7118 |
| 24V + led amber | Ni8118 |
| KNX (led & temp sensor) | NiK118 |
| Teleruptor | NiA118 |

| Type | Ref. |
|-------------------------|--------|
| 24V / 250V | Ni3218 |
| 24V + led white | Ni7218 |
| 24V + led amber | Ni8218 |
| KNX (led & temp sensor) | NiK218 |



| Type | Ref. |
|-------------------------|--------|
| 24V / 250V | Ni3418 |
| 24V + led white | Ni7418 |
| 24V + led amber | Ni8418 |
| KNX (led & temp sensor) | NiK418 |

| Type | Ref. |
|-------------------------|----------|
| 24V / 250V | Ni313118 |
| 24V + led white | Ni717118 |
| 24V + led amber | Ni818118 |
| KNX (led & temp sensor) | NiK1K118 |
| Teleruptor | NiA1A118 |

| Socket Type | Ref. |
|-------------|--------------|
| EU | White Vo0Z18 |
| | Black Vo0Y18 |
| FR/BE | White Vo0X18 |
| | Black Vo0W18 |

| Frame | Ref. |
|------------------------|--------|
| A (Bticino) | Vo0A18 |
| B (Legrand/Hager/Peha) | Vo0B18 |
| C (Vimar) | Vo0C18 |

Select

Textured Black



14



1T



2T

| Type | Ref. |
|-------------------------|--------|
| 24V / 250V | Ni3114 |
| 24V + led white | Ni7114 |
| 24V + led amber | Ni8114 |
| KNX (led & temp sensor) | NiK114 |
| Teleruptor | NiA114 |

| Type | Ref. |
|-------------------------|--------|
| 24V / 250V | Ni3214 |
| 24V + led white | Ni7214 |
| 24V + led amber | Ni8214 |
| KNX (led & temp sensor) | NiK214 |



4T



MG2T

| Type | Ref. |
|-------------------------|--------|
| 24V / 250V | Ni3414 |
| 24V + led white | Ni7414 |
| 24V + led amber | Ni8414 |
| KNX (led & temp sensor) | NiK414 |

| Type | Ref. |
|-------------------------|----------|
| 24V / 250V | Ni0#3214 |
| 24V + led white | Ni0#7214 |
| 24V + led amber | Ni0#8214 |
| KNX (led & temp sensor) | Ni0#K214 |



Void Square

| Frame | Ref. |
|------------------------|--------|
| A (Bticino) | Vo0A14 |
| B (Legrand/Hager/Peha) | Vo0B14 |
| C (Vimar) | Vo0C14 |



Dimmer

| Type | Ref. |
|-------|--------|
| 1-10V | Dm0D14 |



Combine



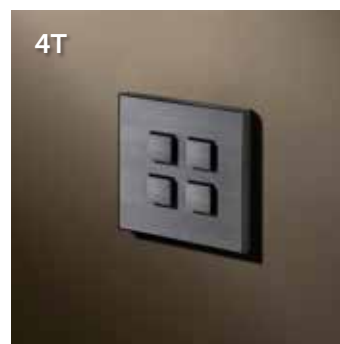
Ever thought about combining?
Both Void and Dimmer
work great with Select.
For combinations and
personalisation on demand,
— check page 222.





Select

Gunpowder Black (Fusain)



| Type | Ref. |
|-------------------------|--------|
| 24V / 250V | Ni3103 |
| 24V + led white | Ni7103 |
| 24V + led amber | Ni8103 |
| KNX (led & temp sensor) | NiK103 |
| Teleruptor | NiA103 |

| Type | Ref. |
|-------------------------|--------|
| 24V / 250V | Ni3203 |
| 24V + led white | Ni7203 |
| 24V + led amber | Ni8203 |
| KNX (led & temp sensor) | NiK203 |

| Type | Ref. |
|-------------------------|--------|
| 24V / 250V | Ni3403 |
| 24V + led white | Ni7403 |
| 24V + led amber | Ni8403 |
| KNX (led & temp sensor) | NiK403 |

| Type | Ref. |
|-------------------------|----------|
| 24V / 250V | Ni310B03 |
| 24V + led white | Ni710B03 |
| 24V + led amber | Ni810B03 |
| KNX (led & temp sensor) | NiK10B03 |
| Teleruptor | NiA10B03 |

Select

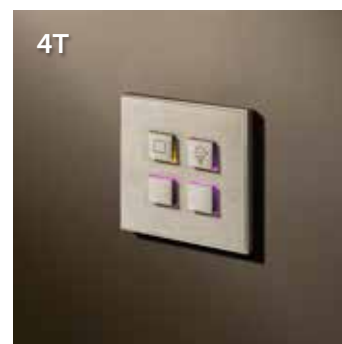
Stainless Steel



| Type | Ref. |
|-------------------------|--------|
| 24V / 250V | Ni3101 |
| 24V + led white | Ni7101 |
| 24V + led amber | Ni8101 |
| KNX (led & temp sensor) | NiK101 |
| Teleruptor | NiA101 |



| Type | Ref. |
|-------------------------|--------|
| 24V / 250V | Ni3201 |
| 24V + led white | Ni7201 |
| 24V + led amber | Ni8201 |
| KNX (led & temp sensor) | NiK201 |



| Type | Ref. |
|-------------------------|--------|
| 24V / 250V | Ni3401 |
| 24V + led white | Ni7401 |
| 24V + led amber | Ni8401 |
| KNX (led & temp sensor) | NiK401 |



| Type | Ref. |
|-------------------------|----------|
| 24V / 250V | Ni313101 |
| 24V + led white | Ni717101 |
| 24V + led amber | Ni818101 |
| KNX (led & temp sensor) | NiK1K101 |
| Teleruptor | NiA1A101 |

Select

Chrome



08



1T



2T

| Type | Ref. |
|-------------------------|--------|
| 24V / 250V | Ni3108 |
| 24V + led white | Ni7108 |
| 24V + led amber | Ni8108 |
| KNX (led & temp sensor) | NiK108 |
| Teleruptor | NiA108 |

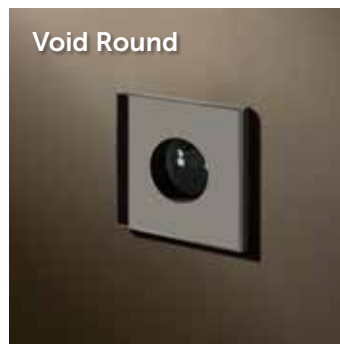
| Type | Ref. |
|-------------------------|--------|
| 24V / 250V | Ni3208 |
| 24V + led white | Ni7208 |
| 24V + led amber | Ni8208 |
| KNX (led & temp sensor) | NiK208 |



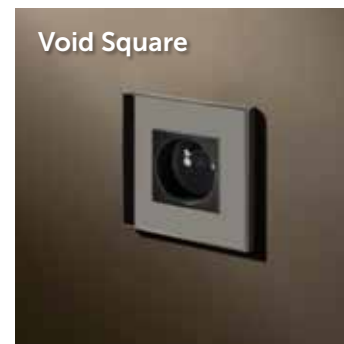
4T



1TMG



Void Round



Void Square

| Type | Ref. |
|-------------------------|--------|
| 24V / 250V | Ni3408 |
| 24V + led white | Ni7408 |
| 24V + led amber | Ni8408 |
| KNX (led & temp sensor) | NiK408 |

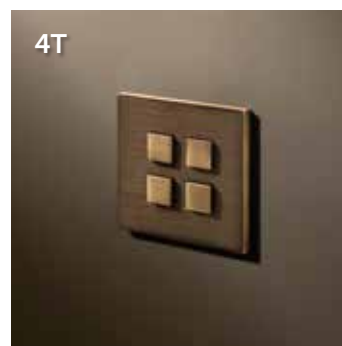
| Type | Ref. |
|-------------------------|----------|
| 24V / 250V | Ni310#08 |
| 24V + led white | Ni710#08 |
| 24V + led amber | Ni810#08 |
| KNX (led & temp sensor) | NiK10#08 |
| Teleruptor | NiA10#08 |

| Socket Type | Ref. | |
|-------------|-------|--------|
| EU | White | Vo0Z08 |
| | Black | Vo0Y08 |
| FR/BE | White | Vo0X08 |
| | Black | Vo0W08 |

| Frame | Ref. |
|------------------------|--------|
| A (Bticino) | Vo0A08 |
| B (Legrand/Hager/Peha) | Vo0B08 |
| C (Vimar) | Vo0C08 |

Select

Bronze Antique



| Type | Ref. |
|-------------------------|--------|
| 24V / 250V | Ni3117 |
| 24V + led white | Ni7117 |
| 24V + led amber | Ni8117 |
| KNX (led & temp sensor) | NiK117 |
| Teleruptor | NiA117 |

| Type | Ref. |
|-------------------------|--------|
| 24V / 250V | Ni3217 |
| 24V + led white | Ni7217 |
| 24V + led amber | Ni8217 |
| KNX (led & temp sensor) | NiK217 |

| Type | Ref. |
|-------------------------|--------|
| 24V / 250V | Ni3417 |
| 24V + led white | Ni7417 |
| 24V + led amber | Ni8417 |
| KNX (led & temp sensor) | NiK417 |

| Type | Ref. |
|-------------------------|----------|
| 24V / 250V | Ni310#17 |
| 24V + led white | Ni710#17 |
| 24V + led amber | Ni810#17 |
| KNX (led & temp sensor) | NiK10#17 |
| Teleruptor | NiA10#17 |



Combine

Feel free to combine, even with doorhandles.
For combinations and personalisation
— on demand, check page 222.



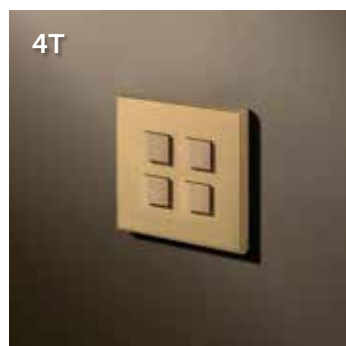
Select

Brushed Brass



| Type | Ref. |
|-------------------------|--------|
| 24V / 250V | Ni3106 |
| 24V + led white | Ni7106 |
| 24V + led amber | Ni8106 |
| KNX (led & temp sensor) | NiK106 |
| Teleruptor | NiA106 |

| Type | Ref. |
|-------------------------|--------|
| 24V / 250V | Ni3206 |
| 24V + led white | Ni7206 |
| 24V + led amber | Ni8206 |
| KNX (led & temp sensor) | NiK206 |



| Type | Ref. |
|-------------------------|--------|
| 24V / 250V | Ni3406 |
| 24V + led white | Ni7406 |
| 24V + led amber | Ni8406 |
| KNX (led & temp sensor) | NiK406 |

| Socket Type | Ref. | |
|-------------|-------|----------|
| EU | White | Vo0Z0Z06 |
| | Black | Vo0Y0Y06 |
| FR/BE | White | Vo0X0X06 |
| | Black | Vo0W0W06 |

| Type | Ref. |
|-------|--------|
| 1-10V | Dm0D37 |

| Type | Ref. |
|--------------------|--------|
| USB supply unit 2A | Vo0U06 |

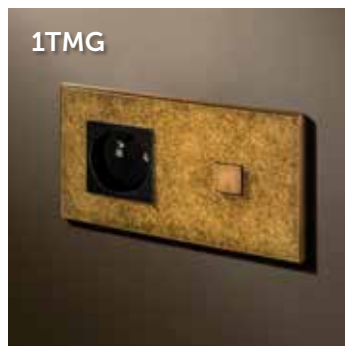


Select

Brass Antique



| Type | Ref. |
|-------------------------|--------|
| 24V / 250V | Ni3420 |
| 24V + led white | Ni7420 |
| 24V + led amber | Ni8420 |
| KNX (led & temp sensor) | NiK420 |



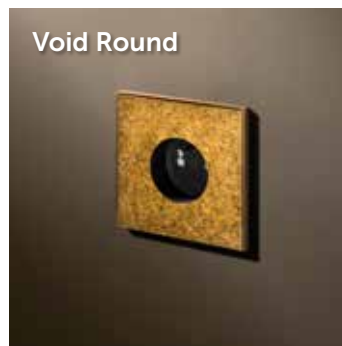
| Type | Ref. |
|-------------------------|----------|
| 24V / 250V | Ni310#20 |
| 24V + led white | Ni710#20 |
| 24V + led amber | Ni810#20 |
| KNX (led & temp sensor) | NiK10#20 |
| Teleruptor | NiA10#20 |



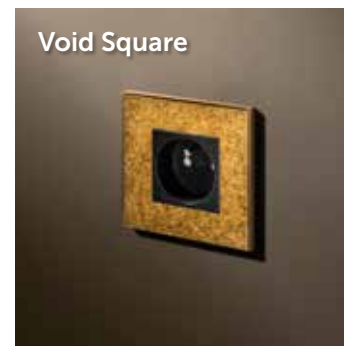
| Type | Ref. |
|-------------------------|--------|
| 24V / 250V | Ni3120 |
| 24V + led white | Ni7120 |
| 24V + led amber | Ni8120 |
| KNX (led & temp sensor) | NiK120 |
| Teleruptor | NiA120 |



| Type | Ref. |
|-------------------------|--------|
| 24V / 250V | Ni3220 |
| 24V + led white | Ni7220 |
| 24V + led amber | Ni8220 |
| KNX (led & temp sensor) | NiK220 |



| Socket Type | Ref. |
|-------------|--------------|
| EU | White Vo0Z20 |
| | Black Vo0Y20 |
| FR/BE | White Vo0X20 |
| | Black Vo0W20 |



| Frame | Ref. |
|------------------------|--------|
| A (Bticino) | Vo0A20 |
| B (Legrand/Hager/Peha) | Vo0B20 |
| C (Vimar) | Vo0C20 |

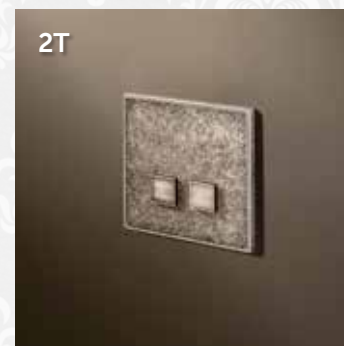
Select

Tin Antique

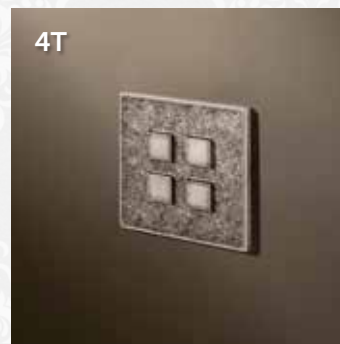
19



| Type | Ref. |
|-------------------------|--------|
| 24V / 250V | Ni3119 |
| 24V + led white | Ni7119 |
| 24V + led amber | Ni8119 |
| KNX (led & temp sensor) | NiK119 |
| Teleruptor | NiA119 |



| Type | Ref. |
|-------------------------|--------|
| 24V / 250V | Ni3219 |
| 24V + led white | Ni7219 |
| 24V + led amber | Ni8219 |
| KNX (led & temp sensor) | NiK219 |

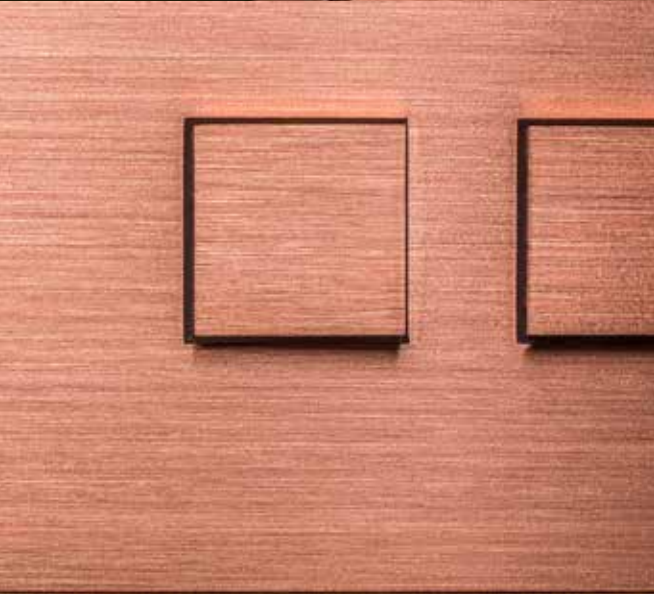


| Type | Ref. |
|-------------------------|--------|
| 24V / 250V | Ni3419 |
| 24V + led white | Ni7419 |
| 24V + led amber | Ni8419 |
| KNX (led & temp sensor) | NiK419 |



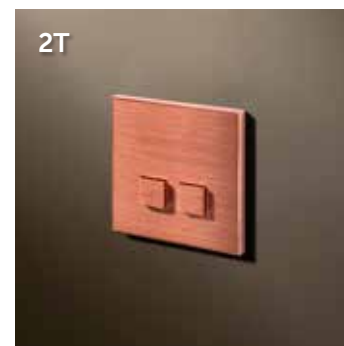
| Type | Ref. |
|-------------------------|----------|
| 24V / 250V | Ni310#19 |
| 24V + led white | Ni710#19 |
| 24V + led amber | Ni810#19 |
| KNX (led & temp sensor) | NiK10#19 |
| Teleruptor | NiA10#19 |





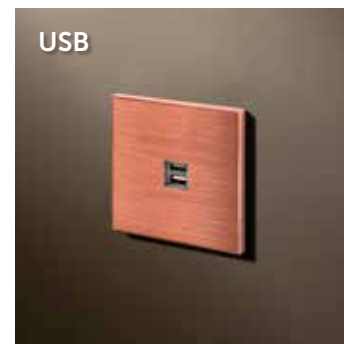
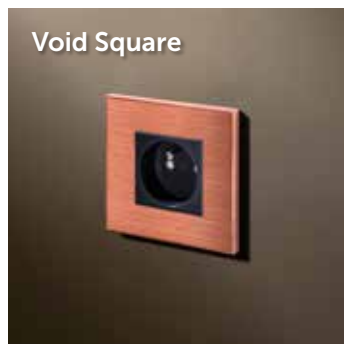
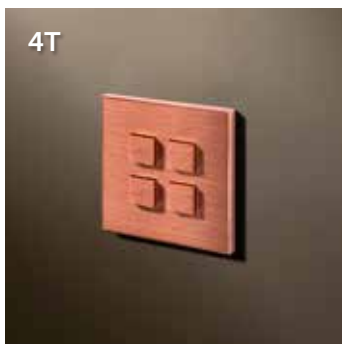
Select

Copper



| Type | Ref. |
|-------------------------|--------|
| 24V / 250V | Ni3129 |
| 24V + led white | Ni7129 |
| 24V + led amber | Ni8129 |
| KNX (led & temp sensor) | NiK129 |
| Teleruptor | NiA129 |

| Type | Ref. |
|-------------------------|--------|
| 24V / 250V | Ni3229 |
| 24V + led white | Ni7229 |
| 24V + led amber | Ni8229 |
| KNX (led & temp sensor) | NiK229 |



| Type | Ref. |
|-------------------------|--------|
| 24V / 250V | Ni3429 |
| 24V + led white | Ni7429 |
| 24V + led amber | Ni8429 |
| KNX (led & temp sensor) | NiK429 |

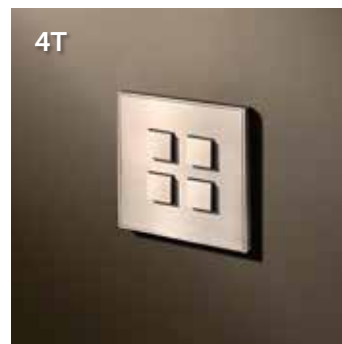
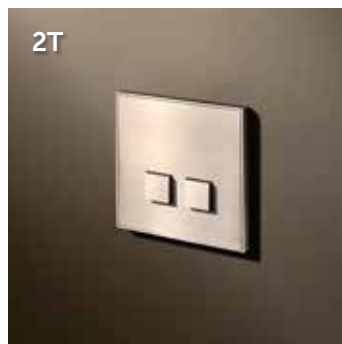
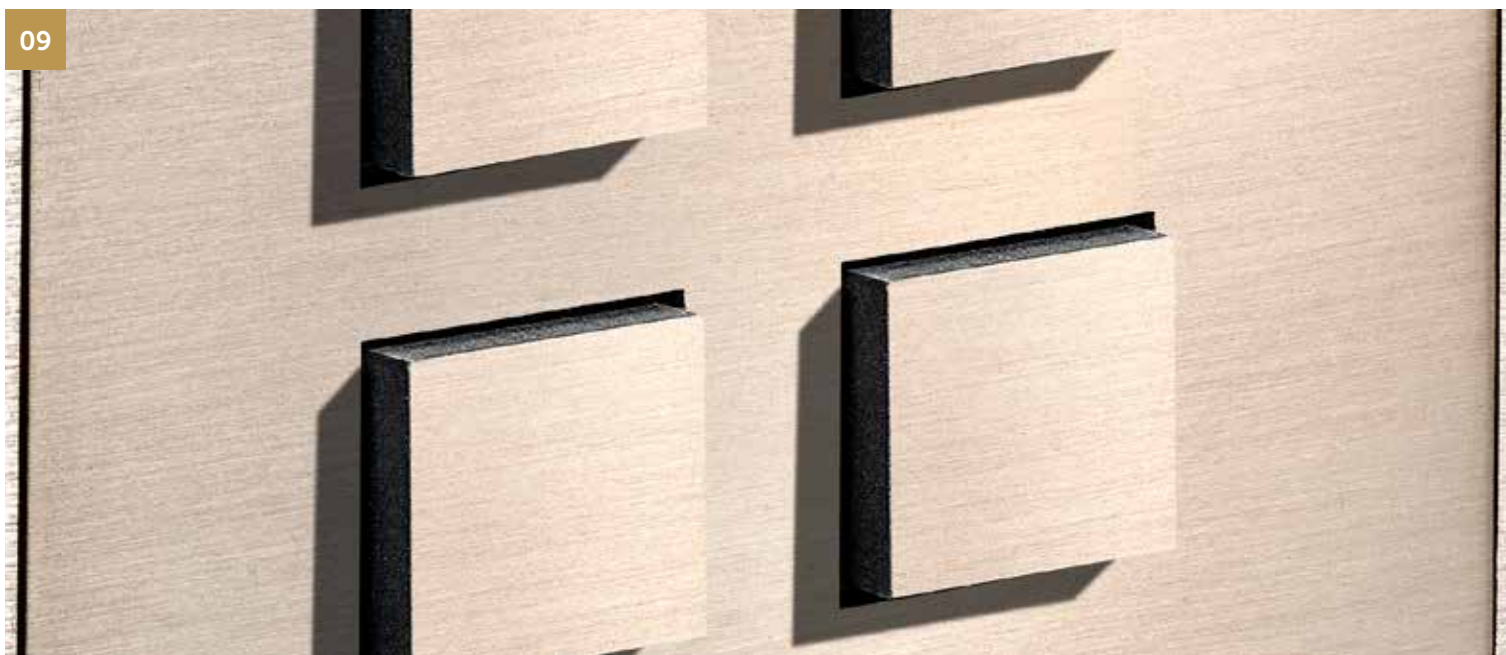
| Frame | Ref. |
|------------------------|--------|
| A (Bticino) | Vo0A29 |
| B (Legrand/Hager/Peha) | Vo0B29 |
| C (Vimar) | Vo0C29 |

| Type | Ref. |
|-------|--------|
| 1-10V | Dm0D34 |

| Type | Ref. |
|--------------------|--------|
| USB supply unit 2A | Vo0U29 |

Select

Nickel



| Type | Ref. |
|-------------------------|--------|
| 24V / 250V | Ni3109 |
| 24V + led white | Ni7109 |
| 24V + led amber | Ni8109 |
| KNX (led & temp sensor) | NiK109 |
| Teleruptor | NiA109 |

| Type | Ref. |
|-------------------------|--------|
| 24V / 250V | Ni3209 |
| 24V + led white | Ni7209 |
| 24V + led amber | Ni8209 |
| KNX (led & temp sensor) | NiK209 |

| Type | Ref. |
|-------------------------|--------|
| 24V / 250V | Ni3409 |
| 24V + led white | Ni7409 |
| 24V + led amber | Ni8409 |
| KNX (led & temp sensor) | NiK409 |

| Socket Type | Ref. | |
|-------------|-------|--------|
| EU | White | Vo0Z09 |
| | Black | Vo0Y09 |
| FR/BE | White | Vo0X09 |
| | Black | Vo0W09 |





















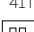



Combine

Ever thought about combining? Both Void and Dimmer work great with Select. For combinations and personalisation on demand, check page 222.

Select




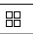

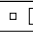


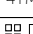

Setups & combinations




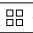

| | Type | Ref. | Ref. |
|---|---|----------|--|
| 1T  | ⊙ 24V-250V push button | Ni31xx | ⊙ Ni3232xx |
| | ⊙ 24V + led white | Ni71xx | ⊙ Ni7272xx |
| | ⊙ 24V + led amber | Ni81xx | ⊙ Ni8282xx |
| |  KNX (led & temp sensor) | NiK1xx |  NiK2K2xx |
| |  Teleruptor | NiA1xx | ⊙ Ni3434xx |
| 2T  | ⊙ 24V-250V push button | Ni32xx | ⊙ Ni7474xx |
| | ⊙ 24V + led white | Ni72xx | ⊙ Ni8484xx |
| | ⊙ 24V + led amber | Ni82xx |  NiK4K4xx |
| |  KNX (led & temp sensor) | NiK2xx | ⊙ Ni3432xx |
| 3T  | ⊙ 24V-250V push button | Ni33xx | ⊙ Ni7472xx |
| | ⊙ 24V + led white | Ni73xx | ⊙ Ni8482xx |
| | ⊙ 24V + led amber | Ni83xx |  NiK4K2xx |
| |  KNX (led & temp sensor) | NiK3xx | ⊙ Ni3431xx |
| 4T  | ⊙ 24V-250V push button | Ni34xx | ⊙ Ni7471xx |
| | ⊙ 24V + led white | Ni74xx | ⊙ Ni8481xx |
| | ⊙ 24V + led amber | Ni84xx |  NiK4K1xx |
| |  KNX (led & temp sensor) | NiK4xx | ⊙ Ni343434xx |
| 11T  | ⊙ 24V-250V push button | Ni3131xx | ⊙ Ni747474xx |
| | ⊙ 24V + led white | Ni7171xx | ⊙ Ni848484xx |
| | ⊙ 24V + led amber | Ni8181xx |  NiK4K4K4xx |
| |  KNX (led & temp sensor) | NiK1K1xx | |
| |  Teleruptor | NiA1A1xx | |
| 22T  | | | |
| | | | |
| | | | |
| | | | |
| | | | |
| 44T  | | | |
| | | | |
| | | | |
| | | | |
| 42T  | | | |
| | | | |
| | | | |
| | | | |
| 41T  | | | |
| | | | |
| | | | |
| | | | |
| 444T  | | | |
| | | | |
| | | | |
| | | | |

xx Add the color code at the end for any finish you desire.

* Add V behind the article code for vertical installation of plate.

⁽¹⁾ Overview frames and compatible modules on page 218.

| | Type | Frame A ⁽¹⁾ | Frame B ⁽¹⁾ | Frame C ⁽¹⁾ |
|--|--|------------------------|------------------------|------------------------|
| 1TMG  | ⊙ 24V-250V push button | Ni310Axx | Ni310Bxx | Ni310Cxx |
| | ⊙ 24V + led white | Ni710Axx | Ni710Bxx | Ni710Cxx |
| | ⊙ 24V + led amber | Ni810Axx | Ni810Bxx | Ni810Cxx |
| |  KNX (led & temp sensor) | NiK10Axx | NiK10Bxx | NiK10Cxx |
| |  Teleruptor | NiA10Axx | NiA10Bxx | NiA10Cxx |
| 4TMG  | ⊙ 24V-250V push button | Ni340Axx | Ni340Bxx | Ni340Cxx |
| | ⊙ 24V + led white | Ni740Axx | Ni740Bxx | Ni740Cxx |
| | ⊙ 24V + led amber | Ni840Axx | Ni840Bxx | Ni840Cxx |
| |  KNX (led & temp sensor) | NiK40Axx | NiK40Bxx | NiK40Cxx |
| 1TMMG  | ⊙ 24V-250V push button | Ni310A0Axx | Ni310B0Bxx | Ni310C0Cxx |
| | ⊙ 24V + led white | Ni710A0Axx | Ni710B0Bxx | Ni710C0Cxx |
| | ⊙ 24V + led amber | Ni810A0Axx | Ni810B0Bxx | Ni810C0Cxx |
| |  KNX (led & temp sensor) | NiK10A0Axx | NiK10B0Bxx | NiK10C0Cxx |
| |  Teleruptor | NiA10A0Axx | NiA10B0Bxx | NiA10C0Cxx |
| 4TMMG  | ⊙ 24V-250V push button | Ni340A0Axx | Ni340B0Bxx | Ni340C0Cxx |
| | ⊙ 24V + led white | Ni740A0Axx | Ni740B0Bxx | Ni740C0Cxx |
| | ⊙ 24V + led amber | Ni840A0Axx | Ni840B0Bxx | Ni840C0Cxx |
| |  KNX (led & temp sensor) | NiK40A0Axx | NiK40B0Bxx | NiK40C0Cxx |
| | | | | |

| | Type | EU | | FR/BE | |
|---|---|----------|----------|----------|----------|
| | | White | Black | White | Black |
| 1T1V  | ⊙ 24V-250V push button | Ni310Zxx | Ni310Yxx | Ni310Xxx | Ni310Wxx |
| | ⊙ 24V + led white | Ni710Zxx | Ni710Yxx | Ni710Xxx | Ni710Wxx |
| | ⊙ 24V + led amber | Ni810Zxx | Ni810Yxx | Ni810Xxx | Ni810Wxx |
| |  KNX (led & temp sensor) | NiK10Zxx | NiK10Yxx | NiK10Xxx | NiK10Wxx |
| |  Teleruptor | NiA10Zxx | NiA10Yxx | NiA10Xxx | NiA10Wxx |
| 4T1V  | ⊙ 24V-250V push button | Ni340Zxx | Ni340Yxx | Ni340Xxx | Ni340Wxx |
| | ⊙ 24V + led white | Ni740Zxx | Ni740Yxx | Ni740Xxx | Ni740Wxx |
| | ⊙ 24V + led amber | Ni840Zxx | Ni840Yxx | Ni840Xxx | Ni840Wxx |
| |  KNX (led & temp sensor) | NiK40Zxx | NiK40Yxx | NiK40Xxx | NiK40Wxx |

— Dimensions & wall boxes: see technical guide on page 200-202.

Select

Colors



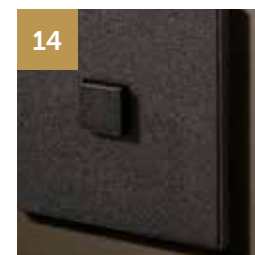
01 Stainless Steel + Luminaires



18 Matt Black RAL9011



13 Textured White RAL9010



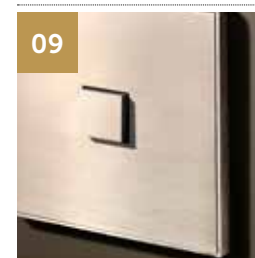
14 Textured Black RAL9011



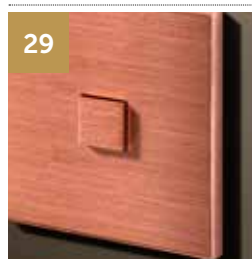
02 Matt White RAL9010



06 Brushed Brass



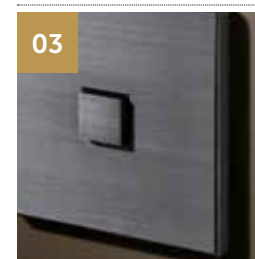
09 Nickel



29 Copper



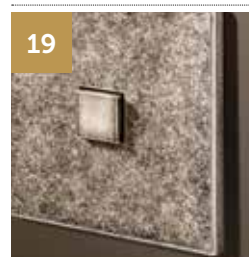
08 Chrome



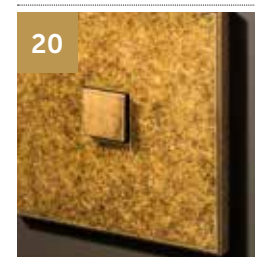
03 Gunpowder Black (Fusain)



17 Bronze Antique

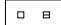


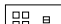



19 Tin Antique



20 Brass Antique

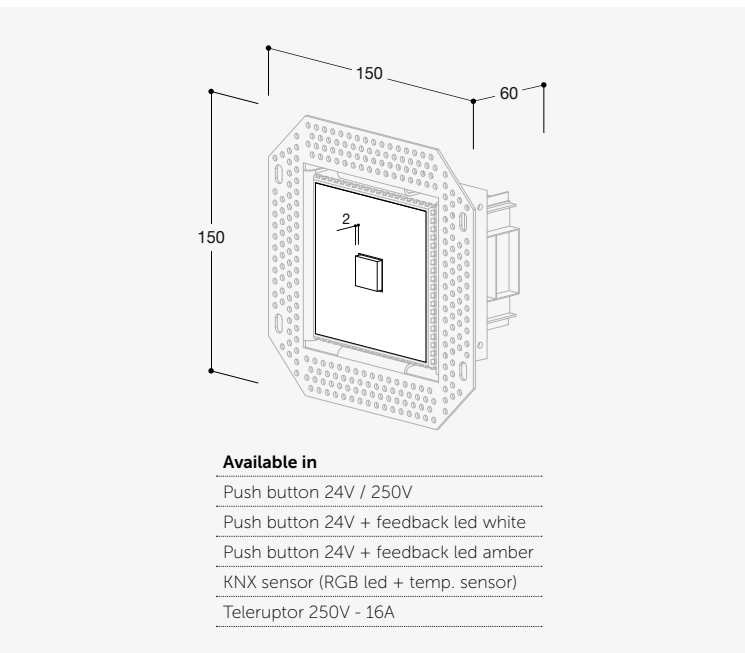
Combine Select with Void,
___ Dimmer, Luminaires ...

| | Type | Ref. |
|--|---|----------|
| 1TUSB  | ⊙ 24V-250V push button | Ni310Uxx |
| | ⊙ 24V + led white | Ni710Uxx |
| | ⊙ 24V + led amber | Ni810Uxx |
| |  KNX (led & temp sensor) | NiK10Uxx |
| |  Teleruptor | NiA10Uxx |
| 4TUSB  | ⊙ 24V-250V push button | Ni340Uxx |
| | ⊙ 24V + led white | Ni740Uxx |
| | ⊙ 24V + led amber | Ni840Uxx |
| |  KNX (led & temp sensor) | NiK40Uxx |

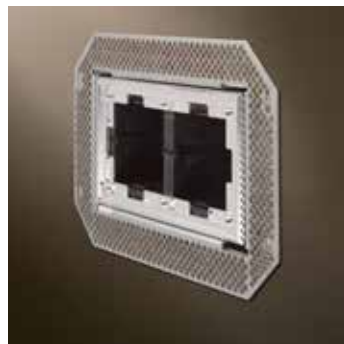
___ Get in touch for combinations and personalisation on demand.

Select Flush

Trimless solution



Installation frame 1 ACC001



Installation frame 2 ACC002

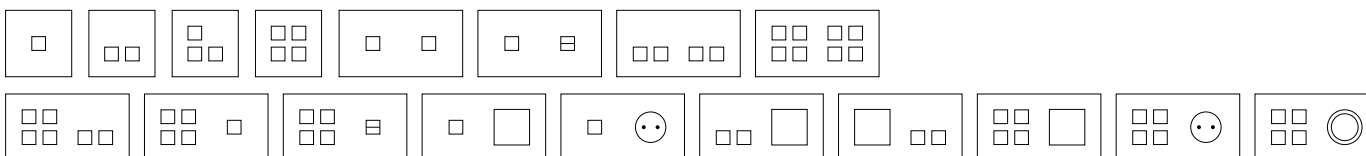
* Installation: see page 220 (dry wall) and page 221 (solid wall).

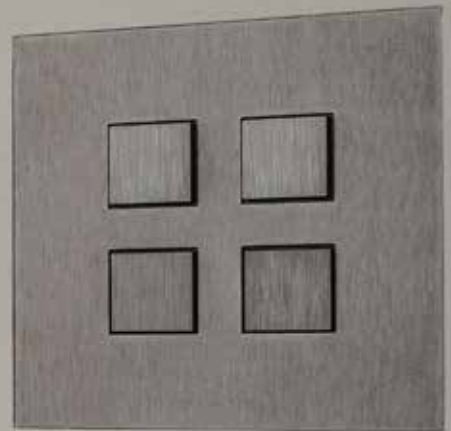
Combine

Ever thought about combining?
Void works great with Select Flush.



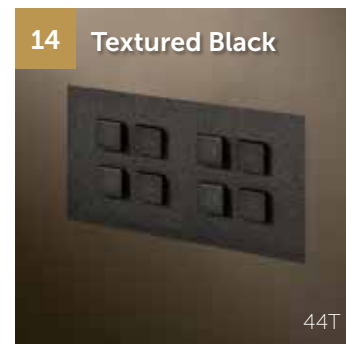
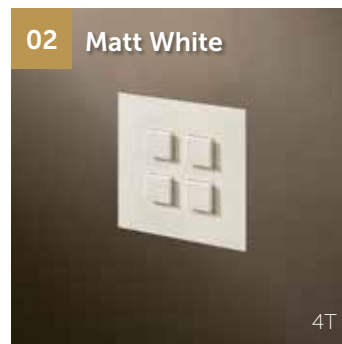
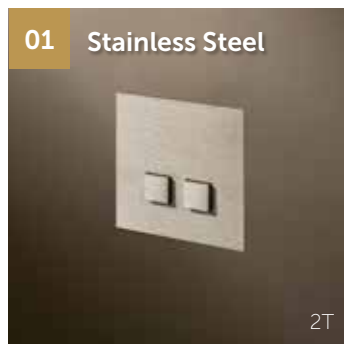
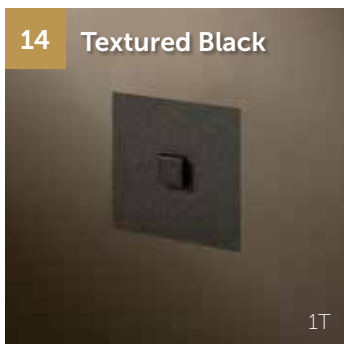
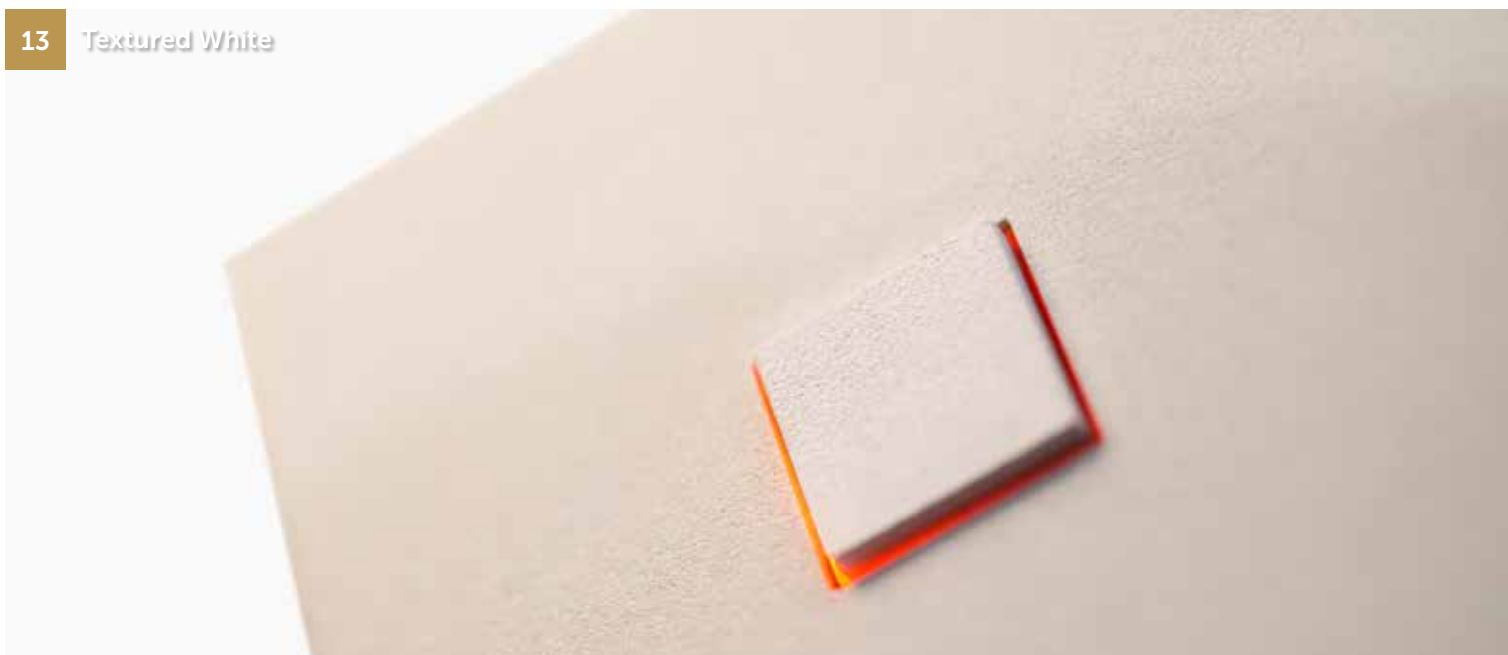
For combinations and personalisation
on demand, check page 222.





Select Flush

Trimless solution




















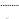




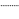

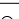



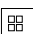
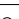





| Type | Ref. |
|-------------------------|--------|
| 24V / 250V | NF31xx |
| 24V + led white | NF71xx |
| 24V + led amber | NF81xx |
| KNX (led & temp sensor) | NFK1xx |
| Teleruptor | NFA1xx |

| Type | Ref. |
|-------------------------|--------|
| 24V / 250V | NF32xx |
| 24V + led white | NF72xx |
| 24V + led amber | NF82xx |
| KNX (led & temp sensor) | NFK2xx |

| Type | Ref. |
|-------------------------|--------|
| 24V / 250V | NF34xx |
| 24V + led white | NF74xx |
| 24V + led amber | NF84xx |
| KNX (led & temp sensor) | NFK4xx |

| Type | Ref. |
|-------------------------|----------|
| 24V / 250V | NF3434xx |
| 24V + led white | NF7474xx |
| 24V + led amber | NF8484xx |
| KNX (led & temp sensor) | NFK4K4xx |

| | Technology | Ref. |
|--|---|----------|
| 1T  |  24V-250V push button | NF31xx |
| |  24V + led white | NF71xx |
| |  24V + led amber | NF81xx |
| |  KNX (led & temp sensor) | NFK1xx |
| |  Teleruptor | NFA1xx |
| 2T  |  24V-250V push button | NF32xx |
| |  24V + led white | NF72xx |
| |  24V + led amber | NF82xx |
| |  KNX (led & temp sensor) | NFK2xx |
| 3T  |  24V-250V push button | NF33xx |
| |  24V + led white | NF73xx |
| |  24V + led amber | NF83xx |
| 4T  |  24V-250V push button | NF34xx |
| |  24V + led white | NF74xx |
| |  24V + led amber | NF84xx |
| |  KNX (led & temp sensor) | NFK4xx |
| 11T  |  24V-250V push button | NF3131xx |
| |  24V + led white | NF7171xx |
| |  24V + led amber | NF8181xx |
| |  KNX (led & temp sensor) | NFK1K1xx |
| 22T  |  24V-250V push button | NF3232xx |
| |  24V + led white | NF7272xx |
| |  24V + led amber | NF8282xx |
| |  KNX (led & temp sensor) | NFK2K2xx |
| 44T  |  24V-250V push button | NF3434xx |
| |  24V + led white | NF7474xx |
| |  24V + led amber | NF8484xx |
| |  KNX (led & temp sensor) | NFK4K4xx |

xx Add the color code at the end for any finish you desire.

Installation of Flush products always together with installation frames for plaster.
 See technical guide on page 220-221.





Lithoss
04. Britannica

Design by Lithoss

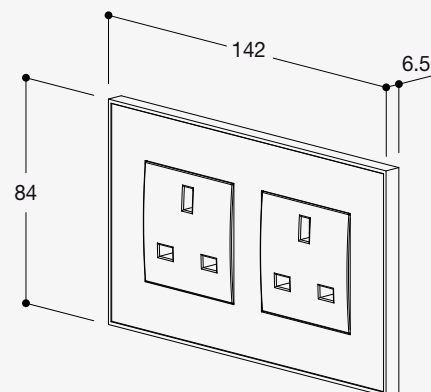
The BRITANNICA series consists of design solutions for the installation on British Standard wall boxes. Although the current Lithoss range was already compatible with the single British wall box, a new product was necessary for the double version. This resulted in a surprising design with aesthetic possibilities that will definitely also appeal to other markets.

Thanks to the new frame the push buttons are all beautifully positioned in the middle, which looks very nice both for horizontal and vertical installations. The epitome of perfect symmetry is the double cover plate, containing eight evenly distributed buttons.



Britannica

14

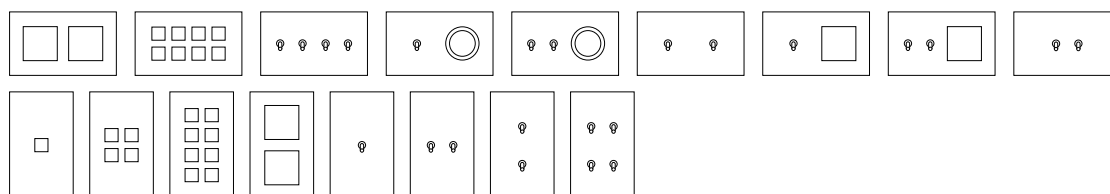
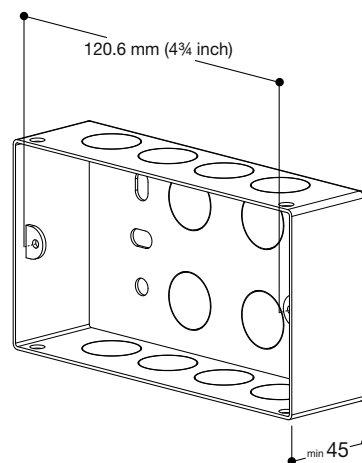


Available in

- Cockpit configurations
- Select configurations
- Void Square configurations

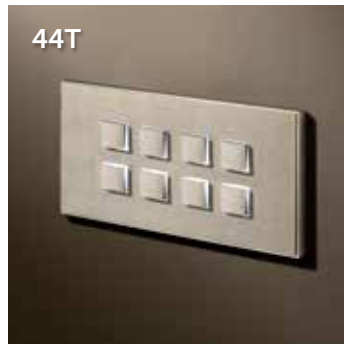
British Standard

Fits on a British Standard **double** electrical wall box. You can use the standard collection for the single BS wall box. Horizontal & vertical solutions.





| Type | Ref. |
|------|----------|
| MMG | Br0C0Cxx |



| Type | Ref. |
|-------------------------|----------|
| 24V / 250V | Br3434xx |
| 24V + led white | Br7474xx |
| 24V + led amber | Br8484xx |
| KNX (led & temp sensor) | BrK4K4xx |



| Without Neon | | Ref. |
|--------------|-------------|----------|
| | 2 Way | Br1J1Jxx |
| | Push Button | Br3J3Jxx |
| | Shutter | Br2J2Jxx |
| With Neon | | Ref. |
| | 2 Way | Br4J4Jxx |
| | Push Button | Br6J6Jxx |
| | Shutter | Br5J5Jxx |



| Without Neon | | Ref. |
|--------------|-------------|----------|
| | 2 Way | Br1111xx |
| | Push Button | Br3131xx |
| | Shutter | Br2121xx |
| With Neon | | Ref. |
| | 2 Way | Br4141xx |
| | Push Button | Br6161xx |
| | Shutter | Br5151xx |

xx Add the color code at the end for any finish you desire.



Britannica



| Without Neon | | Ref. |
|--------------|-------------|----------|
| | 2 Way | Br110Cxx |
| | Push Button | Br310Cxx |
| | Shutter | Br210Cxx |

| With Neon | | Ref. |
|-----------|-------------|----------|
| | 2 Way | Br410Cxx |
| | Push Button | Br610Cxx |
| | Shutter | Br510Cxx |

| Without Neon | | Ref. |
|--------------|-------------|----------|
| | 2 Way | Br1J0Cxx |
| | Push Button | Br3J0Cxx |
| | Shutter | Br2J0Cxx |

| With Neon | | Ref. |
|-----------|-------------|----------|
| | 2 Way | Br4J0Cxx |
| | Push Button | Br6J0Cxx |
| | Shutter | Br5J0Cxx |

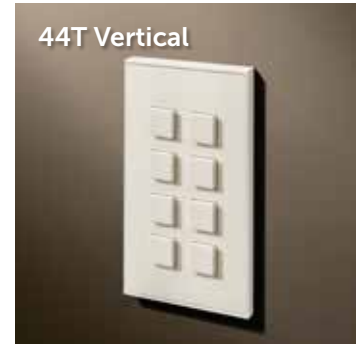
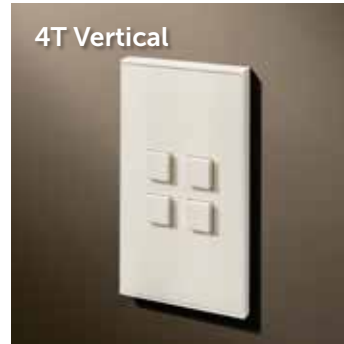
| Without Neon | | Ref. |
|--------------|-------------|----------|
| | 2 Way | Br110Dxx |
| | Push Button | Br310Dxx |
| | Shutter | Br210Dxx |

| With Neon | | Ref. |
|-----------|-------------|----------|
| | 2 Way | Br410Dxx |
| | Push Button | Br610Dxx |
| | Shutter | Br510Dxx |

| Without Neon | | Ref. |
|--------------|-------------|----------|
| | 2 Way | Br1J0Dxx |
| | Push Button | Br3J0Dxx |
| | Shutter | Br2J0Dxx |

| With Neon | | Ref. |
|-----------|-------------|----------|
| | 2 Way | Br4J0Dxx |
| | Push Button | Br6J0Dxx |
| | Shutter | Br5J0Dxx |



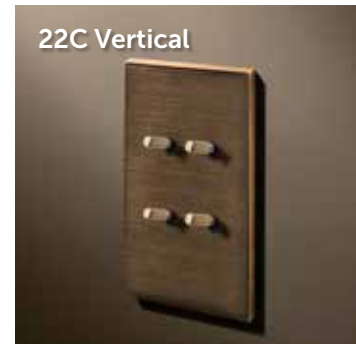


| Type | Ref. |
|------|-----------|
| MMG | Br0C0CxxV |

| Type | Ref. |
|-------------------------|---------|
| 24V / 250V | Br31xxV |
| 24V + led white | Br71xxV |
| 24V + led amber | Br81xxV |
| KNX (led & temp sensor) | BrK1xxV |

| Type | Ref. |
|-------------------------|---------|
| 24V / 250V | Br34xxV |
| 24V + led white | Br74xxV |
| 24V + led amber | Br84xxV |
| KNX (led & temp sensor) | BrK4xxV |

| Type | Ref. |
|-------------------------|-----------|
| 24V / 250V | Br3434xxV |
| 24V + led white | Br7474xxV |
| 24V + led amber | Br8484xxV |
| KNX (led & temp sensor) | BrK4K4xxV |



| Without Neon | | Ref. |
|--------------|-------------|---------|
| | 2 Way | Br11xxV |
| | Push Button | Br31xxV |
| | Shutter | Br21xxV |

| Without Neon | | Ref. |
|--------------|-------------|---------|
| | 2 Way | Br1JxxV |
| | Push Button | Br3JxxV |
| | Shutter | Br2JxxV |

| Without Neon | | Ref. |
|--------------|-------------|-----------|
| | 2 Way | Br1111xxV |
| | Push Button | Br3131xxV |
| | Shutter | Br2121xxV |

| Without Neon | | Ref. |
|--------------|-------------|-----------|
| | 2 Way | Br1J1JxxV |
| | Push Button | Br3J3JxxV |
| | Shutter | Br2J2JxxV |

| With Neon | | Ref. |
|-----------|-------------|---------|
| | 2 Way | Br41xxV |
| | Push Button | Br61xxV |
| | Shutter | Br51xxV |

| With Neon | | Ref. |
|-----------|-------------|---------|
| | 2 Way | Br4JxxV |
| | Push Button | Br6JxxV |
| | Shutter | Br5JxxV |

| With Neon | | Ref. |
|-----------|-------------|-----------|
| | 2 Way | Br4141xxV |
| | Push Button | Br6161xxV |
| | Shutter | Br5151xxV |

| With Neon | | Ref. |
|-----------|-------------|-----------|
| | 2 Way | Br4J4JxxV |
| | Push Button | Br6J6JxxV |
| | Shutter | Br5J5JxxV |

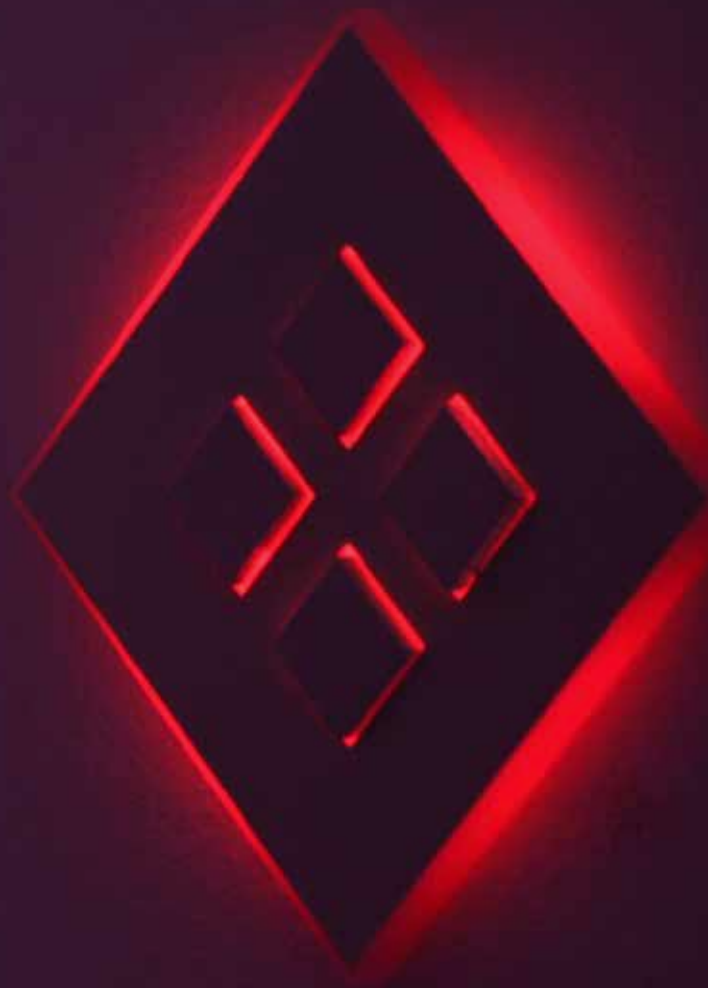
Lithoss

05. Illume

Design by TAL Laboratories

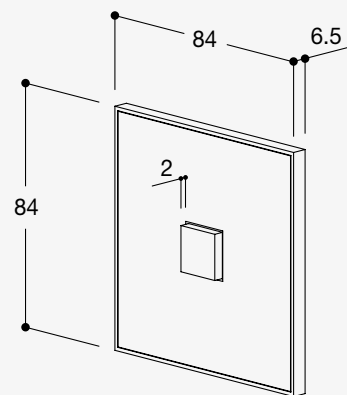
The ILLUME range combines switch, technology and lighting functions in one element. The frame diffuses the light on the four sides of the switch, creating a special atmosphere. The 'glow in the dark' feature determines the theme for each room, whether it is bright white, intense red, warm orange or powerful blue.

A switch and orientation light in one brings your vivid imagination to light!



Illume

02



Available in

Push button 24V + orientation led

Combine



Ever thought about combining?
Both Void and Dimmer work great



with Illume. For combinations
and personalisation on demand,

— check page 222.



— Dimensions & wall boxes: see technical guide on page 200-202.



Illume

White

01



1T



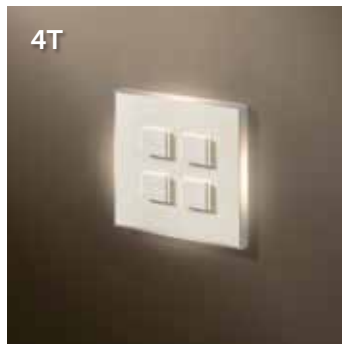
1T



2T



4T



XT



| Type | Ref. |
|------------------------|--------|
| Stainless steel | Il7101 |
| Matt white RAL9010 | Il7102 |
| Textured white RAL9010 | Il7113 |
| Textured black | Il7114 |

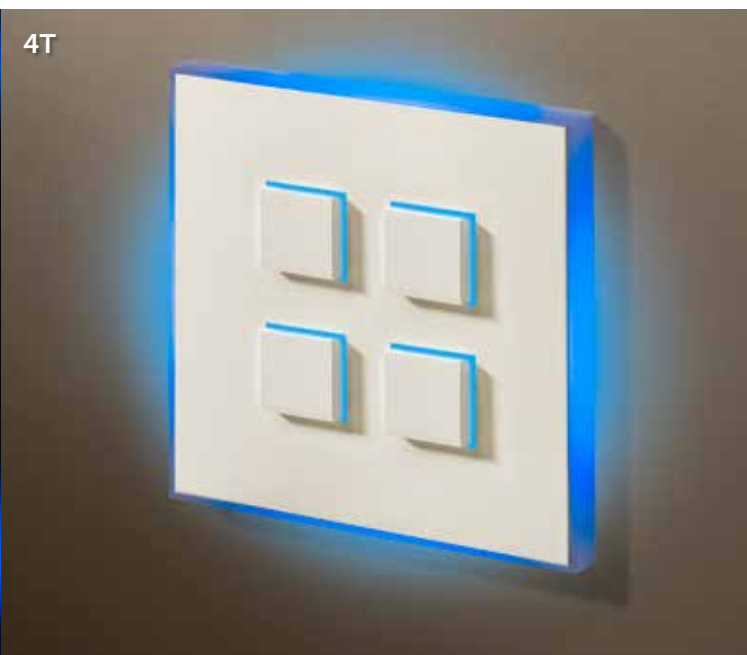
| Type | Ref. |
|------------------------|--------|
| Stainless steel | Il7201 |
| Matt white RAL9010 | Il7202 |
| Textured white RAL9010 | Il7213 |
| Textured black | Il7214 |

| Type | Ref. |
|------------------------|--------|
| Stainless steel | Il7401 |
| Matt white RAL9010 | Il7402 |
| Textured white RAL9010 | Il7413 |
| Textured black | Il7414 |

| Type | Ref. |
|------------------------|--------|
| Stainless steel | Lu7T01 |
| Matt white RAL9010 | Lu7T02 |
| Textured white RAL9010 | Lu7T13 |
| Textured black | Lu7T14 |

Illume

Blue



| Type | Ref. |
|------------------------|--------|
| Stainless steel | IIE101 |
| Matt white RAL9010 | IIE102 |
| Textured white RAL9010 | IIE113 |
| Textured black | IIE114 |

| Type | Ref. |
|------------------------|--------|
| Stainless steel | IIE201 |
| Matt white RAL9010 | IIE202 |
| Textured white RAL9010 | IIE213 |
| Textured black | IIE214 |

| Type | Ref. |
|------------------------|--------|
| Stainless steel | IIE401 |
| Matt white RAL9010 | IIE402 |
| Textured white RAL9010 | IIE413 |
| Textured black | IIE414 |

| Type | Ref. |
|------------------------|--------|
| Stainless steel | LuET01 |
| Matt white RAL9010 | LuET02 |
| Textured white RAL9010 | LuET13 |
| Textured black | LuET14 |

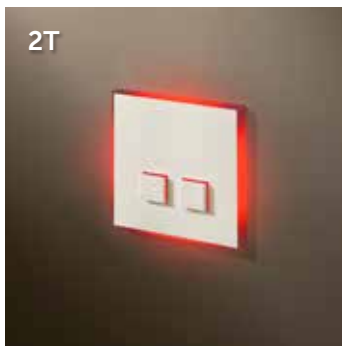
Illume

Red

1T



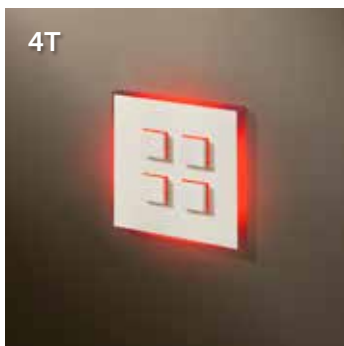
2T



| Type | Ref. |
|------------------------|--------|
| Stainless steel | IIF101 |
| Matt white RAL9010 | IIF102 |
| Textured white RAL9010 | IIF113 |
| Textured black | IIF114 |

| Type | Ref. |
|------------------------|--------|
| Stainless steel | IIF201 |
| Matt white RAL9010 | IIF202 |
| Textured white RAL9010 | IIF213 |
| Textured black | IIF214 |

4T

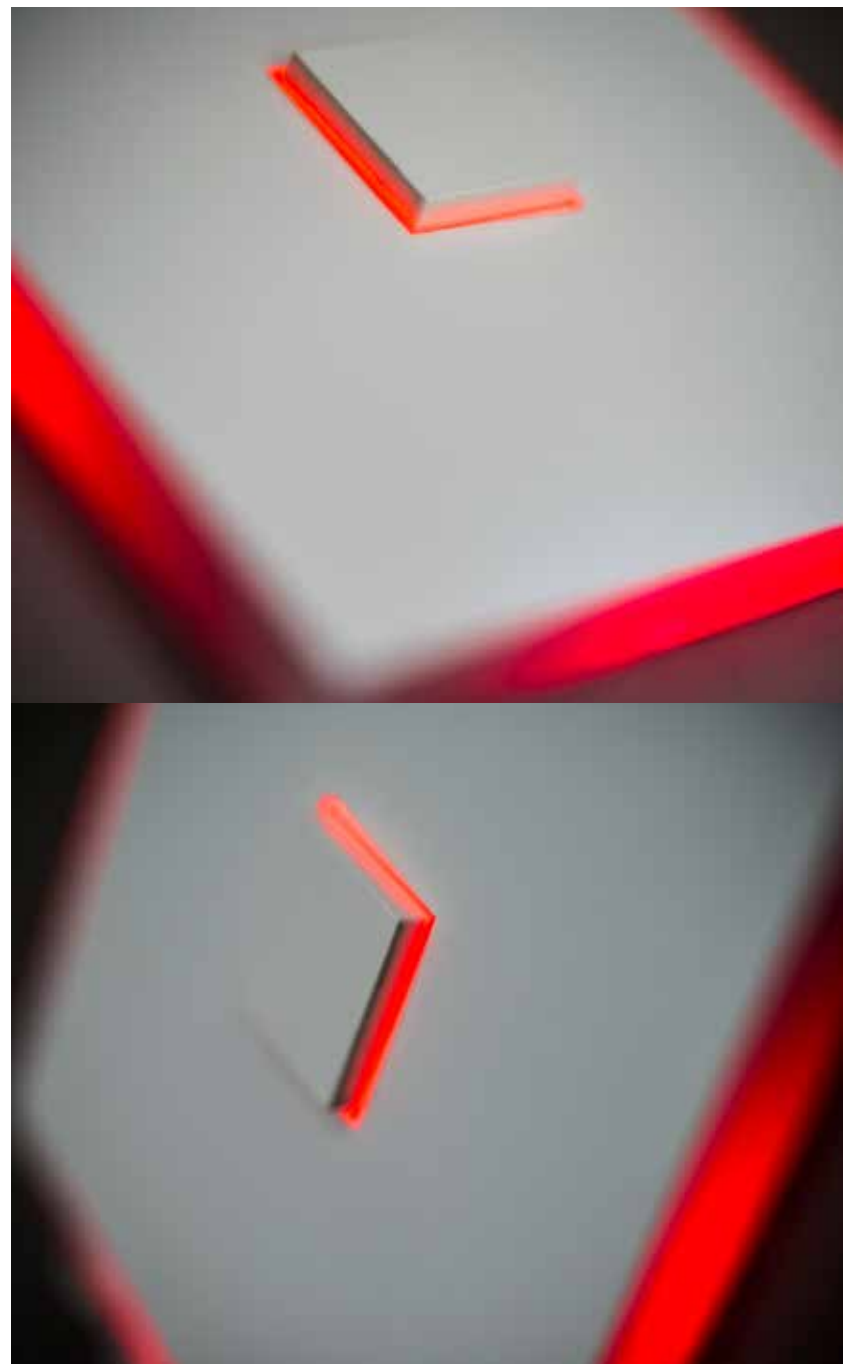


XT



| Type | Ref. |
|------------------------|--------|
| Stainless steel | IIF401 |
| Matt white RAL9010 | IIF402 |
| Textured white RAL9010 | IIF413 |
| Textured black | IIF414 |

| Type | Ref. |
|------------------------|--------|
| Stainless steel | LuFT01 |
| Matt white RAL9010 | LuFT02 |
| Textured white RAL9010 | LuFT13 |
| Textured black | LuFT14 |









Illume

Amber



| Type | Ref. |
|------------------------|--------|
| Stainless steel | II8101 |
| Matt white RAL9010 | II8102 |
| Textured white RAL9010 | II8113 |
| Textured black | II8114 |



| Type | Ref. |
|------------------------|--------|
| Stainless steel | II8201 |
| Matt white RAL9010 | II8202 |
| Textured white RAL9010 | II8213 |
| Textured black | II8214 |



| Type | Ref. |
|------------------------|--------|
| Stainless steel | II8401 |
| Matt white RAL9010 | II8402 |
| Textured white RAL9010 | II8413 |
| Textured black | II8414 |



| Type | Ref. |
|------------------------|--------|
| Stainless steel | Lu8T01 |
| Matt white RAL9010 | Lu8T02 |
| Textured white RAL9010 | Lu8T13 |
| Textured black | Lu8T14 |



Lithoss

06. Squares

Design by Lithoss

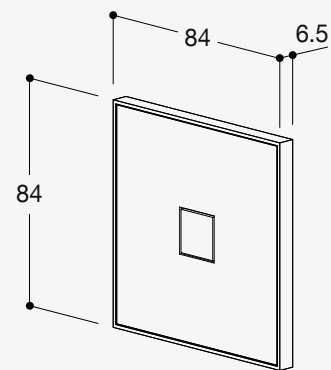
Never change a winning design ... But when the timeless design of the SELECT range was given a new look, everybody was amazed by the result.

As a flush-mounted switch (= submerged in the wall) this Lithoss design shines in all its glory. SQUARES can be sleekly integrated in any interior. The design harmoniously blends in and creates a space that is in perfect balance.



Squares

01



Available in

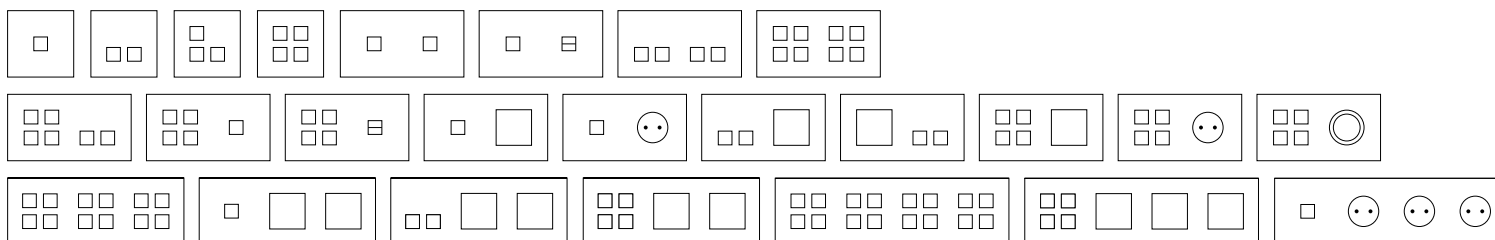
-
- Push button 24V / 250V
-
- Push button 24V + feedback led white
-
- Push button 24V + feedback led amber
-
- KNX sensor (RGB led + temp. sensor)
-
- Teleruptor 250V - 16A
-

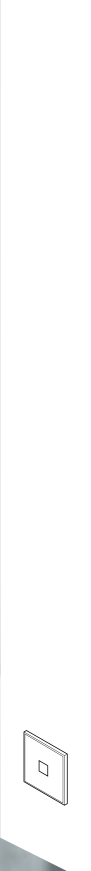
Flush

Squares is also available in a Flush edition for a perfectly flat surface. Find out more about Squares Flush on page 104.

Combine

Ever thought about combining?
Both Void and Dimmer work great with Squares.
For combinations and personalisation on demand, check page 222.





Squares

Matt White

02



1T



2T



4T



44T



| Type | Ref. |
|-------------------------|--------|
| 24V / 250V | Sq3102 |
| 24V + led white | Sq7102 |
| 24V + led amber | Sq8102 |
| KNX (led & temp sensor) | SqK102 |
| Teleruptor | SqA102 |

| Type | Ref. |
|-------------------------|--------|
| 24V / 250V | Sq3202 |
| 24V + led white | Sq7202 |
| 24V + led amber | Sq8202 |
| KNX (led & temp sensor) | SqK202 |

| Type | Ref. |
|-------------------------|--------|
| 24V / 250V | Sq3402 |
| 24V + led white | Sq7402 |
| 24V + led amber | Sq8402 |
| KNX (led & temp sensor) | SqK402 |

| Type | Ref. |
|-------------------------|----------|
| 24V / 250V | Sq343402 |
| 24V + led white | Sq747402 |
| 24V + led amber | Sq848402 |
| KNX (led & temp sensor) | SqK4K402 |

Squares

Textured White



| Type | Ref. |
|-------------------------|--------|
| 24V / 250V | Sq3113 |
| 24V + led white | Sq7113 |
| 24V + led amber | Sq8113 |
| KNX (led & temp sensor) | SqK113 |
| Teleruptor | SqA113 |



| Type | Ref. |
|-------------------------|--------|
| 24V / 250V | Sq3213 |
| 24V + led white | Sq7213 |
| 24V + led amber | Sq8213 |
| KNX (led & temp sensor) | SqK213 |



| Type | Ref. |
|-------------------------|--------|
| 24V / 250V | Sq3413 |
| 24V + led white | Sq7413 |
| 24V + led amber | Sq8413 |
| KNX (led & temp sensor) | SqK413 |



| Socket Type | Ref. | |
|-------------|-------|----------|
| EU | White | Vo0Z0Z13 |
| | Black | Vo0Y0Y13 |
| FR/BE | White | Vo0X0X13 |
| | Black | Vo0W0W13 |



Squares

Stainless Steel

01



| Type | Ref. |
|-------------------------|--------|
| 24V / 250V | Sq3101 |
| 24V + led white | Sq7101 |
| 24V + led amber | Sq8101 |
| KNX (led & temp sensor) | SqK101 |
| Teleruptor | SqA101 |

| Type | Ref. |
|-------------------------|--------|
| 24V / 250V | Sq3201 |
| 24V + led white | Sq7201 |
| 24V + led amber | Sq8201 |
| KNX (led & temp sensor) | SqK201 |

| Type | Ref. |
|-------------------------|--------|
| 24V / 250V | Sq3401 |
| 24V + led white | Sq7401 |
| 24V + led amber | Sq8401 |
| KNX (led & temp sensor) | SqK401 |

| Type | Ref. |
|-------------------------|---------|
| 24V / 250V | Sq34#01 |
| 24V + led white | Sq74#01 |
| 24V + led amber | Sq84#01 |
| KNX (led & temp sensor) | SqK4#01 |

Squares

Textured Black

14



| Type | Ref. |
|-------------------------|--------|
| 24V / 250V | Sq3114 |
| 24V + led white | Sq7114 |
| 24V + led amber | Sq8114 |
| KNX (led & temp sensor) | SqK114 |
| Teleruptor | SqA114 |

| Type | Ref. |
|-------------------------|--------|
| 24V / 250V | Sq3214 |
| 24V + led white | Sq7214 |
| 24V + led amber | Sq8214 |
| KNX (led & temp sensor) | SqK214 |

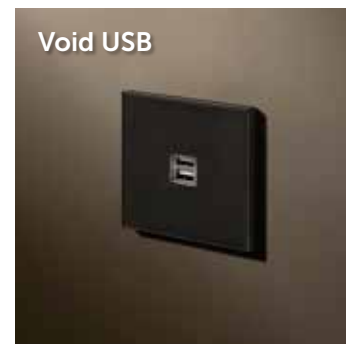
| Type | Ref. |
|-------------------------|--------|
| 24V / 250V | Sq3414 |
| 24V + led white | Sq7414 |
| 24V + led amber | Sq8414 |
| KNX (led & temp sensor) | SqK414 |

| Type | Ref. |
|-------------------------|----------|
| 24V / 250V | Sq0W3214 |
| 24V + led white | Sq0W7214 |
| 24V + led amber | Sq0W8214 |
| KNX (led & temp sensor) | Sq0WK214 |

Squares

Matt Black RAL9011

18



| Type | Ref. |
|-------------------------|--------|
| 24V / 250V | Sq3118 |
| 24V + led white | Sq7118 |
| 24V + led amber | Sq8118 |
| KNX (led & temp sensor) | SqK118 |
| Teleruptor | SqA118 |

| Type | Ref. |
|-------------------------|--------|
| 24V / 250V | Sq3218 |
| 24V + led white | Sq7218 |
| 24V + led amber | Sq8218 |
| KNX (led & temp sensor) | SqK218 |

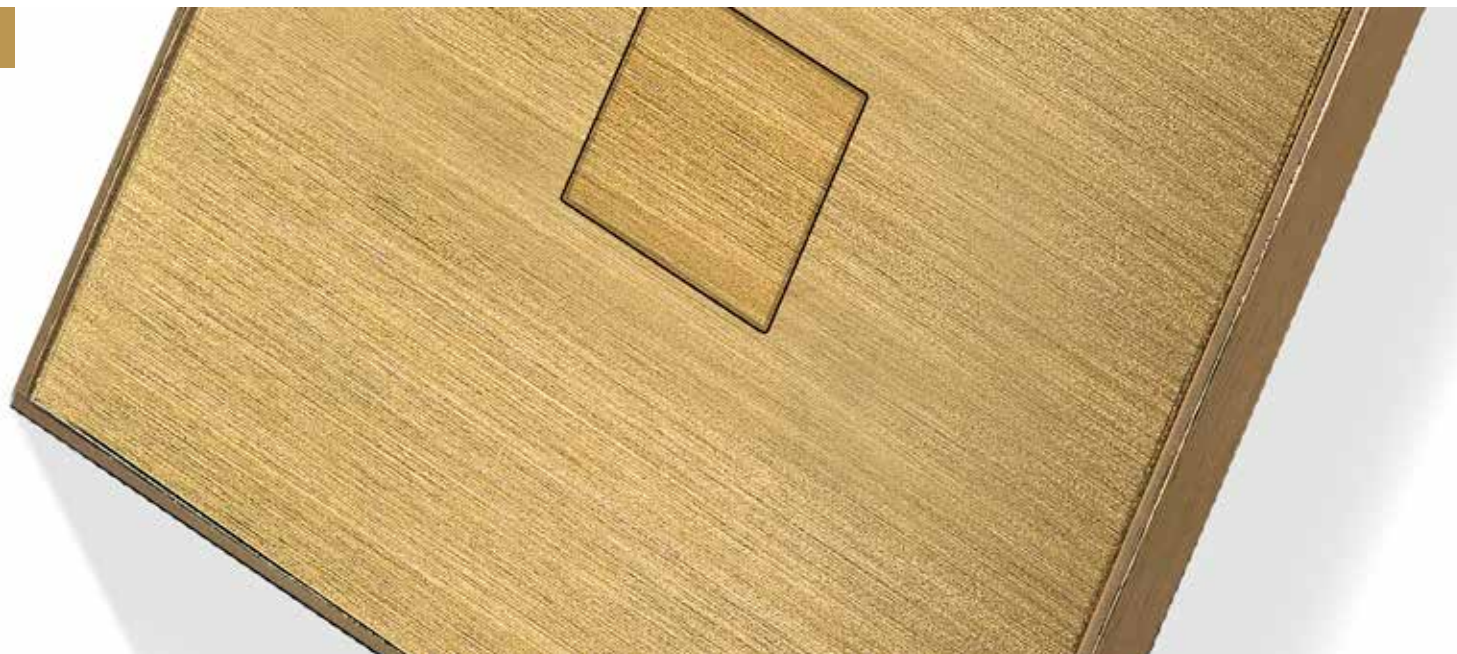
| Type | Ref. |
|-------------------------|--------|
| 24V / 250V | Sq3418 |
| 24V + led white | Sq7418 |
| 24V + led amber | Sq8418 |
| KNX (led & temp sensor) | SqK418 |

| Type | Ref. |
|-----------------|--------|
| USB supply unit | Vo0U18 |

Squares

Brushed Brass

06



| Type | Ref. |
|-------------------------|--------|
| 24V / 250V | Sq3106 |
| 24V + led white | Sq7106 |
| 24V + led amber | Sq8106 |
| KNX (led & temp sensor) | SqK106 |
| Teleruptor | SqA106 |

| Type | Ref. |
|-------------------------|--------|
| 24V / 250V | Sq3206 |
| 24V + led white | Sq7206 |
| 24V + led amber | Sq8206 |
| KNX (led & temp sensor) | SqK206 |

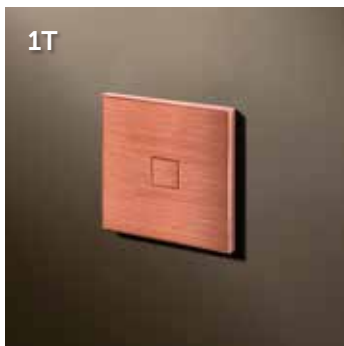
| Type | Ref. |
|-------------------------|--------|
| 24V / 250V | Sq3406 |
| 24V + led white | Sq7406 |
| 24V + led amber | Sq8406 |
| KNX (led & temp sensor) | SqK406 |

| Socket Type | Ref. | |
|-------------|-------|----------|
| EU | White | Vo0Z0Z06 |
| | Black | Vo0Y0Y06 |
| FR/BE | White | Vo0X0X06 |
| | Black | Vo0W0W06 |

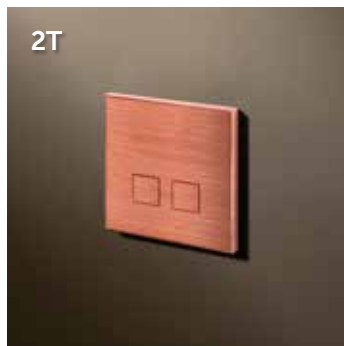
Squares

Copper

1T



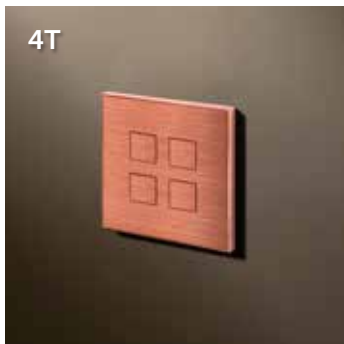
2T



| Type | Ref. |
|-------------------------|--------|
| 24V / 250V | Sq3129 |
| 24V + led white | Sq7129 |
| 24V + led amber | Sq8129 |
| KNX (led & temp sensor) | SqK129 |
| Teleruptor | SqA129 |

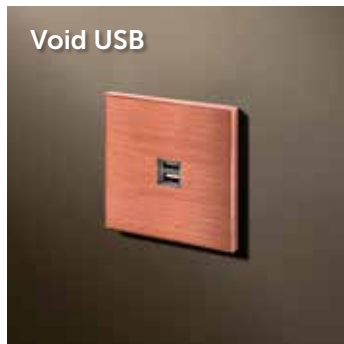
| Type | Ref. |
|-------------------------|--------|
| 24V / 250V | Sq3229 |
| 24V + led white | Sq7229 |
| 24V + led amber | Sq8229 |
| KNX (led & temp sensor) | SqK229 |

4T



| Type | Ref. |
|-------------------------|--------|
| 24V / 250V | Sq3429 |
| 24V + led white | Sq7429 |
| 24V + led amber | Sq8429 |
| KNX (led & temp sensor) | SqK429 |

Void USB



| Type | Ref. |
|-----------------|--------|
| USB supply unit | Vo0U29 |

29



Squares

Gunpowder Black (Fusain)



| Type | Ref. |
|-------------------------|--------|
| 24V / 250V | Sq3103 |
| 24V + led white | Sq7103 |
| 24V + led amber | Sq8103 |
| KNX (led & temp sensor) | SqK103 |
| Teleruptor | SqA103 |

| Type | Ref. |
|-------------------------|--------|
| 24V / 250V | Sq3203 |
| 24V + led white | Sq7203 |
| 24V + led amber | Sq8203 |
| KNX (led & temp sensor) | SqK203 |



| Type | Ref. |
|-------------------------|--------|
| 24V / 250V | Sq3403 |
| 24V + led white | Sq7403 |
| 24V + led amber | Sq8403 |
| KNX (led & temp sensor) | SqK403 |








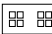



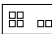



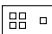



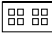


| Type | Ref. |
|-------------------------|----------|
| 24V / 250V | Sq313103 |
| 24V + led white | Sq717103 |
| 24V + led amber | Sq818103 |
| KNX (led & temp sensor) | SqK1K103 |

03






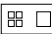

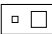

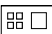

Squares

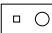

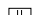
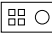

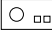

Setups & combinations

| | Type | Ref. | | Ref. |
|--|---|----------|---|--|
| 1T  | ⊙ 24V-250V push button | Sq31xx | 11T  | ⊙ Sq3131xx |
| | ⊙ 24V + led white | Sq71xx | | ⊙ Sq7171xx |
| | ⊙ 24V + led amber | Sq81xx | | ⊙ Sq8181xx |
| |  KNX (led & temp sensor) | SqK1xx | |  SqK1K1xx |
| |  Teleruptor | SqA1xx | |  SqA1A1xx |
| 2T  | ⊙ 24V-250V push button | Sq32xx | 44T  | ⊙ Sq3434xx |
| | ⊙ 24V + led white | Sq72xx | | ⊙ Sq7474xx |
| | ⊙ 24V + led amber | Sq82xx | | ⊙ Sq8484xx |
| |  KNX (led & temp sensor) | SqK2xx | |  SqK4K4xx |
| 3T  | ⊙ 24V-250V push button | Sq33xx | 42T  | ⊙ Sq3432xx |
| | ⊙ 24V + led white | Sq73xx | | ⊙ Sq7472xx |
| | ⊙ 24V + led amber | Sq83xx | | ⊙ Sq8482xx |
| |  KNX (led & temp sensor) | SqK3xx | |  SqK4K2xx |
| 4T  | ⊙ 24V-250V push button | Sq34xx | 41T  | ⊙ Sq3431xx |
| | ⊙ 24V + led white | Sq74xx | | ⊙ Sq7471xx |
| | ⊙ 24V + led amber | Sq84xx | | ⊙ Sq8481xx |
| |  KNX (led & temp sensor) | SqK4xx | |  SqK4K1xx |
| 22T  | ⊙ 24V-250V push button | Sq3232xx | 444T  | ⊙ Sq343434xx |
| | ⊙ 24V + led white | Sq7272xx | | ⊙ Sq747474xx |
| | ⊙ 24V + led amber | Sq8282xx | | ⊙ Sq848484xx |
| |  KNX (led & temp sensor) | SqK2K2xx | |  SqK4K4K4xx |

xx Add the color code at the end for any finish you desire.
 * Add V behind the article code for vertical installation of plate.
⁽¹⁾ Overview frames and compatible modules on page 218.

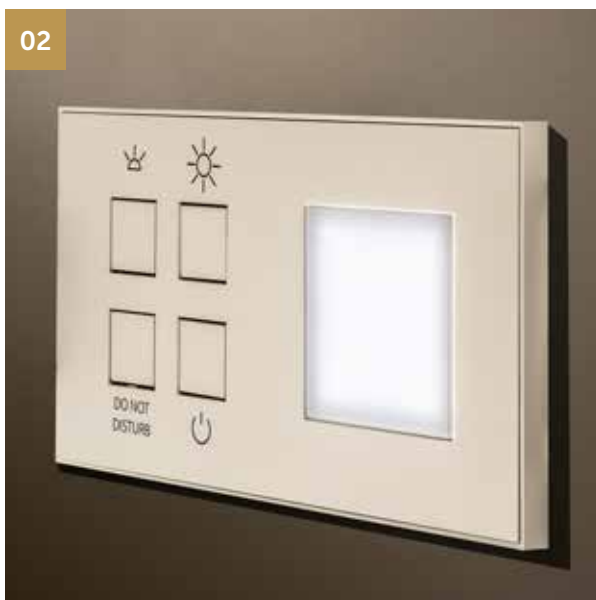
Dimensions & wall boxes:
 see technical guide on page 200-202.

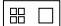
| | Type | Frame A ⁽¹⁾ | Frame B ⁽¹⁾ | Frame C ⁽¹⁾ |
|--|---|------------------------|------------------------|------------------------|
| 1TMG  | ⊙ 24V-250V push button | Sq310Axx | Sq310Bxx | Sq310Cxx |
| | ⊙ 24V + led white | Sq710Axx | Sq710Bxx | Sq710Cxx |
| | ⊙ 24V + led amber | Sq810Axx | Sq810Bxx | Sq810Cxx |
| |  KNX (led & temp sensor) | SqK10Axx | SqK10Bxx | SqK10Cxx |
| |  Teleruptor | SqA10Axx | SqA10Bxx | SqA10Cxx |
| 4TMG  | ⊙ 24V-250V push button | Sq340Axx | Sq340Bxx | Sq340Cxx |
| | ⊙ 24V + led white | Sq740Axx | Sq740Bxx | Sq740Cxx |
| | ⊙ 24V + led amber | Sq840Axx | Sq840Bxx | Sq840Cxx |
| |  KNX (led & temp sensor) | SqK40Axx | SqK40Bxx | SqK40Cxx |
| 1TMMG  | ⊙ 24V-250V push button | Sq310A0Axx | Sq310B0Bxx | Sq310C0Cxx |
| | ⊙ 24V + led white | Sq710A0Axx | Sq710B0Bxx | Sq710C0Cxx |
| | ⊙ 24V + led amber | Sq810A0Axx | Sq810B0Bxx | Sq810C0Cxx |
| |  KNX (led & temp sensor) | SqK10A0Axx | SqK10B0Bxx | SqK10C0Cxx |
| 4TMMG  | ⊙ 24V-250V push button | Sq340A0Axx | Sq340B0Bxx | Sq340C0Cxx |
| | ⊙ 24V + led white | Sq740A0Axx | Sq740B0Bxx | Sq740C0Cxx |
| | ⊙ 24V + led amber | Sq840A0Axx | Sq840B0Bxx | Sq840C0Cxx |
| |  KNX (led & temp sensor) | SqK40A0Axx | SqK40B0Bxx | SqK40C0Cxx |

| | Type | EU | | FR/BE | |
|---|---|----------|----------|----------|----------|
| | | White | Black | White | Black |
| 1T1V  | ⊙ 24V-250V push button | Sq310Zxx | Sq310Yxx | Sq310Xxx | Sq310Wxx |
| | ⊙ 24V + led white | Sq710Zxx | Sq710Yxx | Sq710Xxx | Sq710Wxx |
| | ⊙ 24V + led amber | Sq810Zxx | Sq810Yxx | Sq810Xxx | Sq810Wxx |
| |  KNX (led & temp sensor) | SqK10Zxx | SqK10Yxx | SqK10Xxx | SqK10Wxx |
| |  Teleruptor | SqA10Zxx | SqA10Yxx | SqA10Xxx | SqA10Wxx |
| 4T1V  | ⊙ 24V-250V push button | Sq340Zxx | Sq340Yxx | Sq340Xxx | Sq340Wxx |
| | ⊙ 24V + led white | Sq740Zxx | Sq740Yxx | Sq740Xxx | Sq740Wxx |
| | ⊙ 24V + led amber | Sq840Zxx | Sq840Yxx | Sq840Xxx | Sq840Wxx |
| |  KNX (led & temp sensor) | SqK40Zxx | SqK40Yxx | SqK40Xxx | SqK40Wxx |
| 1V2T  | ⊙ 24V-250V push button | Sq0Z32xx | Sq0Y32xx | Sq0X32xx | Sq0W32xx |
| | ⊙ 24V + led white | Sq0Z72xx | Sq0Y72xx | Sq0X72xx | Sq0W72xx |
| | ⊙ 24V + led amber | Sq0Z82xx | Sq0Y82xx | Sq0X82xx | Sq0W82xx |
| |  KNX (led & temp sensor) | Sq0ZK2xx | Sq0YK2xx | Sq0XK2xx | Sq0WK2xx |

Squares

Colors



 Sq340S02 **Matt White - 4TMG + Printed symbols with Q Light**



Textured White RAL9010



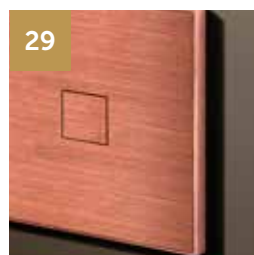
Stainless Steel



Matt Black RAL9011



Textured Black RAL9011



Copper






Gunpowder Black (Fusain)



Brushed Brass

— Combine Squares with Void.

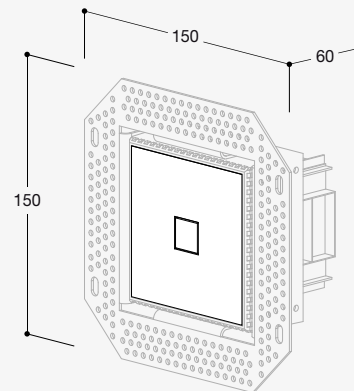
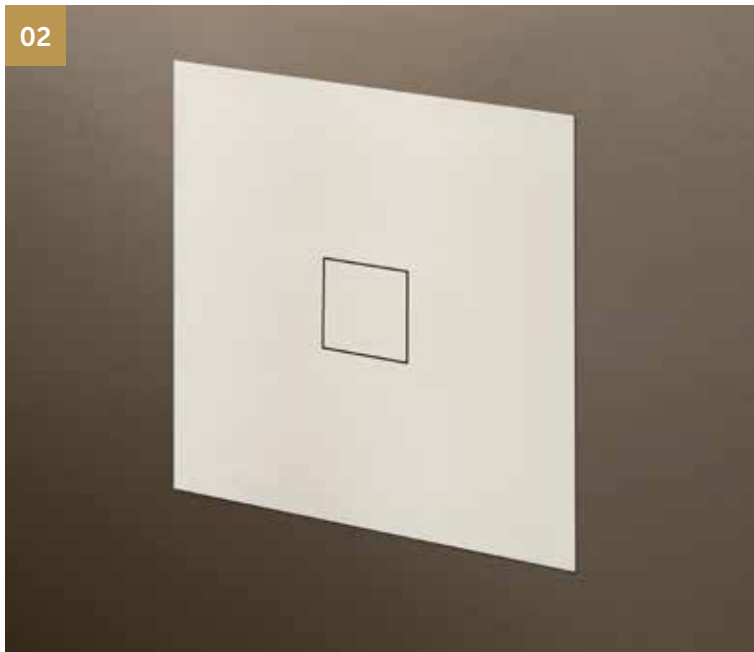
| | Technology | Ref. |
|-------|---|----------|
| 1TUSB | ⊙ 24V-250V push button | Sq310Uxx |
| | ⊙ 24V + led white | Sq710Uxx |
| | ⊙ 24V + led amber | Sq810Uxx |
| |  KNX (led & temp sensor) | SqK10Uxx |
| |  Teleruptor | SqA10Uxx |
| 4TUSB | ⊙ 24V-250V push button | Sq340Uxx |
| | ⊙ 24V + led white | Sq740Uxx |
| | ⊙ 24V + led amber | Sq840Uxx |
| |  KNX (led & temp sensor) | SqK40Uxx |

— Get in touch for combinations
and personalisation on demand.

Squares Flush

Trimless solution

02

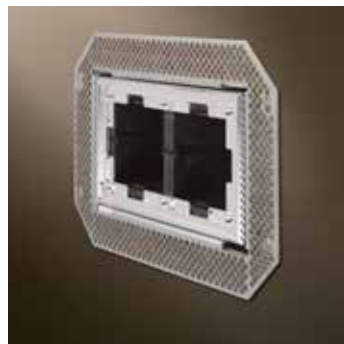


Available in

- 24V / 250V
- 24V + feedback led white
- 24V + feedback led amber
- KNX sensor
- Teleruptor



Installation frame 1 ACC001

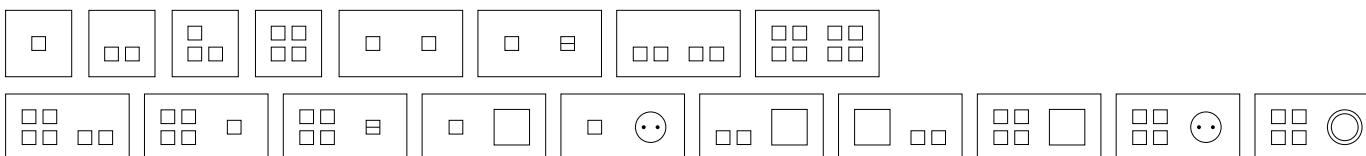


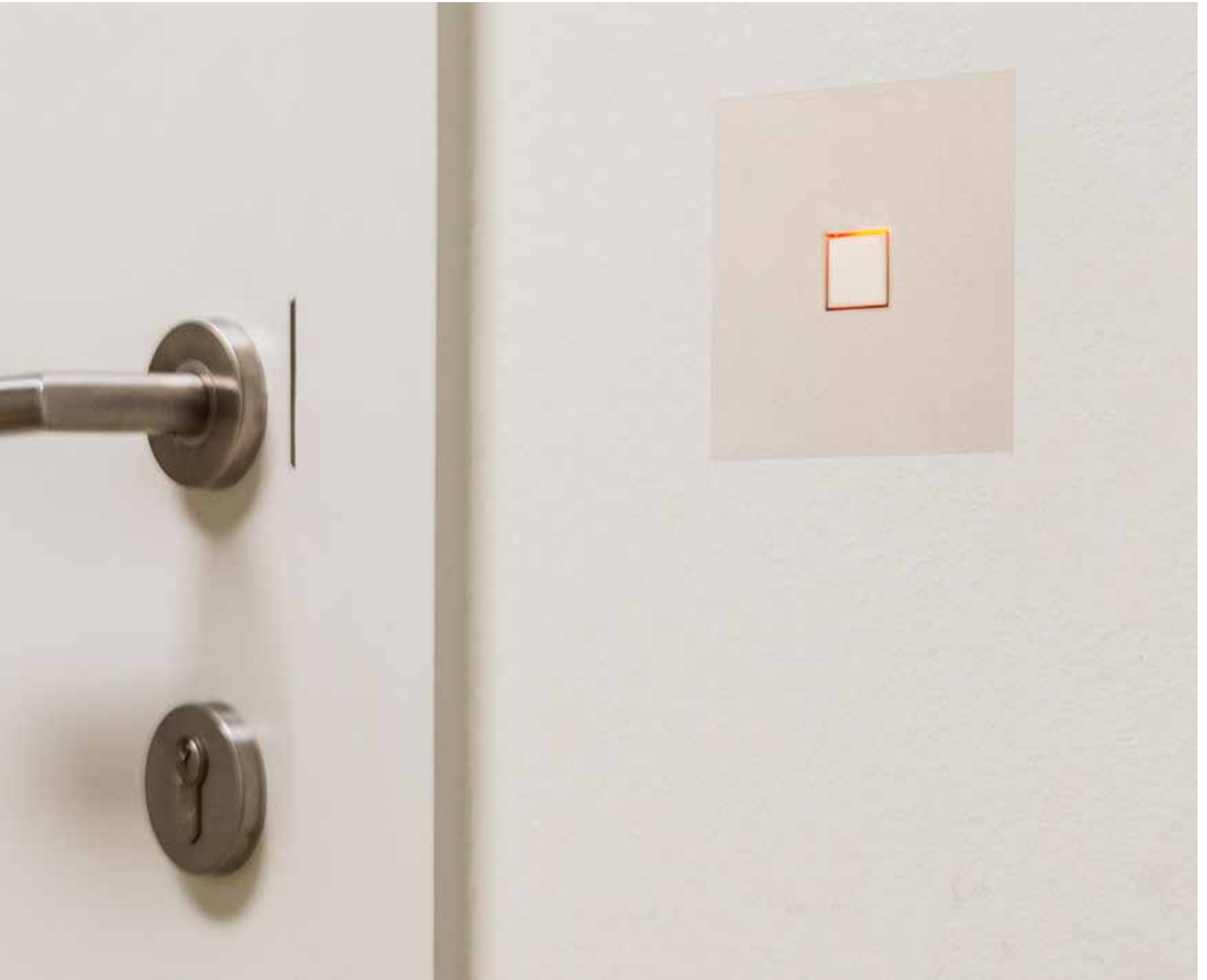
Installation frame 2 ACC002

Combine

Ever thought about combining?
Void works great with Squares Flush.
For combinations and personalisation
on demand, check page 222.

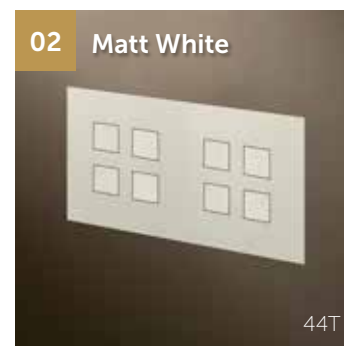
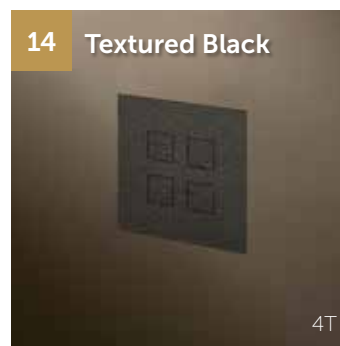
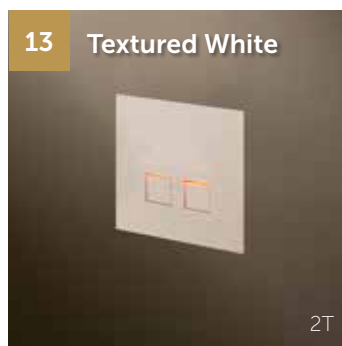
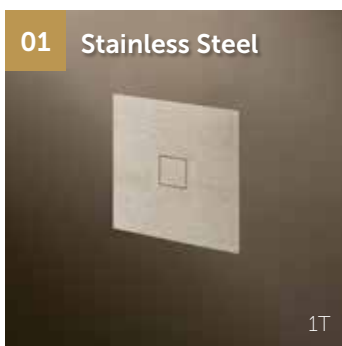
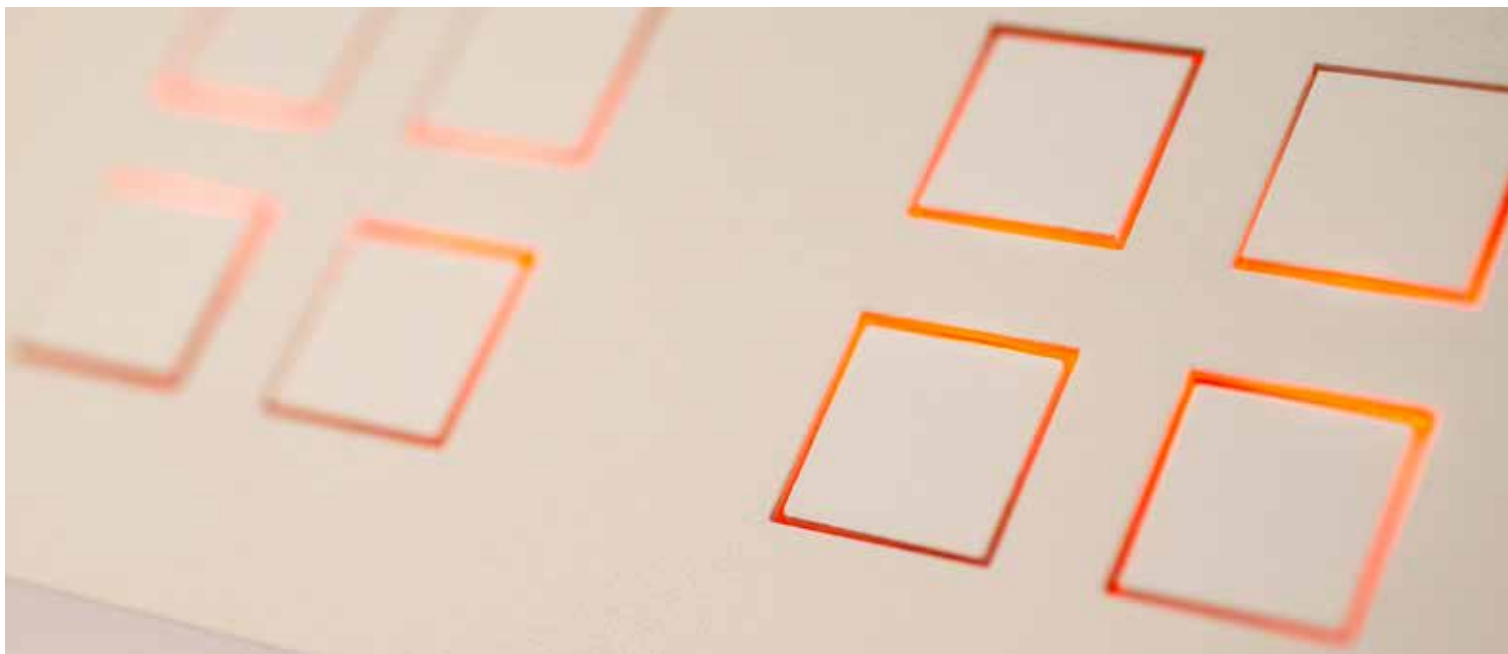
* Installation: see page 220 (dry wall) and page 221 (solid wall).





Squares Flush

Trimless solution











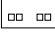

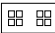




| Type | Ref. |
|-------------------------|--------|
| 24V / 250V | SF3101 |
| 24V + led white | SF7101 |
| 24V + led amber | SF8101 |
| KNX (led & temp sensor) | SFK101 |
| Teleruptor | SFA101 |

| Type | Ref. |
|-------------------------|--------|
| 24V / 250V | SF3213 |
| 24V + led white | SF7213 |
| 24V + led amber | SF8213 |
| KNX (led & temp sensor) | SFK213 |

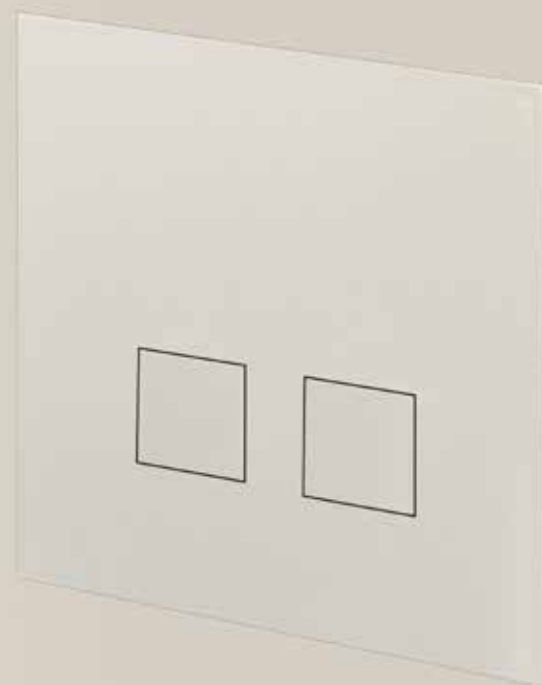
| Type | Ref. |
|-------------------------|--------|
| 24V / 250V | SF3414 |
| 24V + led white | SF7414 |
| 24V + led amber | SF8414 |
| KNX (led & temp sensor) | SFK414 |

| Type | Ref. |
|-------------------------|----------|
| 24V / 250V | SF343402 |
| 24V + led white | SF747402 |
| 24V + led amber | SF848402 |
| KNX (led & temp sensor) | SFK4K402 |

| | Technology | Ref. |
|--|---|----------|
| 1T  | ⊙ 24V-250V push button | SF31xx |
| | ⊙ 24V + led white | SF71xx |
| | ⊙ 24V + led amber | SF81xx |
| |  KNX (led & temp sensor) | SFK1xx |
| |  Teleruptor | SFA1xx |
| 2T  | ⊙ 24V-250V push button | SF32xx |
| | ⊙ 24V + led white | SF72xx |
| | ⊙ 24V + led amber | SF82xx |
| |  KNX (led & temp sensor) | SFK2xx |
| 3T  | ⊙ 24V-250V push button | SF33xx |
| | ⊙ 24V + led white | SF73xx |
| | ⊙ 24V + led amber | SF83xx |
| 4T  |  KNX (led & temp sensor) | SFK3xx |
| | ⊙ 24V-250V push button | SF34xx |
| | ⊙ 24V + led white | SF74xx |
| | ⊙ 24V + led amber | SF84xx |
| 11T  |  KNX (led & temp sensor) | SFK4xx |
| | ⊙ 24V-250V push button | SF3131xx |
| | ⊙ 24V + led white | SF7171xx |
| | ⊙ 24V + led amber | SF8181xx |
| 22T  |  Teleruptor | SFA1A1xx |
| | ⊙ 24V-250V push button | SF3232xx |
| | ⊙ 24V + led white | SF7272xx |
| 44T  | ⊙ 24V + led amber | SF8282xx |
| |  KNX (led & temp sensor) | SFK2K2xx |
| | ⊙ 24V-250V push button | SF3434xx |
| | ⊙ 24V + led white | SF7474xx |
| | ⊙ 24V + led amber | SF8484xx |
| |  KNX (led & temp sensor) | SFK4K4xx |

xx Add the color code at the end for any finish you desire.

Installation of Flush products always together with installation frames for plaster.
 See technical guide on page 220-221.



Lithoss

07. Dimmer

Design by Lithoss

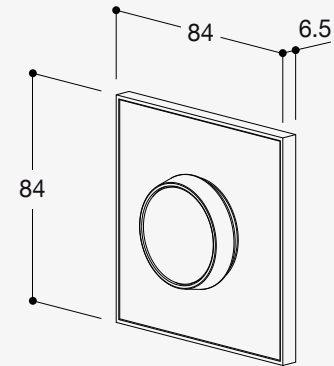
For our DIMMER collection with its contemporary vintage look we let ourselves be inspired by the handles and cone-shaped buttons in a cockpit. Thanks to dimming modules and home automation systems dimming has become a normal thing now. But nothing can beat the feeling of turning a real button and creating atmosphere and cosiness. Lithoss allows you to do this in style.

The button's design – the traditional cone shape or the diamond-pattern knurl shape – is a piece of real craftsmanship: manufactured in a masterly way, with an excellent grip and an authentic touch. In combination with the cockpit switch you can integrate a contemporary vintage look in your interior in a stylish manner.



Dimmer

46 Textured Black + Brass Knurl



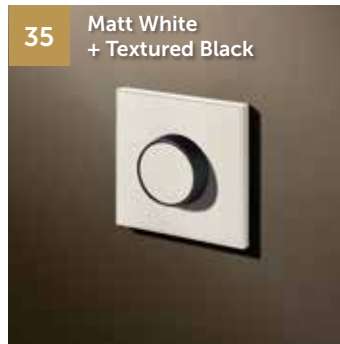
Available in

1-10V

02 Matt White



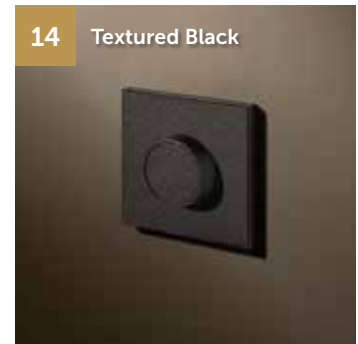
35 Matt White + Textured Black



03 Gunpowder Black (Fusain)



14 Textured Black



| Type | Ref. |
|-------|--------|
| 1-10V | Dm0D02 |

| Type | Ref. |
|-------|--------|
| 1-10V | Dm0D35 |

| Type | Ref. |
|-------|--------|
| 1-10V | Dm0D03 |

| Type | Ref. |
|-------|--------|
| 1-10V | Dm0D14 |

— Other dim protocols under development. Volume control on request.

32 Textured Black + Nickel



| Type | Ref. |
|-------|--------|
| 1-10V | Dm0D32 |

38 Stainless Steel + Knurl



| Type | Ref. |
|-------|--------|
| 1-10V | Dm0D38 |

01 Stainless Steel



| Type | Ref. |
|-------|--------|
| 1-10V | Dm0D01 |

46 Textured Black + Brass

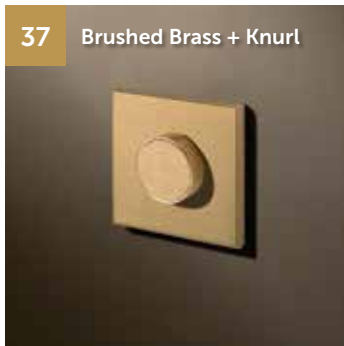


| Type | Ref. |
|-------|--------|
| 1-10V | Dm0D46 |

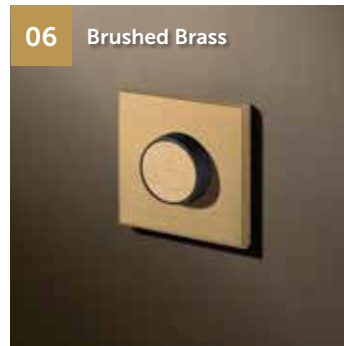




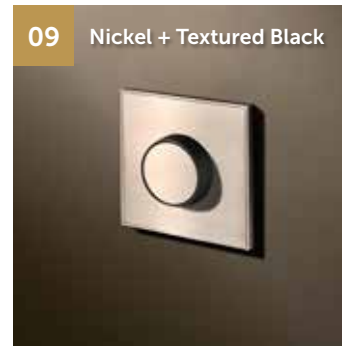
Dimmer



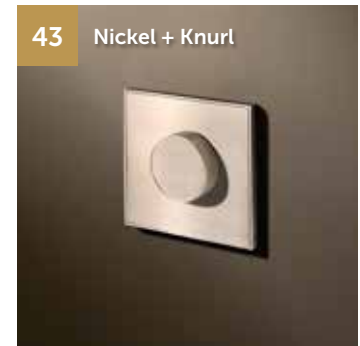
| Type | Ref. |
|-------|--------|
| 1-10V | Dm0D37 |



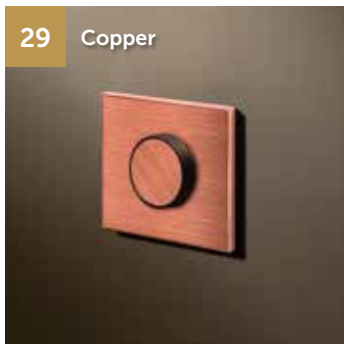
| Type | Ref. |
|-------|--------|
| 1-10V | Dm0D06 |



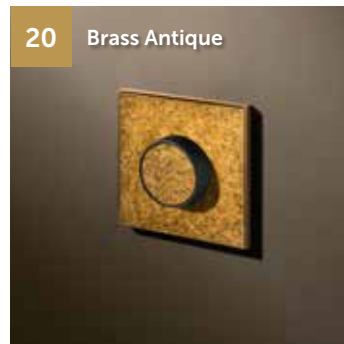
| Type | Ref. |
|-------|--------|
| 1-10V | Dm0D09 |



| Type | Ref. |
|-------|--------|
| 1-10V | Dm0D43 |



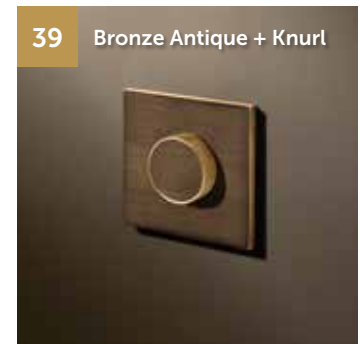
| Type | Ref. |
|-------|--------|
| 1-10V | Dm0D29 |



| Type | Ref. |
|-------|--------|
| 1-10V | Dm0D20 |



| Type | Ref. |
|-------|--------|
| 1-10V | Dm0D19 |



| Type | Ref. |
|-------|--------|
| 1-10V | Dm0D39 |



Lithoss
08. **Void**

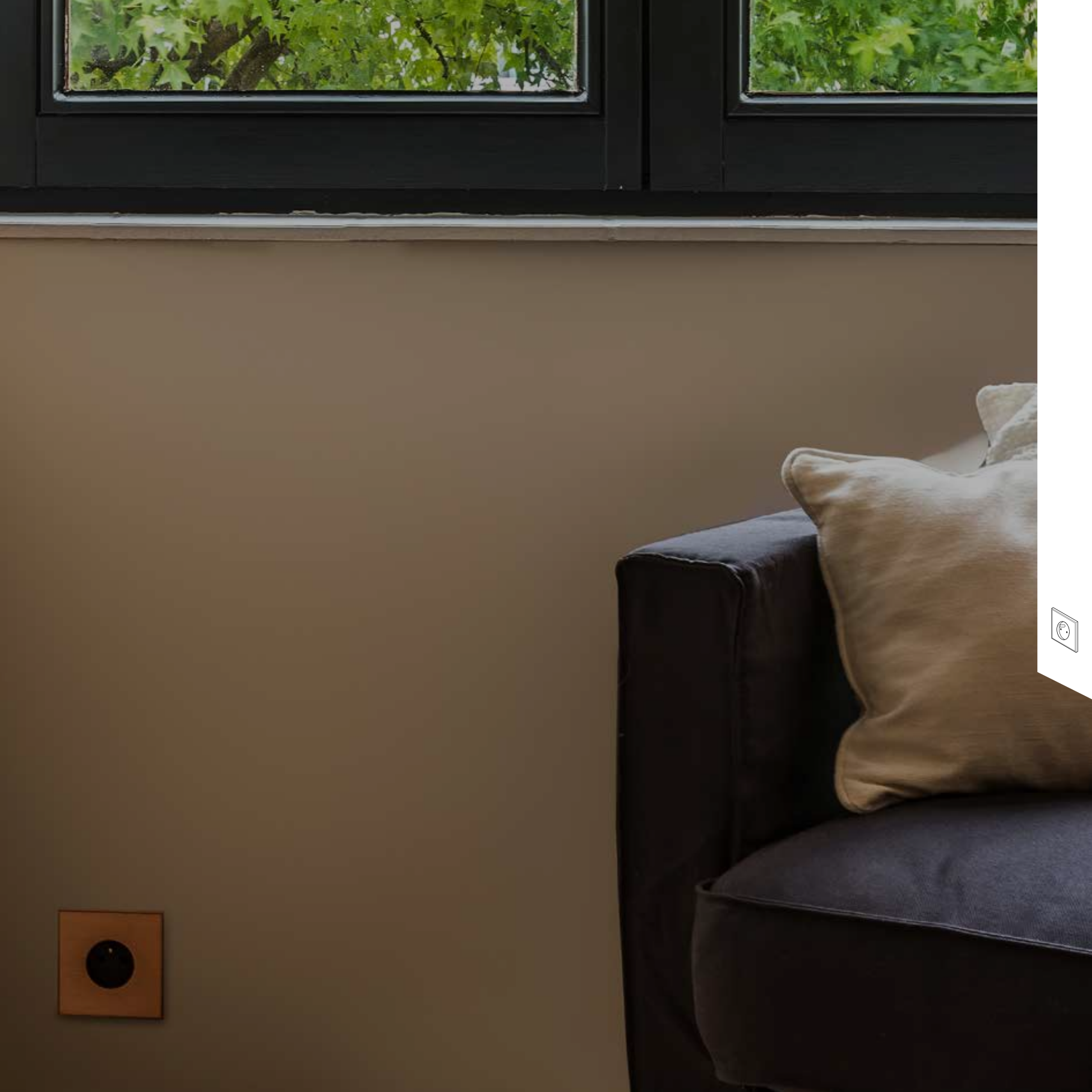
Design by Lithoss & Bart Spillemaeckers

VOID comprises a range of sockets that fit in perfectly with Lithoss's design philosophy.

The Lithoss USB charger is an extremely fast charger (2A) that charges most devices quicker than the standard adapters that are supplied by the manufacturers! The USB charger can be easily installed on every standard (European) wall box that connects directly to 230V. Thanks to the indication LED you are able to monitor the status of the charging process.

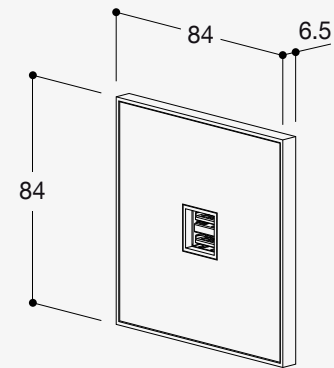
Void Square is a range of sockets with a square opening, suitable for the integration of 45' modules such as sockets, thermostats, RJ45, coax TV etc.

Void Round is the series of round sockets. The power outlet is discretely hidden behind the cover plate, giving it that perfect sleek look. This product range allows you to integrate your preferred Lithoss finish in your complete interior.



Void USB

01 Stainless Steel



| Type | Ref. |
|--------------------|--------|
| USB supply unit 2A | Vo0Uxx |

Features

Fast charger 2A - 10W

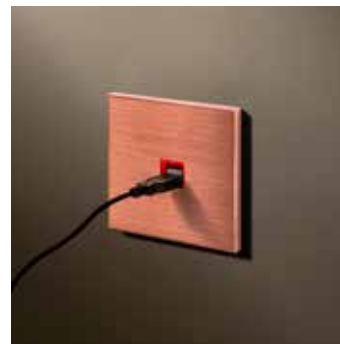
Operates at 250V

Status indication led

Lithoss design

Ideal to combine with

— Select, Squares & Cockpit



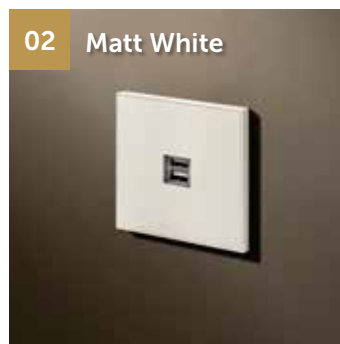
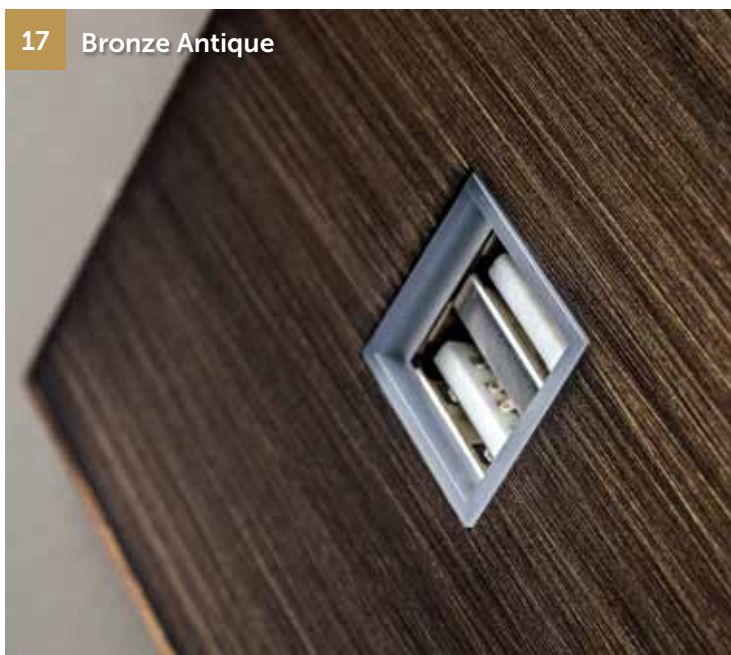
Charging



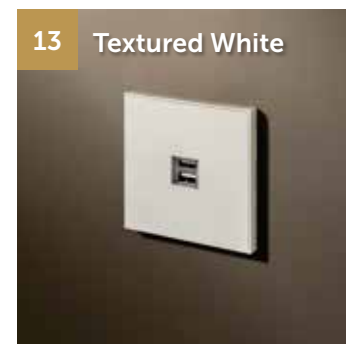
Fully charged



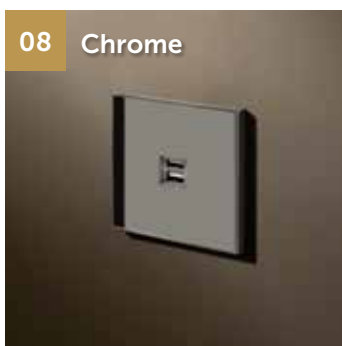
Void USB



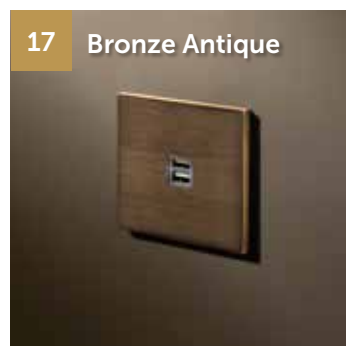
| Type | Ref. |
|--------------------|--------|
| USB supply unit 2A | Vo0U02 |



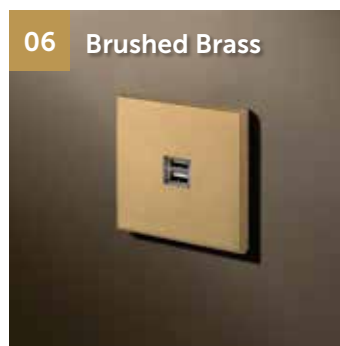
| Type | Ref. |
|--------------------|--------|
| USB supply unit 2A | Vo0U13 |



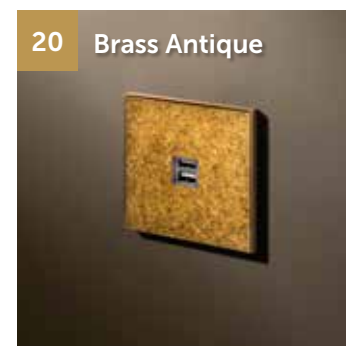
| Type | Ref. |
|--------------------|--------|
| USB supply unit 2A | Vo0U08 |



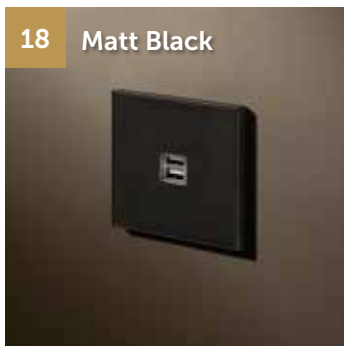
| Type | Ref. |
|--------------------|--------|
| USB supply unit 2A | Vo0U17 |



| Type | Ref. |
|--------------------|--------|
| USB supply unit 2A | Vo0U06 |

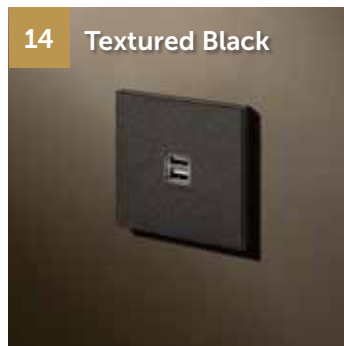


| Type | Ref. |
|--------------------|--------|
| USB supply unit 2A | Vo0U20 |



18 Matt Black

| Type | Ref. |
|--------------------|--------|
| USB supply unit 2A | Vo0U18 |



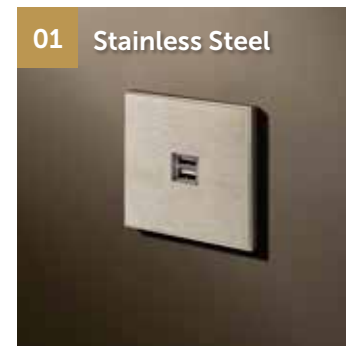
14 Textured Black

| Type | Ref. |
|--------------------|--------|
| USB supply unit 2A | Vo0U14 |



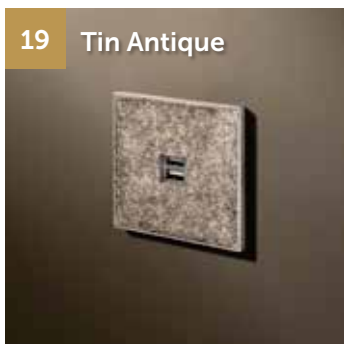
03 Gunpowder Black

| Type | Ref. |
|--------------------|--------|
| USB supply unit 2A | Vo0U03 |



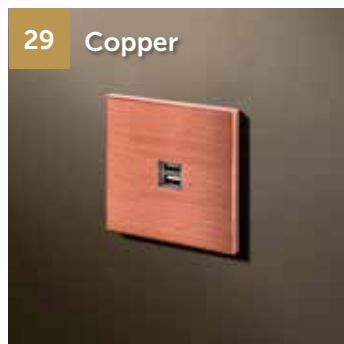
01 Stainless Steel

| Type | Ref. |
|--------------------|--------|
| USB supply unit 2A | Vo0U01 |



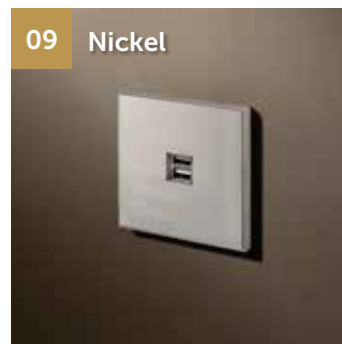
19 Tin Antique

| Type | Ref. |
|--------------------|--------|
| USB supply unit 2A | Vo0U19 |



29 Copper

| Type | Ref. |
|--------------------|--------|
| USB supply unit 2A | Vo0U29 |



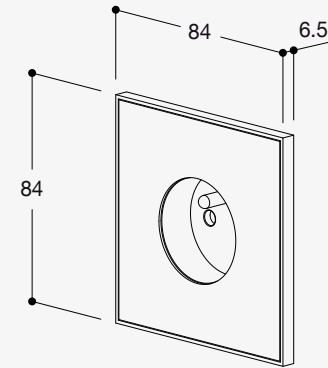
09 Nickel

| Type | Ref. |
|--------------------|--------|
| USB supply unit 2A | Vo0U09 |



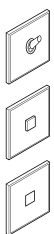
Void Round

01 Stainless Steel



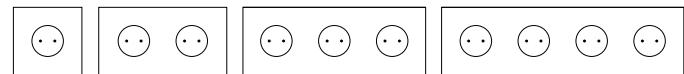
| Socket Type | Color | Ref. |
|-------------|-------|------|
| EU | White | Z |
| | Black | Y |
| FR/BE | White | X |
| | Black | W |

Sockets included.



Combine



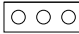
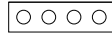
Ever thought about combining? Void works great with Cockpit, Select and Squares. For combinations and personalisation on demand, check page 222.



— Dimensions & wall boxes: see technical guide on page 200-202.

02 Matt White



| Socket Type |  |  |  |  |
|-------------|---|---|---|---|
| EU | White | Vo0Z02 | Vo0Z0Z02 | Vo0Z0Z0Z02 |
| | Black | Vo0Y02 | Vo0Y0Y02 | Vo0Y0Y0Y02 |
| FR/BE | White | Vo0X02 | Vo0X0X02 | Vo0X0X0X02 |
| | Black | Vo0W02 | Vo0W0W02 | Vo0W0W0W02 |



Void Round


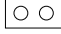
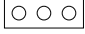
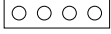
13 Textured White



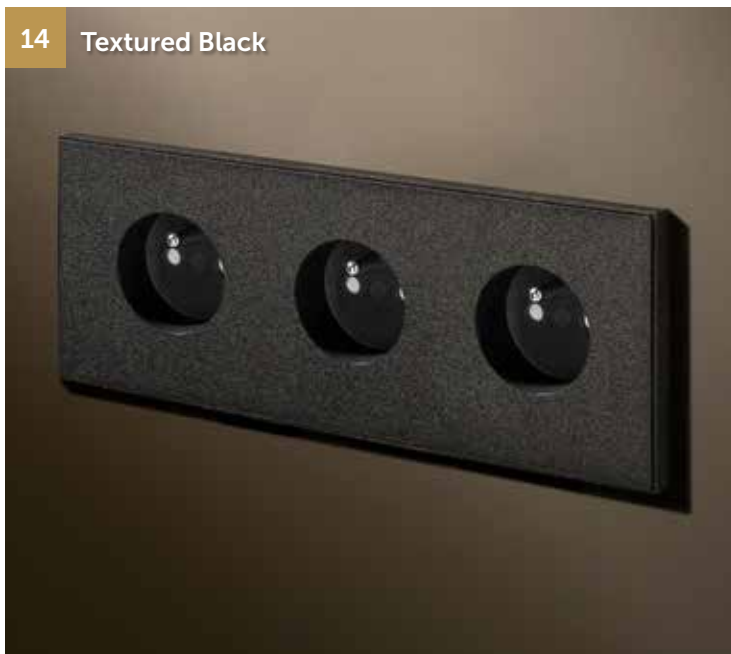
| Socket Type |  |  |  |  |
|-------------|---|---|---|---|
| EU | White | Vo0Z13 | Vo0Z0Z13 | Vo0Z0Z0Z13 |
| | Black | Vo0Y13 | Vo0Y0Y13 | Vo0Y0Y0Y13 |
| FR/BE | White | Vo0X13 | Vo0X0X13 | Vo0X0X0X13 |
| | Black | Vo0W13 | Vo0W0W13 | Vo0W0W0W13 |





18 Matt Black RAL9011



| Socket Type |  |  |  |  |
|-------------|---|---|---|---|
| EU | White | Vo0Z18 | Vo0Z0Z18 | Vo0Z0Z0Z18 |
| | Black | Vo0Y18 | Vo0Y0Y18 | Vo0Y0Y0Y18 |
| FR/BE | White | Vo0X18 | Vo0X0X18 | Vo0X0X0X18 |
| | Black | Vo0W18 | Vo0W0W18 | Vo0W0W0W18 |

14 Textured Black



| Socket Type |  |  |  |  |
|-------------|---|---|---|---|
| EU | White | Vo0Z14 | Vo0Z0Z14 | Vo0Z0Z0Z14 |
| | Black | Vo0Y14 | Vo0Y0Y14 | Vo0Y0Y0Y14 |
| FR/BE | White | Vo0X14 | Vo0X0X14 | Vo0X0X0X14 |
| | Black | Vo0W14 | Vo0W0W14 | Vo0W0W0W14 |

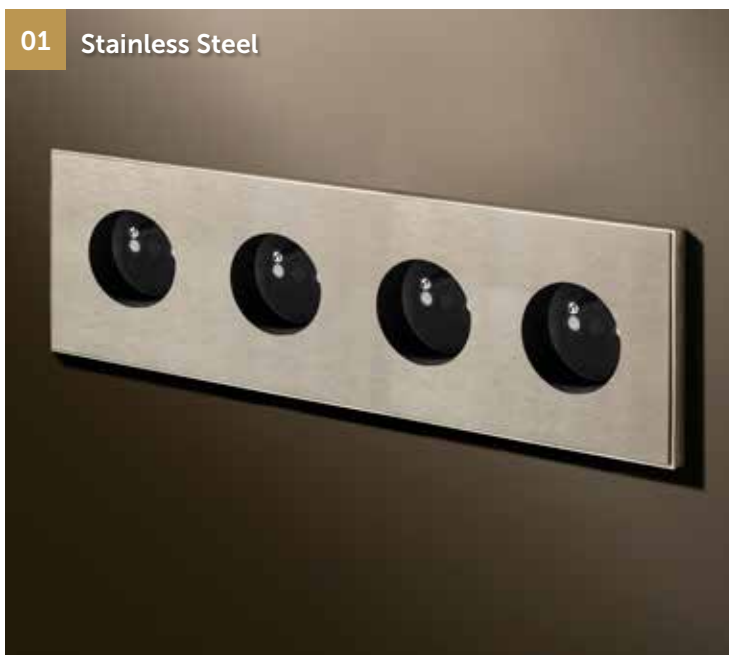
03 Gunpowder Black (Fusain)

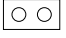


| Socket Type |  |  |  |  |
|-------------|---|---|---|---|
| EU | White | Vo0Z03 | Vo0Z0Z03 | Vo0Z0Z0Z03 |
| | Black | Vo0Y03 | Vo0Y0Y03 | Vo0Y0Y0Y03 |
| FR/BE | White | Vo0X03 | Vo0X0X03 | Vo0X0X0X03 |
| | Black | Vo0W03 | Vo0W0W03 | Vo0W0W0W03 |


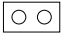
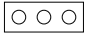
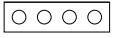


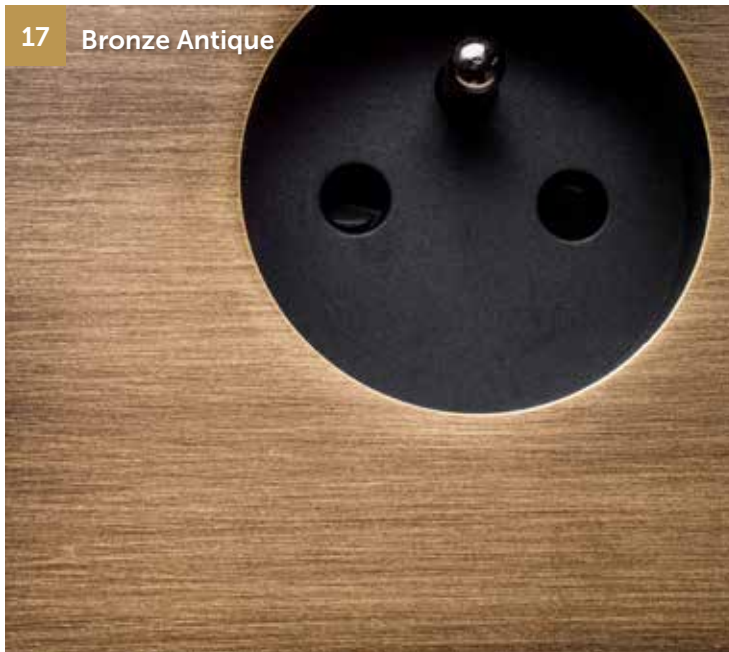
Void Round




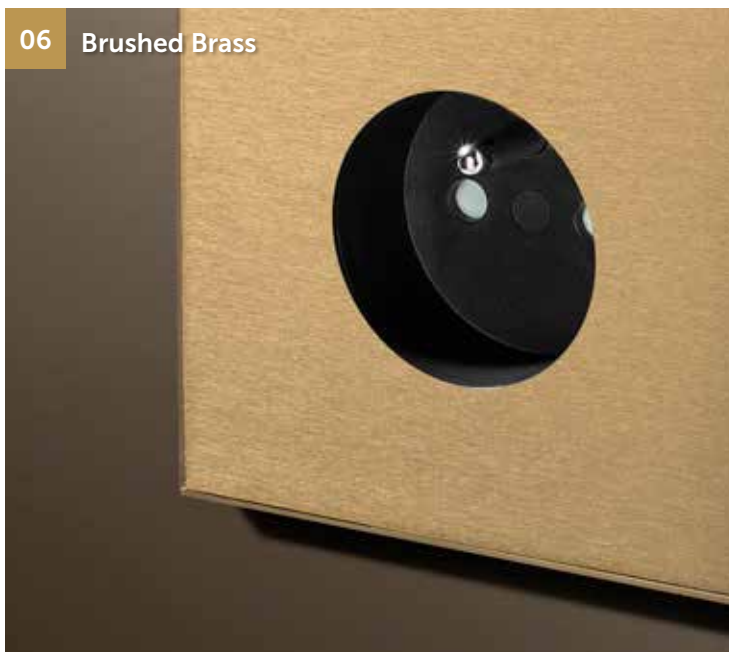
| Socket Type |  |  |  |  |
|-------------|---|---|---|---|
| EU | White | Vo0Z01 | Vo0Z0Z01 | Vo0Z0Z0Z01 |
| | Black | Vo0Y01 | Vo0Y0Y01 | Vo0Y0Y0Y01 |
| FR/BE | White | Vo0X01 | Vo0X0X01 | Vo0X0X0X01 |
| | Black | Vo0W01 | Vo0W0W01 | Vo0W0W0W01 |



| Socket Type |  |  |  |  |
|-------------|---|---|---|---|
| EU | White | Vo0Z08 | Vo0Z0Z08 | Vo0Z0Z0Z08 |
| | Black | Vo0Y08 | Vo0Y0Y08 | Vo0Y0Y0Y08 |
| FR/BE | White | Vo0X08 | Vo0X0X08 | Vo0X0X0X08 |
| | Black | Vo0W08 | Vo0W0W08 | Vo0W0W0W08 |



| Socket Type |  |  |  |  |
|-------------|---|---|---|---|
| EU | White | Vo0Z17 | Vo0Z0Z17 | Vo0Z0Z0Z17 |
| | Black | Vo0Y17 | Vo0Y0Y17 | Vo0Y0Y0Y17 |
| FR/BE | White | Vo0X17 | Vo0X0X17 | Vo0X0X0X17 |
| | Black | Vo0W17 | Vo0W0W17 | Vo0W0W0W17 |

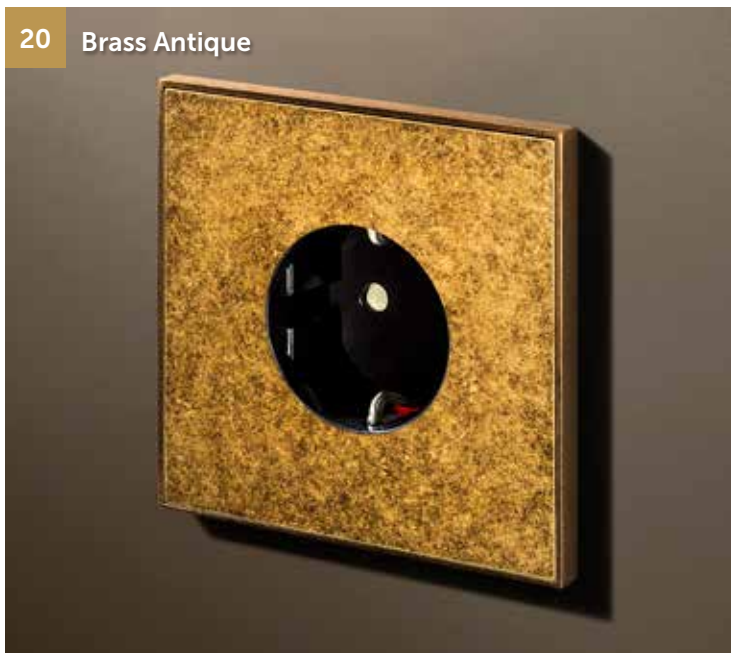


| Socket Type |  |  |  |  |
|-------------|---|---|---|---|
| EU | White | Vo0Z06 | Vo0Z0Z06 | Vo0Z0Z0Z06 |
| | Black | Vo0Y06 | Vo0Y0Y06 | Vo0Y0Y0Y06 |
| FR/BE | White | Vo0X06 | Vo0X0X06 | Vo0X0X0X06 |
| | Black | Vo0W06 | Vo0W0W06 | Vo0W0W0W06 |



Void Round


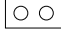
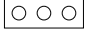
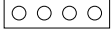
20 Brass Antique



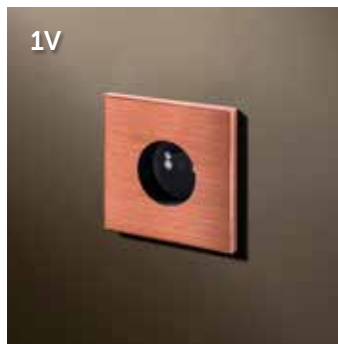
| Socket Type |  |  |  |  |
|-------------|---|---|---|---|
| EU | White | Vo0Z20 | Vo0Z0Z20 | Vo0Z0Z0Z20 |
| | Black | Vo0Y20 | Vo0Y0Y20 | Vo0Y0Y0Y20 |
| FR/BE | White | Vo0X20 | Vo0X0X20 | Vo0X0X0X20 |
| | Black | Vo0W20 | Vo0W0W20 | Vo0W0W0W20 |

19 Tin Antique



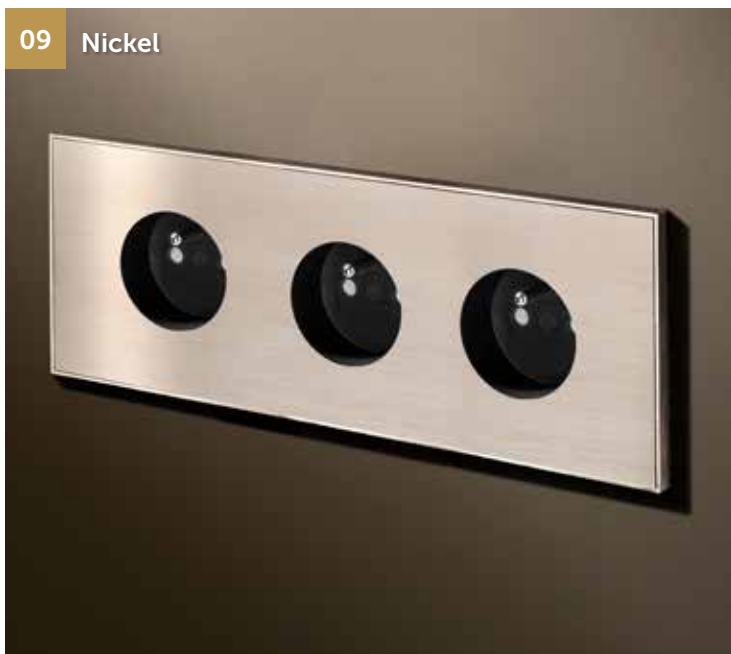
| Socket Type |  |  |  |  |
|-------------|---|---|---|---|
| EU | White | Vo0Z19 | Vo0Z0Z19 | Vo0Z0Z0Z19 |
| | Black | Vo0Y19 | Vo0Y0Y19 | Vo0Y0Y0Y19 |
| FR/BE | White | Vo0X19 | Vo0X0X19 | Vo0X0X0X19 |
| | Black | Vo0W19 | Vo0W0W19 | Vo0W0W0W19 |

29 Copper



| Socket Type |  |  |  |  |
|-------------|---|---|---|---|
| EU | White | Vo0Z29 | Vo0Z0Z29 | Vo0Z0Z0Z29 |
| | Black | Vo0Y29 | Vo0Y0Y29 | Vo0Y0Y0Y29 |
| FR/BE | White | Vo0X29 | Vo0X0X29 | Vo0X0X0X29 |
| | Black | Vo0W29 | Vo0W0W29 | Vo0W0W0W29 |

09 Nickel

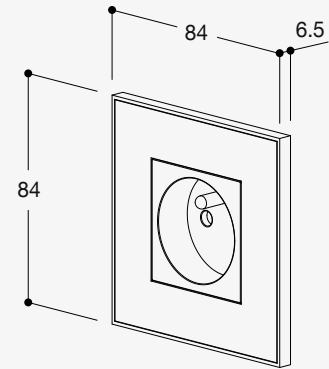
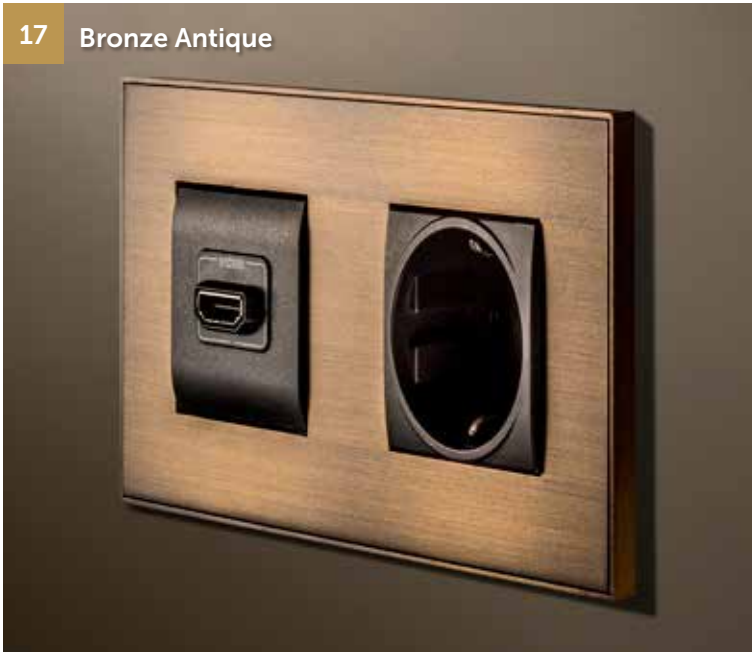


| Socket Type |  |  |  |  |
|-------------|---|---|---|---|
| EU | White | Vo0Z09 | Vo0Z0Z09 | Vo0Z0Z0Z09 |
| | Black | Vo0Y09 | Vo0Y0Y09 | Vo0Y0Y0Y09 |
| FR/BE | White | Vo0X09 | Vo0X0X09 | Vo0X0X0X09 |
| | Black | Vo0W09 | Vo0W0W09 | Vo0W0W0W09 |



Void Square

17 Bronze Antique



Frame

A (Bticino)

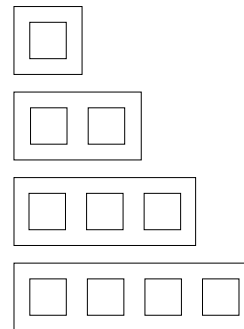
B (Legrand/Hager/Peha)

C (Vimar)

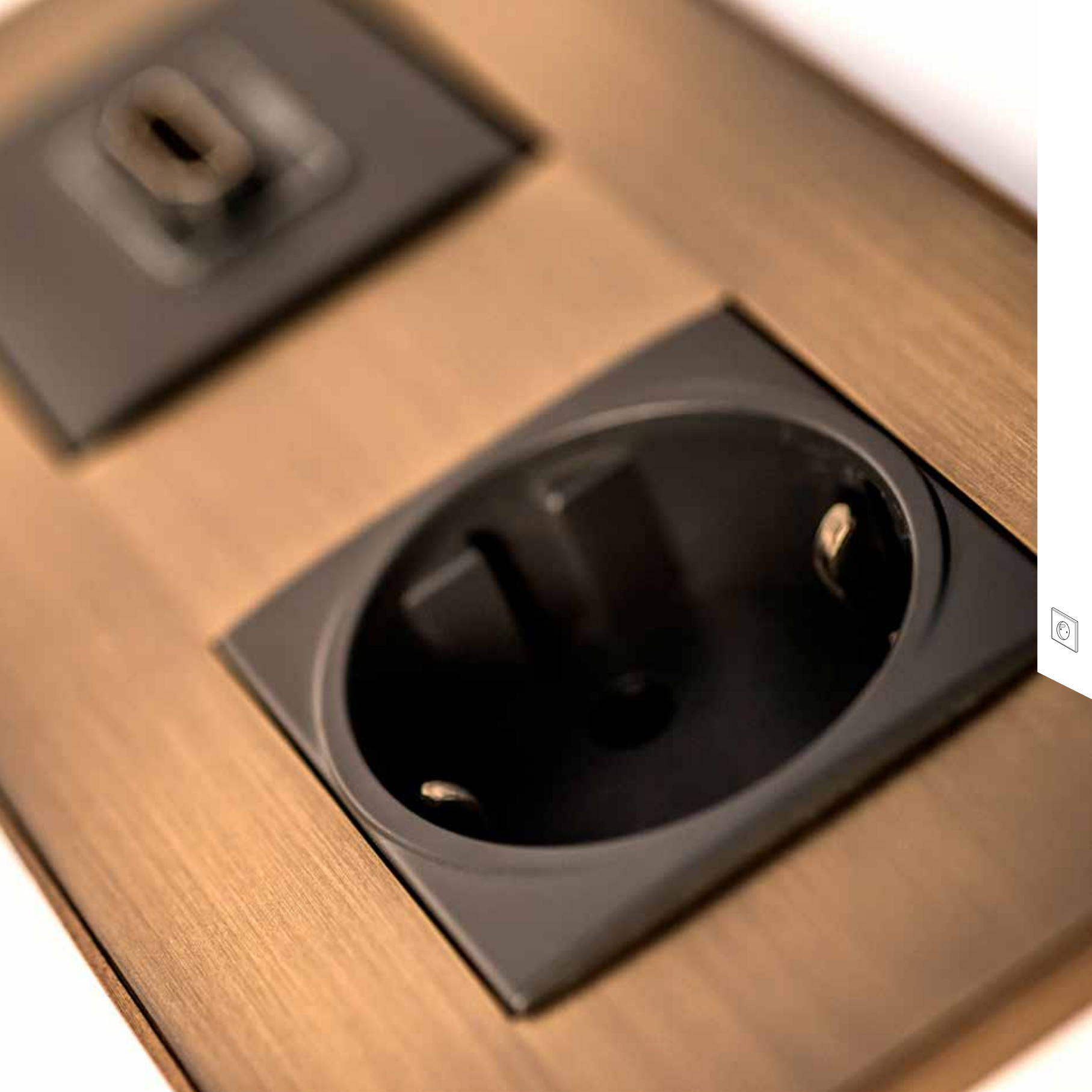
Modules not included.

Combine

Ever thought about combining? Void works great with Cockpit, Select and Squares. For combinations and personalisation on demand, check page 222.





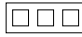

— Dimensions & wall boxes: see technical guide on page 200-202.



Void Square



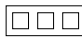

02 Matt White



| Frame |  |  |  |  |
|------------------------|---|---|---|---|
| A (Bticino) | Vo0A02 | Vo0A0A02 | Vo0A0A0A02 | Vo0A0A0A0A02 |
| B (Legrand/Hager/Peha) | Vo0B02 | Vo0B0B02 | Vo0B0B0B02 | Vo0B0B0B0B02 |
| C (Vimar) | Vo0C02 | Vo0C0C02 | Vo0C0C0C02 | Vo0C0C0C0C02 |



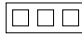

01 Stainless Steel



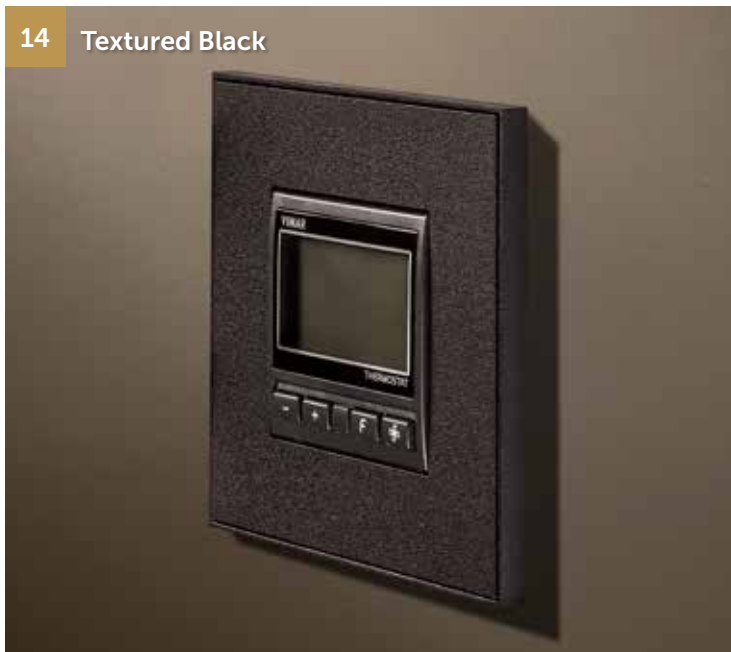
| Frame |  |  |  |  |
|------------------------|---|---|---|---|
| A (Bticino) | Vo0A01 | Vo0A0A01 | Vo0A0A0A01 | Vo0A0A0A0A01 |
| B (Legrand/Hager/Peha) | Vo0B01 | Vo0B0B01 | Vo0B0B0B01 | Vo0B0B0B0B01 |
| C (Vimar) | Vo0C01 | Vo0C0C01 | Vo0C0C0C01 | Vo0C0C0C0C01 |


18 Matt Black



| Frame |  |  |  |  |
|------------------------|---|---|---|---|
| A (Bticino) | Vo0A18 | Vo0A0A18 | Vo0A0A0A18 | Vo0A0A0A0A18 |
| B (Legrand/Hager/Peha) | Vo0B18 | Vo0B0B18 | Vo0B0B0B18 | Vo0B0B0B0B18 |
| C (Vimar) | Vo0C18 | Vo0C0C18 | Vo0C0C0C18 | Vo0C0C0C0C18 |

14 Textured Black

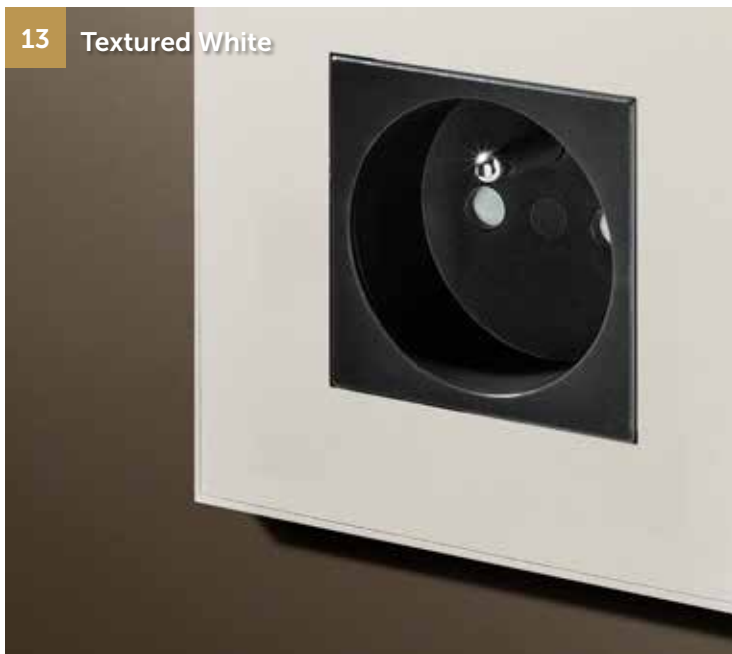




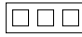

| Frame |  |  |  |  |
|------------------------|---|---|---|---|
| A (Bticino) | Vo0A14 | Vo0A0A14 | Vo0A0A0A14 | Vo0A0A0A0A14 |
| B (Legrand/Hager/Peha) | Vo0B14 | Vo0B0B14 | Vo0B0B0B14 | Vo0B0B0B0B14 |
| C (Vimar) | Vo0C14 | Vo0C0C14 | Vo0C0C0C14 | Vo0C0C0C0C14 |



Void Square

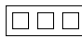

13 Textured White



| Frame |  |  |  |  |
|------------------------|---|---|---|---|
| A (Bticino) | Vo0A13 | Vo0A0A13 | Vo0A0A0A13 | Vo0A0A0A0A13 |
| B (Legrand/Hager/Peha) | Vo0B13 | Vo0B0B13 | Vo0B0B0B13 | Vo0B0B0B0B13 |
| C (Vimar) | Vo0C13 | Vo0C0C13 | Vo0C0C0C13 | Vo0C0C0C0C13 |

03 Gunpowder Black (Fusain)



| Frame |  |  |  |  |
|------------------------|---|---|---|---|
| A (Bticino) | Vo0A03 | Vo0A0A03 | Vo0A0A0A03 | Vo0A0A0A0A03 |
| B (Legrand/Hager/Peha) | Vo0B03 | Vo0B0B03 | Vo0B0B0B03 | Vo0B0B0B0B03 |
| C (Vimar) | Vo0C03 | Vo0C0C03 | Vo0C0C0C03 | Vo0C0C0C0C03 |

Void Square

08 Chrome



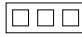



MG

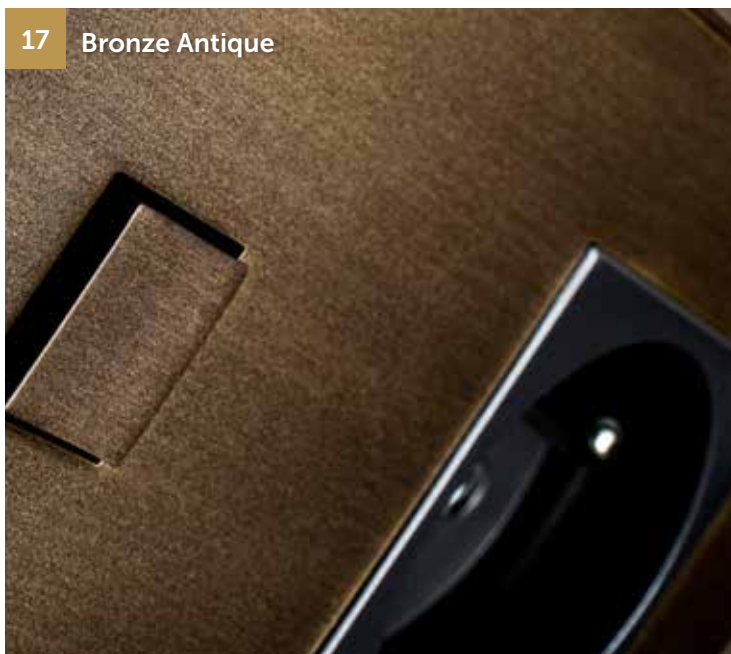


MMG



| Frame |  |  |  |  |
|------------------------|---|---|---|---|
| A (Bticino) | Vo0A08 | Vo0A0A08 | Vo0A0A0A08 | Vo0A0A0A0A08 |
| B (Legrand/Hager/Peha) | Vo0B08 | Vo0B0B08 | Vo0B0B0B08 | Vo0B0B0B0B08 |
| C (Vimar) | Vo0C08 | Vo0C0C08 | Vo0C0C0C08 | Vo0C0C0C0C08 |

17 Bronze Antique



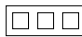



MG



MMG



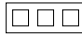



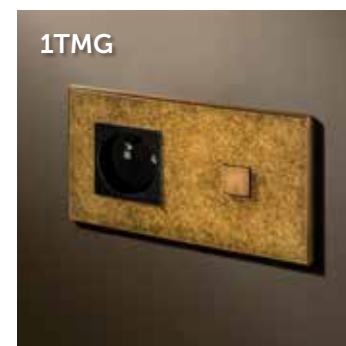
| Frame |  |  |  |  |
|------------------------|---|---|---|---|
| A (Bticino) | Vo0A17 | Vo0A0A17 | Vo0A0A0A17 | Vo0A0A0A0A17 |
| B (Legrand/Hager/Peha) | Vo0B17 | Vo0B0B17 | Vo0B0B0B17 | Vo0B0B0B0B17 |
| C (Vimar) | Vo0C17 | Vo0C0C17 | Vo0C0C0C17 | Vo0C0C0C0C17 |



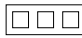


Void Square

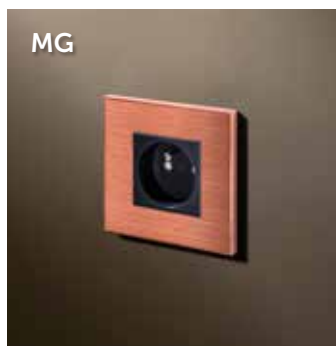
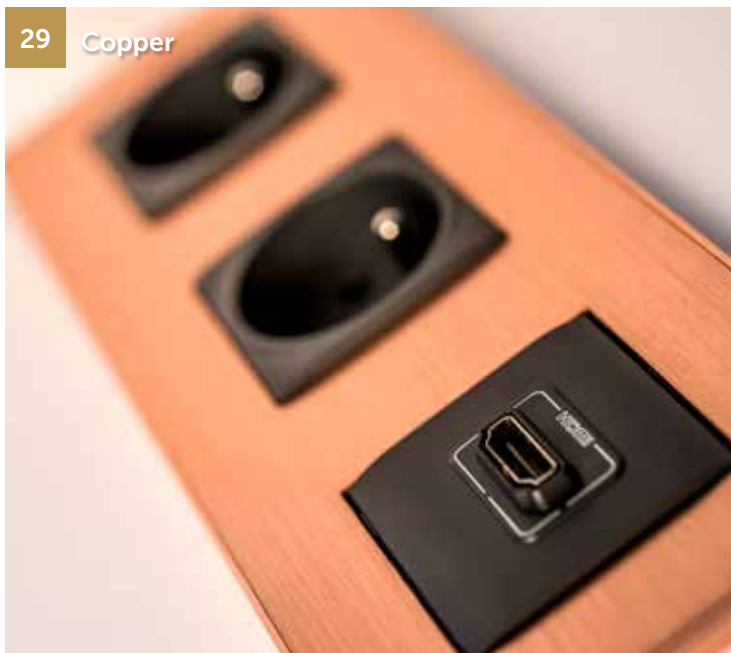


| Frame |  |  |  |  |
|------------------------|---|---|---|---|
| A (Bticino) | Vo0A19 | Vo0A0A19 | Vo0A0A0A19 | Vo0A0A0A0A19 |
| B (Legrand/Hager/Peha) | Vo0B19 | Vo0B0B19 | Vo0B0B0B19 | Vo0B0B0B0B19 |
| C (Vimar) | Vo0C19 | Vo0C0C19 | Vo0C0C0C19 | Vo0C0C0C0C19 |



| Frame |  |  |  |  |
|------------------------|---|---|---|---|
| A (Bticino) | Vo0A20 | Vo0A0A20 | Vo0A0A0A20 | Vo0A0A0A0A20 |
| B (Legrand/Hager/Peha) | Vo0B20 | Vo0B0B20 | Vo0B0B0B20 | Vo0B0B0B0B20 |
| C (Vimar) | Vo0C20 | Vo0C0C20 | Vo0C0C0C20 | Vo0C0C0C0C20 |



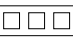

29 Copper



| Frame |  |  |  |  |
|------------------------|---|---|---|---|
| A (Bticino) | Vo0A29 | Vo0A0A29 | Vo0A0A0A29 | Vo0A0A0A0A29 |
| B (Legrand/Hager/Peha) | Vo0B29 | Vo0B0B29 | Vo0B0B0B29 | Vo0B0B0B0B29 |
| C (Vimar) | Vo0C29 | Vo0C0C29 | Vo0C0C0C29 | Vo0C0C0C0C29 |

06 Brushed Brass

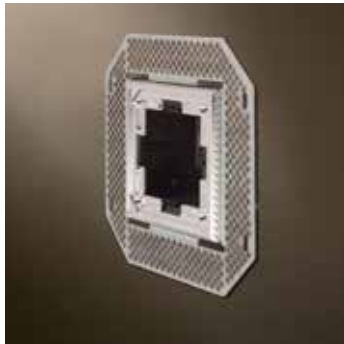
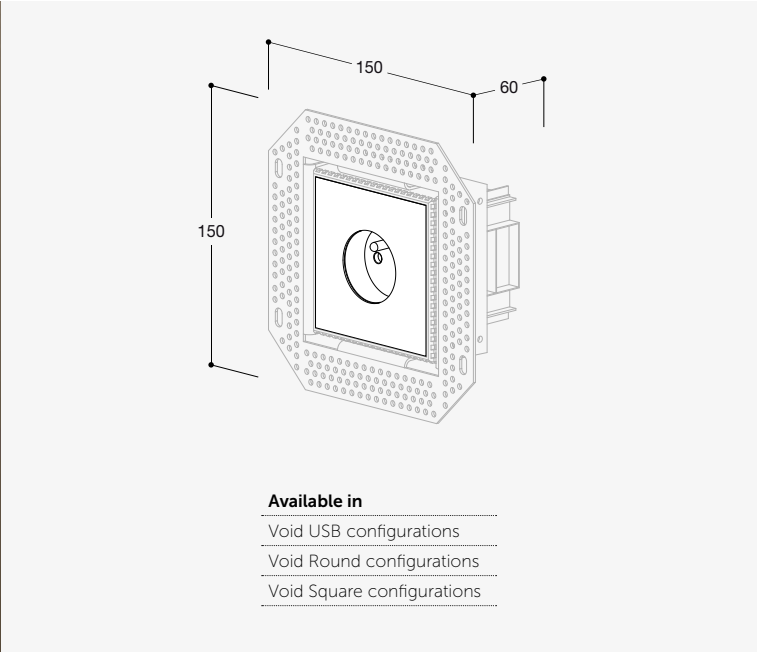


| Frame |  |  |  |  |
|------------------------|---|---|---|---|
| A (Bticino) | Vo0A06 | Vo0A0A06 | Vo0A0A0A06 | Vo0A0A0A0A06 |
| B (Legrand/Hager/Peha) | Vo0B06 | Vo0B0B06 | Vo0B0B0B06 | Vo0B0B0B0B06 |
| C (Vimar) | Vo0C06 | Vo0C0C06 | Vo0C0C0C06 | Vo0C0C0C0C06 |

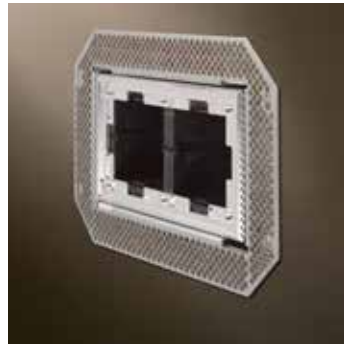


Void Flush

Trimless solution

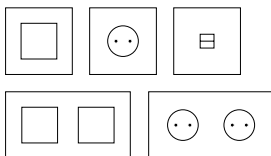


Installation frame 1 ACC001



Installation frame 2 ACC002

* Installation: see page 220 (dry wall) and page 221 (solid wall).



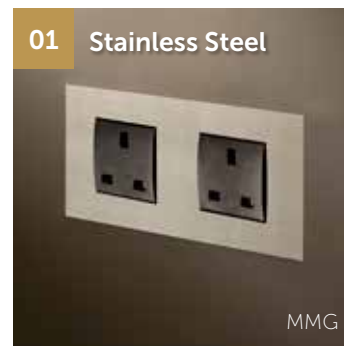
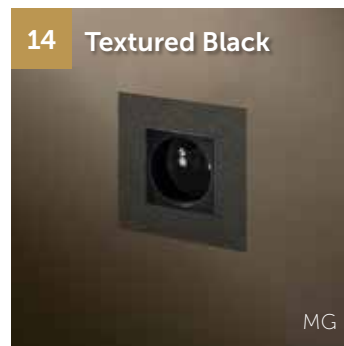
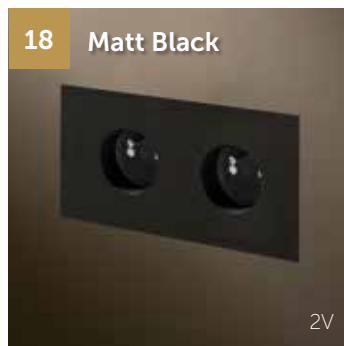
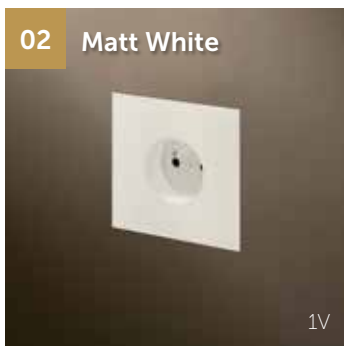
Combine


Ever thought about combining?
Void works great with Squares/Select Flush.
For combinations and personalisation
on demand, check page 222.

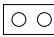


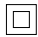
Void Flush


Trimless solution




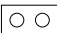

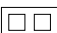



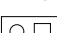
| Socket Type | |  |
|-------------|-------|---|
| EU | White | VFOZxx |
| | Black | VF0Yxx |
| FR/BE | White | VFOXxx |
| | Black | VFOWxx |

| Socket Type | |  |
|-------------|-------|---|
| EU | White | VFOZ0Zxx |
| | Black | VF0Y0Yxx |
| FR/BE | White | VFOX0Xxx |
| | Black | VFOW0Wxx |

| Frame | |  |
|------------------------|--|---|
| A (Bticino) | | VFOAxx |
| B (Legrand/Hager/Peha) | | VF0Bxx |
| C (Vimar) | | VFOCxx |

| Frame | |  |
|------------------------|--|---|
| A (Bticino) | | VFOA0Axx |
| B (Legrand/Hager/Peha) | | VF0B0Bxx |
| C (Vimar) | | VFOC0Cxx |

01

| | Type | Ref. | |
|---|------------------------|----------|----------|
| 1V  | EU | white | VFOZxx |
| | | black | VFOYxx |
| | FR/BE | white | VFOXxx |
| | | black | VFOWxx |
| 2V  | EU | white | VFOZOZxx |
| | | black | VFOYOYxx |
| | FR/BE | white | VFOXOXxx |
| | | black | VFOWOWxx |
| MG  | A (Bticino) | VFOAxx | |
| | B (Legrand/Hager/Peha) | VFOBxx | |
| | C (Vimar) | VFOCxx | |
| MMG  | A (Bticino) | VFOAOAxx | |
| | B (Legrand/Hager/Peha) | VFOB0Bxx | |
| | C (Vimar) | VFOC0Cxx | |
|  USB | USB supply unit 2A | VFOUxx | |
| USB + 1V  | EU | white | VFOU0Zxx |
| | | black | VFOU0Yxx |
| | FR/BE | white | VFOU0Xxx |
| | | black | VFOU0Wxx |
| USB + MG  | A (Bticino) | VFOU0Axx | |
| | B (Legrand/Hager/Peha) | VFOU0Bxx | |
| | C (Vimar) | VFOU0Cxx | |
| 1VMG  | EU | white | VFOZ0#xx |
| | | black | VFOV0#xx |
| | FR/BE | white | VFOV0#xx |
| | | black | VFOV0#xx |

Add the frame code A (Bticino), B (Legrand/Hager/Peha) or C (Vimar).

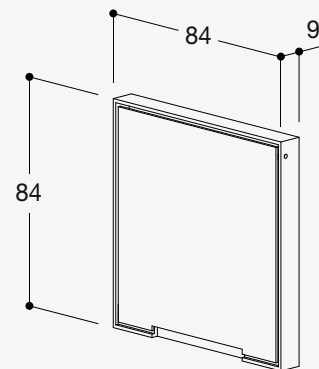
xx Add the color code at the end for any finish you desire.

Installation of Flush products always together with installation frames for plaster.
 See technical guide on page 220.



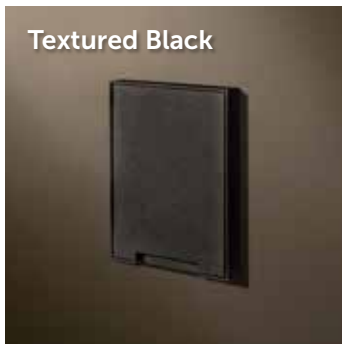
Void MK

14 Textured Black



| Type | Ref. |
|------------|---------|
| 24V / 250V | Pi1P102 |
| KNX | Pi1P802 |

Textured Black



| Frame | Ref. |
|------------------------|--------|
| A (Bticino) | VoMA14 |
| B (Legrand/Hager/Peha) | VoMB14 |
| C (Vimar) | VoMC14 |

Textured White



| Frame | Ref. |
|------------------------|--------|
| A* (Bticino) | VoMA13 |
| B (Legrand/Hager/Peha) | VoMB13 |
| C (Vimar) | VoMC13 |



Vacuum Socket



| Frame | Ref. |
|-------|--------|
| ETP | Sn0Vxx |

Standard available in Textured White & Textured Black.





Lithoss

09. Piano

Design by David Dos Santos Antonio

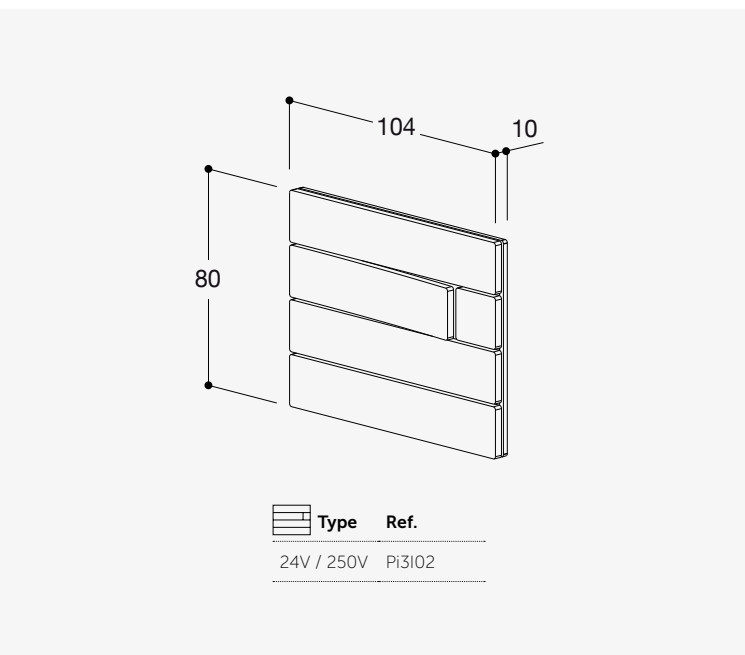
Its design makes the PIANO more than an ordinary switch. It transforms it into a discreet, yet original object in your interior. It has been designed by the young and upcoming talented Belgian designer David dos Santos to look like soft piano keys. The PIANO is frameless, minimalistic and simple. The PIANO has been developed with a high-end composite material enriched with exclusive minerals to create a cold 'Corian-like' feel. The material emphasises the high quality standards of Lithoss products.

PIANO has picked up national and international design awards.



Piano

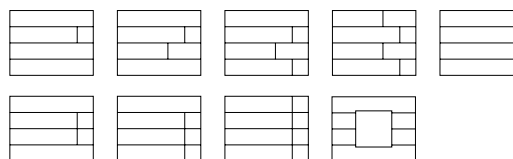
02 Matt white RAL9010



Compose

Your switch like the keyboard of a piano.

___ Play with different colors.





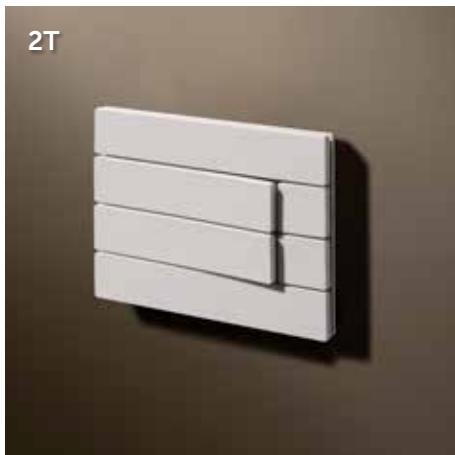
| Type | Ref. |
|------------|--------|
| 24V / 250V | PI3J02 |



| Type | Ref. |
|------------|--------|
| 24V / 250V | PI3K02 |



| Type | Ref. |
|------------|--------|
| 24V / 250V | PI3L02 |



| Type | Ref. |
|------------|--------|
| 24V / 250V | PI3202 |



| Type | Ref. |
|------------|--------|
| 24V / 250V | PI3302 |



| Type | Ref. |
|------------|--------|
| 24V / 250V | PI3402 |





Piano

18 Matt black RAL9011



| Type | Ref. |
|------------|--------|
| 24V / 250V | Pi3I18 |



| Type | Ref. |
|------------|--------|
| 24V / 250V | Pi3J18 |



| Type | Ref. |
|------------|--------|
| 24V / 250V | Pi3K18 |



| Type | Ref. |
|------------|--------|
| 24V / 250V | Pi3L18 |



| Type | Ref. |
|------------|--------|
| 24V / 250V | Pi3218 |



| Type | Ref. |
|------------|--------|
| 24V / 250V | Pi3318 |



| Type | Ref. |
|------------|--------|
| 24V / 250V | Pi3418 |




| Type | Ref. |
|------|--------|
| 24V | Pi0T18 |

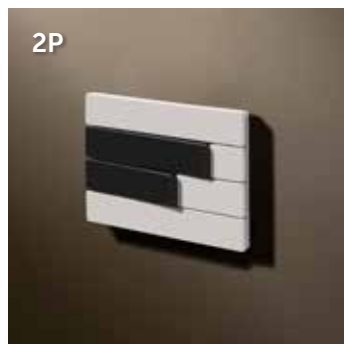



Piano

Immix RAL9010 / RAL9011




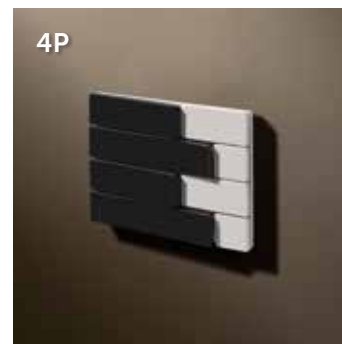
|  Type | Ref. |
|--|--------|
| 24V / 250V | Pi3I28 |



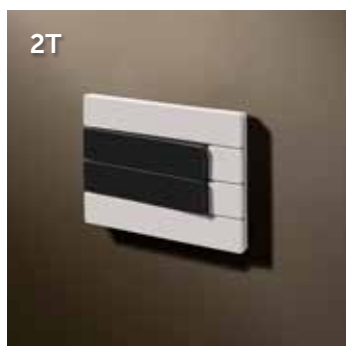
|  Type | Ref. |
|--|--------|
| 24V / 250V | Pi3J28 |




|  Type | Ref. |
|--|--------|
| 24V / 250V | Pi3K28 |




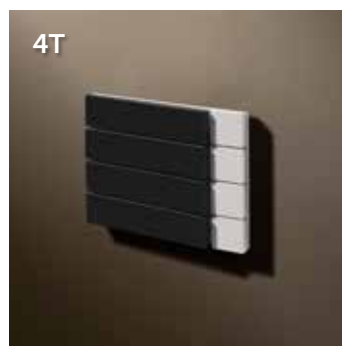
|  Type | Ref. |
|--|--------|
| 24V / 250V | Pi3L28 |




|  Type | Ref. |
|--|--------|
| 24V / 250V | Pi3228 |



|  Type | Ref. |
|--|--------|
| 24V / 250V | Pi3328 |



|  Type | Ref. |
|--|--------|
| 24V / 250V | Pi3428 |




|  Type | Ref. |
|--|--------|
| 24V / 250V | Pi3I82 |


Piano

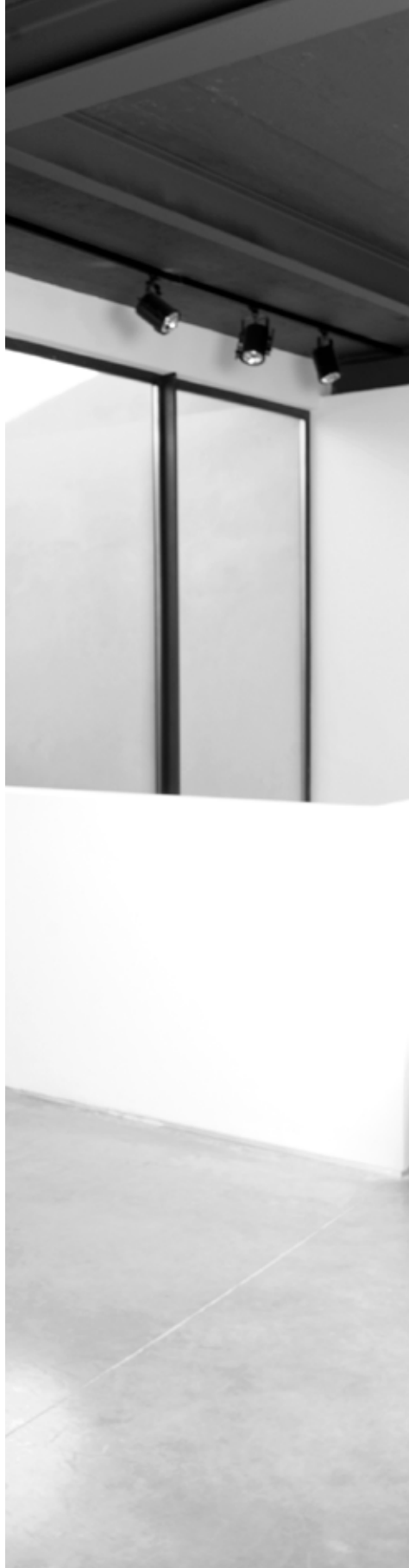
Void



|  Frame | Ref. |
|---|--------|
| A (Bticino) | Pi0A02 |
| B (Legrand/Hager/Peha) | Pi0B02 |



|  Frame | Ref. |
|---|--------|
| A (Bticino) | Pi0A18 |
| B (Legrand/Hager/Peha) | Pi0B18 |



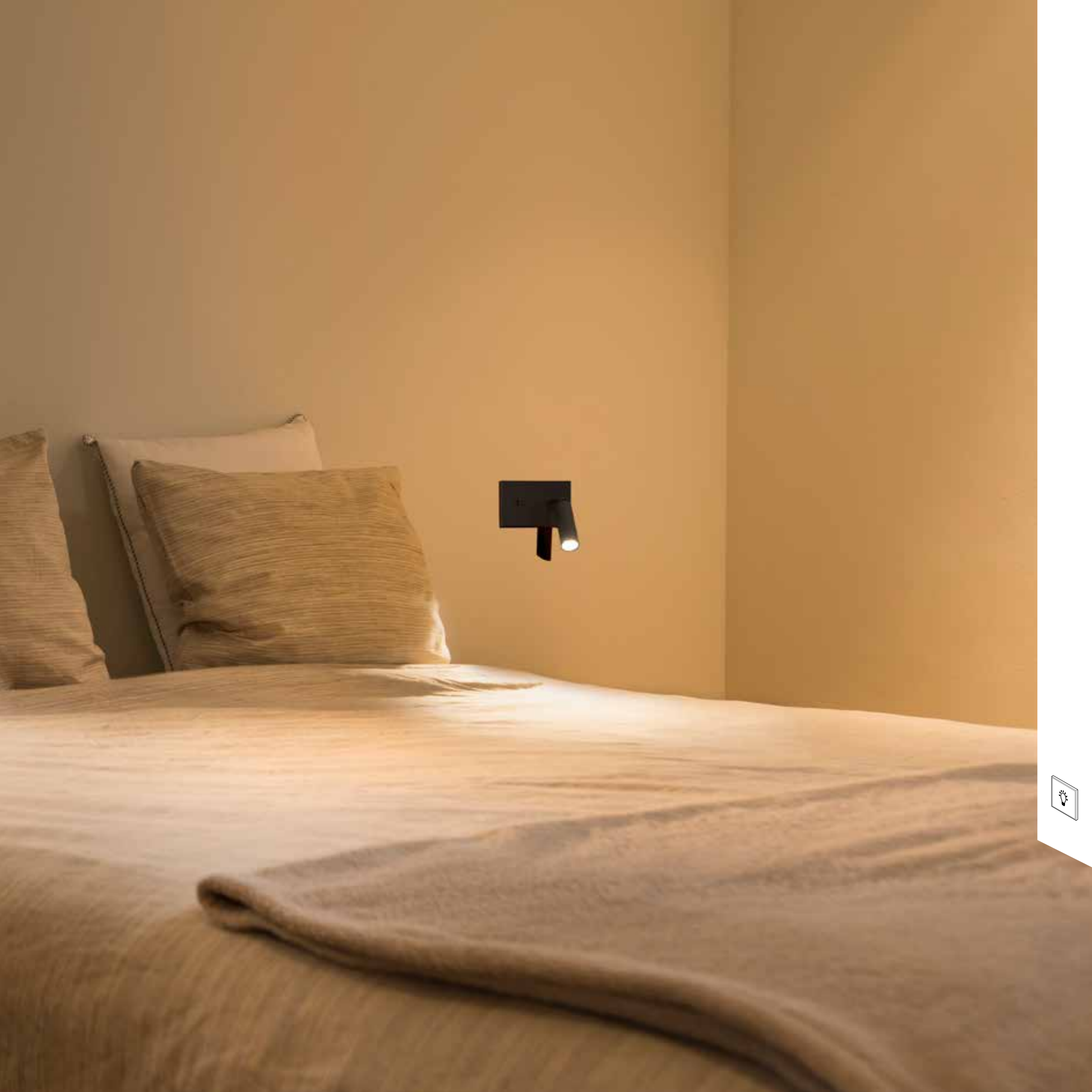
Lithoss 10. Luminaires

Design by Lithoss & TAL Laboratories



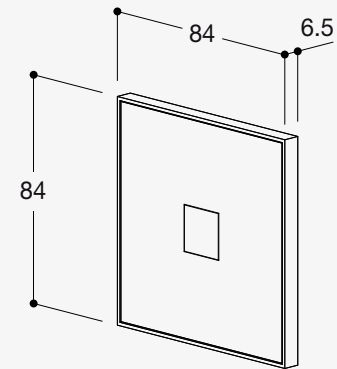
The LUMINAIRES collection provides the finishing touch to any turnkey project, both in residential and hospitality. The Lithoss design is perfect for functional as well as creative solutions.

The Lithoss push button & reading light combination – the collection's bestseller – is a nice example of the perfect synergy between the sister companies Lithoss and TAL. This luminaire can be easily combined on a 2-fold, 3-fold or even 4-fold front plate. The Gatekeeper and Nightguide are design solutions for orientation lighting in stairwells, hotel rooms etc.

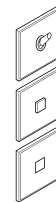


Luminaires

02 Gatekeeper - Matt White

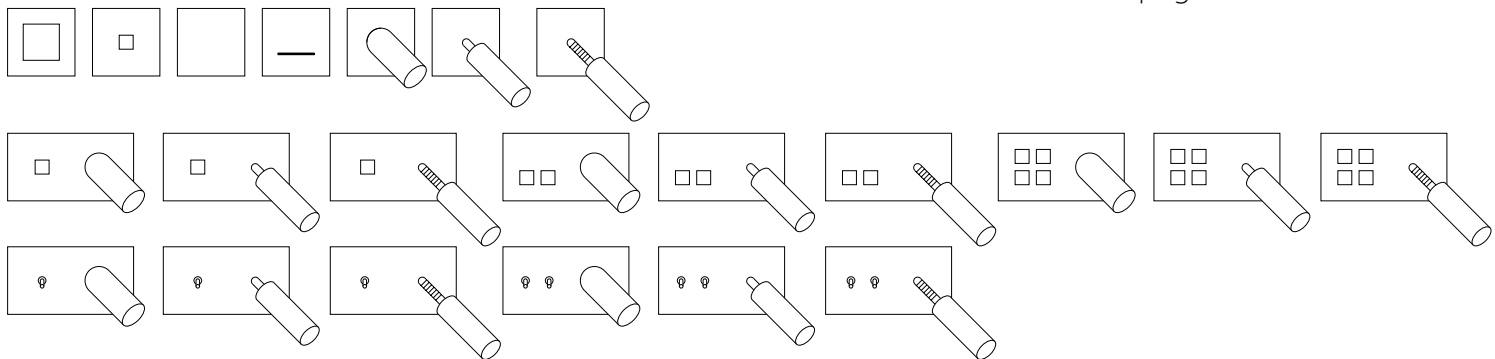


| Type | Ref. |
|------|--------|
| 250V | Lu0Gxx |



Combine

Ever thought about combining? Luminaires works great with Cockpit, Select & Squares. For combinations and personalisation on demand, check page 222.

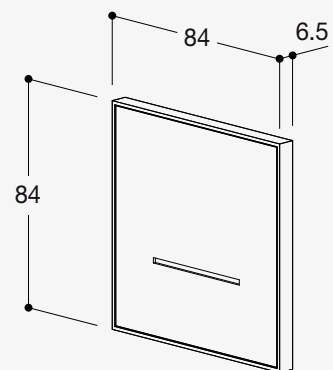




Luminaires

Nightguide

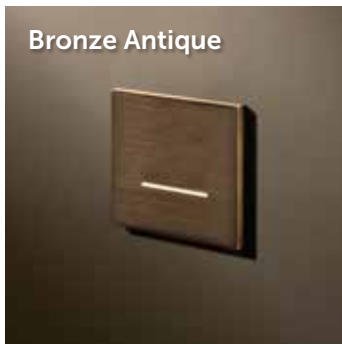
29 Copper



| Type | Ref. |
|-----------|--------|
| 250V (1W) | Lu00xx |

Color temperature: 2700K

Bronze Antique



| Type | Ref. |
|------|--------|
| 250V | Lu0017 |

Stainless Steel



| Type | Ref. |
|------|--------|
| 250V | Lu0001 |

Tin Antique



| Type | Ref. |
|------|--------|
| 250V | Lu0019 |

Gunpowder Black



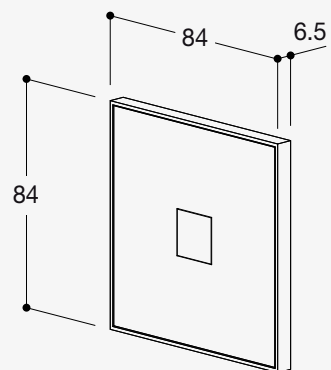
| Type | Ref. |
|------|--------|
| 250V | Lu0003 |



Luminaires

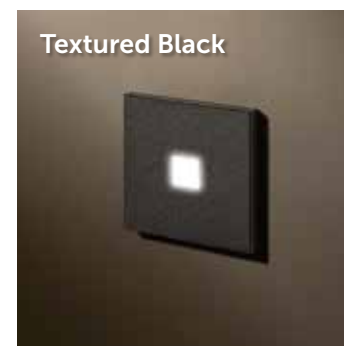
Gatekeeper

18 Matt Black



| Type | Ref. |
|-----------|--------|
| 250V (1W) | Lu0Gxx |

Color temperature: 2700K



| Type | Ref. |
|------|--------|
| 250V | Lu0G08 |

| Type | Ref. |
|------|--------|
| 250V | Lu0G20 |

| Type | Ref. |
|------|--------|
| 250V | Lu0G02 |

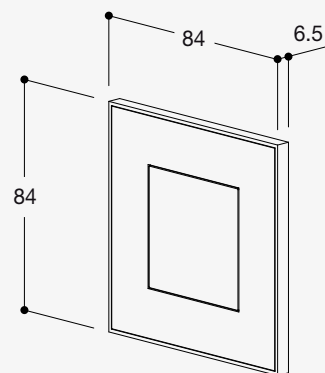
| Type | Ref. |
|------|--------|
| 250V | Lu0G14 |



Luminaires

Q Light

02 Matt White



| Type | Ref. |
|-----------|--------|
| 250V (1W) | Lu0Sxx |

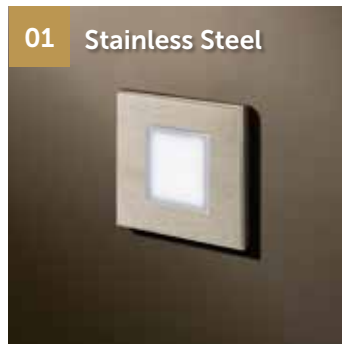
Color temperature: 3000K

09 Nickel



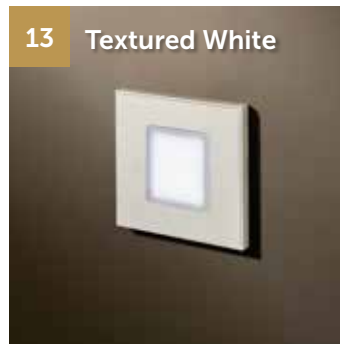
| Type | Ref. |
|------|--------|
| 250V | Lu0S09 |

01 Stainless Steel



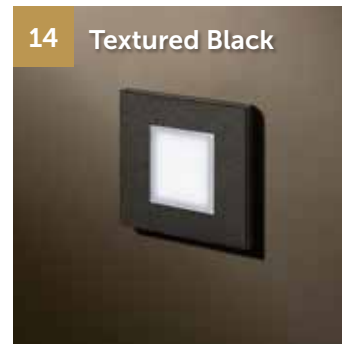
| Type | Ref. |
|------|--------|
| 250V | Lu0S01 |

13 Textured White



| Type | Ref. |
|------|--------|
| 250V | Lu0S13 |

14 Textured Black



| Type | Ref. |
|------|--------|
| 250V | Lu0S14 |



Luminaires

XT



| Finish | Ref. |
|------------------------|--------|
| Stainless steel | Lu7T01 |
| Matt white RAL9010 | Lu7T02 |
| Textured white RAL9010 | Lu7T13 |
| Textured black | Lu7T14 |

| Finish | Ref. |
|------------------------|--------|
| Stainless steel | LuET01 |
| Matt white RAL9010 | LuET02 |
| Textured white RAL9010 | LuET13 |
| Textured black | LuET14 |



| Finish | Ref. |
|------------------------|--------|
| Stainless steel | LuFT01 |
| Matt white RAL9010 | LuFT02 |
| Textured white RAL9010 | LuFT13 |
| Textured black | LuFT14 |

| Finish | Ref. |
|------------------------|--------|
| Stainless steel | Lu8T01 |
| Matt white RAL9010 | Lu8T02 |
| Textured white RAL9010 | Lu8T13 |
| Textured black | Lu8T14 |



Luminaires

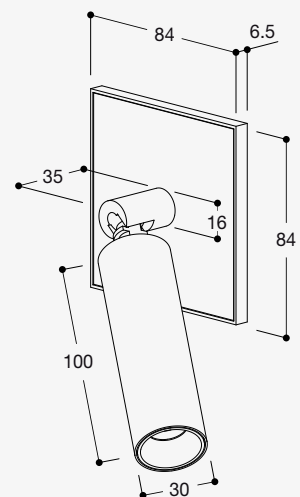
Nobel

13 Textured White



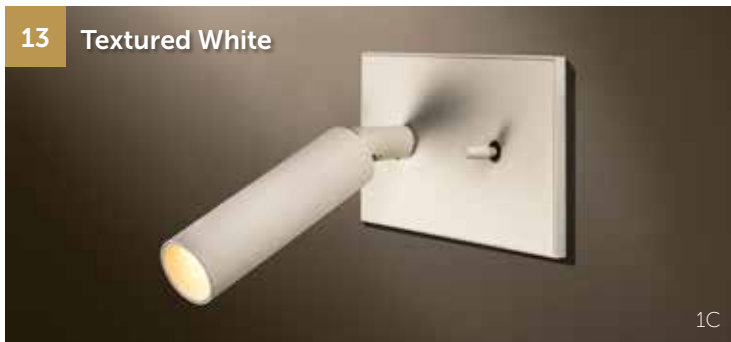
Available in

- ⊙ 24V / 250V
- ⊙ 24V + feedback led white
- ⊙ 24V + feedback led amber
- Ⓚ KNX sensor
- ⚡ 2 Way (250V - 10A)
- ⊙ Push Button (250V - 10A)
- ⚡ 2 Way + Neon (250V - 10A)
- ⊙ Push Button + Neon (250V - 10A)



Lamp specifications: 4W led / 2700K / 400 lumen

13 Textured White



1C

| Type | Ref. |
|------------|----------|
| 250V 1-way | Co110N13 |

14 Textured Black


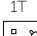







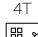

1C







| Type | Ref. |
|------------|----------|
| 250V 1-way | Co110N14 |

— Available in Stainless Steel [01], Textured White [13], Textured Black [14], Cu29 [29] & Cu29 + Textured Black [34].



| | Technology | Select | Squares |
|--|---|----------|----------|
|  Solo | | Lu0Nxx | Lu0Nxx |
|  1T | ⊙ 24V-250V push button | Ni310Nxx | Sq310Nxx |
| | ⊙ 24V + led white | Ni710Nxx | Sq710Nxx |
| | ⊙ 24V + led amber | Ni810Nxx | Sq810Nxx |
| |  KNX (led & temp sensor) | NiK10Nxx | SqK10Nxx |
|  2T left | ⊙ 24V-250V push button | Ni320Nxx | Sq320Nxx |
| | ⊙ 24V + led white | Ni720Nxx | Sq720Nxx |
| | ⊙ 24V + led amber | Ni820Nxx | Sq820Nxx |
| |  KNX (led & temp sensor) | NiK20Nxx | SqK20Nxx |
|  2T right | ⊙ 24V-250V push button | Ni0N32xx | Sq0N32xx |
| | ⊙ 24V + led white | Ni0N72xx | Sq0N72xx |
| | ⊙ 24V + led amber | Ni0N82xx | Sq0N82xx |
| |  KNX (led & temp sensor) | Ni0NK2xx | Sq0NK2xx |

| | Technology | Select | Squares |
|--|---|----------|----------|
|  4T | ⊙ 24V-250V push button | Ni340Nxx | Sq340Nxx |
| | ⊙ 24V + led white | Ni740Nxx | Sq740Nxx |
| | ⊙ 24V + led amber | Ni840Nxx | Sq840Nxx |
| |  KNX (led & temp sensor) | NiK40Nxx | SqK40Nxx |

| | Technology | Cockpit |
|--|---|----------|
|  1C |  250V 2-way | Co110Nxx |
| |  250V 2-way + neon | Co410Nxx |
|  2C |  250V 2-way | Co120Nxx |
| |  250V 2-way + neon | Co420Nxx |

— Available in Select, Squares & Cockpit configuration.

xx Add the color code at the end for any finish you desire.

Luminaires

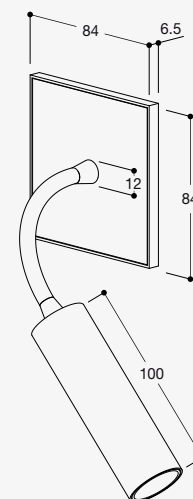
Flex

01 Stainless Steel



Available in

- ⊙ 24V / 250V
- ⊙ 24V + feedback led white
- ⊙ 24V + feedback led amber
- 🔌 KNX sensor
- 🔌 2 Way (250V - 10A)
- ⊙ Push Button (250V - 10A)
- 🔌 2 Way + Neon (250V - 10A)
- ⊙ Push Button + Neon (250V - 10A)



Lamp specifications: 4W led / 2700K / 400 lumen

29 Copper



| Type | Ref. |
|-------------------------|----------|
| 24V / 250V | Ni310Fxx |
| 24V + led white | Ni710Fxx |
| 24V + led amber | Ni810Fxx |
| KNX (led & temp sensor) | NiK10Fxx |
| 250V 2-way | Co110Fxx |
| 250V 2-way + neon | Co410Fxx |

Technology

Ref.

| | | |
|---------|---------------------------|----------|
| 🔌 Solo | | Lu0Fxx |
| | ⊙ 24V-250V push button | Ni310Fxx |
| | ⊙ 24V + led white | Ni710Fxx |
| | ⊙ 24V + led amber | Ni810Fxx |
| 1T | 🔌 KNX (led & temp sensor) | NiK10Fxx |
| | ⊙ 24V-250V push button | Ni320Fxx |
| | ⊙ 24V + led white | Ni720Fxx |
| | ⊙ 24V + led amber | Ni820Fxx |
| 2T left | 🔌 KNX (led & temp sensor) | NiK20Fxx |
| | ⊙ 24V-250V push button | Ni340Fxx |
| | ⊙ 24V + led white | Ni740Fxx |
| | ⊙ 24V + led amber | Ni840Fxx |
| 4T | 🔌 KNX (led & temp sensor) | NiK40Fxx |
| | 🔌 250V 2-way | Co110Fxx |
| 1C | 🔌 250V 2-way + neon | Co410Fxx |
| | 🔌 250V 2-way | Co120Fxx |
| 2C | 🔌 250V 2-way + neon | Co420Fxx |

xx Add the color code at the end for any finish you desire.



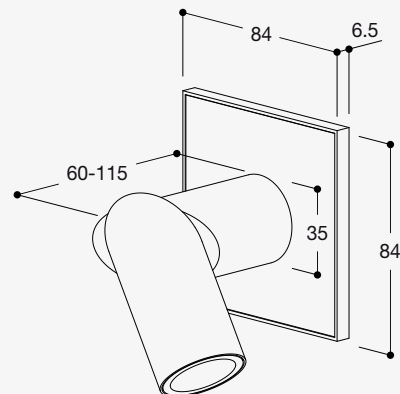
— Available in Stainless Steel [01], Textured White [13], Textured Black [14], Copper [29] & Copper + Textured Black [34].



Luminaires

Microscoop

29 Copper



Available in

| | |
|----------------------------|-----------------------------------|
| ⊙ 24V / 250V | ⚡ 2 Way (250V - 10A) |
| ⊙ 24V + feedback led white | ⊙ Push Button (250V - 10A) |
| ⊙ 24V + feedback led amber | ⚡ 2 Way + Neon (250V - 10A) |
| Ⓚ KNX sensor | ⊙ Push Button + Neon (250V - 10A) |

Lamp specifications: 4W led / 2700K / 400 lumen

13 Textured White



1T

01 Stainless Steel


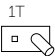









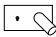


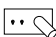


1T

| Type | Ref. |
|-------------------------|----------|
| 24V / 250V | Ni310M13 |
| 24V + led white | Ni710M13 |
| 24V + led amber | Ni810M13 |
| KNX (led & temp sensor) | NiK10M13 |

| Type | Ref. |
|-------------------------|----------|
| 24V / 250V | Ni310M01 |
| 24V + led white | Ni710M01 |
| 24V + led amber | Ni810M01 |
| KNX (led & temp sensor) | NiK10M01 |



| | Technology | Ref. |
|--|---|----------|
|  Solo | | Lu0Mxx |
|  1T | ⊙ 24V-250V push button | Ni310Mxx |
| | ⊙ 24V + led white | Ni710Mxx |
| | ⊙ 24V + led amber | Ni810Mxx |
| |  KNX (led & temp sensor) | NiK10Mxx |
|  2T left | ⊙ 24V-250V push button | Ni320Mxx |
| | ⊙ 24V + led white | Ni720Mxx |
| | ⊙ 24V + led amber | Ni820Mxx |
| |  KNX (led & temp sensor) | NiK20Mxx |
|  2T right | ⊙ 24V-250V push button | Ni0M32xx |
| | ⊙ 24V + led white | Ni0M72xx |
| | ⊙ 24V + led amber | Ni0M82xx |
| |  KNX (led & temp sensor) | Ni0MK2xx |

| | Technology | Ref. |
|--|---|----------|
|  4T | ⊙ 24V-250V push button | Ni340Mxx |
| | ⊙ 24V + led white | Ni740Mxx |
| | ⊙ 24V + led amber | Ni840Mxx |
| |  KNX (led & temp sensor) | NiK40Mxx |
|  1C |  250V 2-way | Co110Mxx |
| |  250V 2-way + neon | Co410Mxx |
|  2C |  250V 2-way | Co120Mxx |
| |  250V 2-way + neon | Co420Mxx |

xx Add the color code at the end for any finish you desire.

— Available in Stainless Steel [01], Textured White [13], Textured Black [14], Copper [29] & Copper + Textured Black [34].

Lithoss

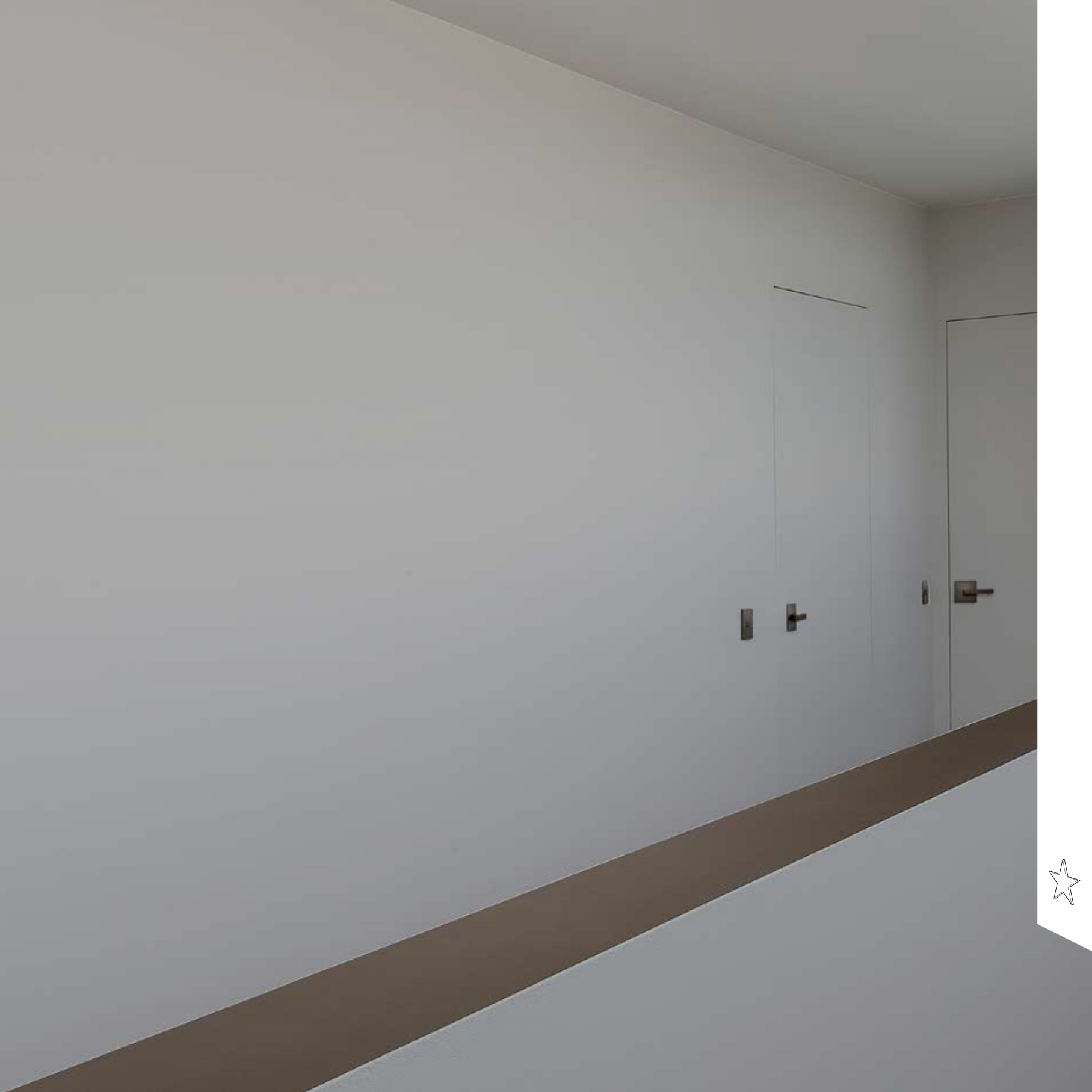
11. Supernova

Design by Lithoss & Quincalux

SUPERNOVA is a series whereby Lithoss takes the switch part a step further.

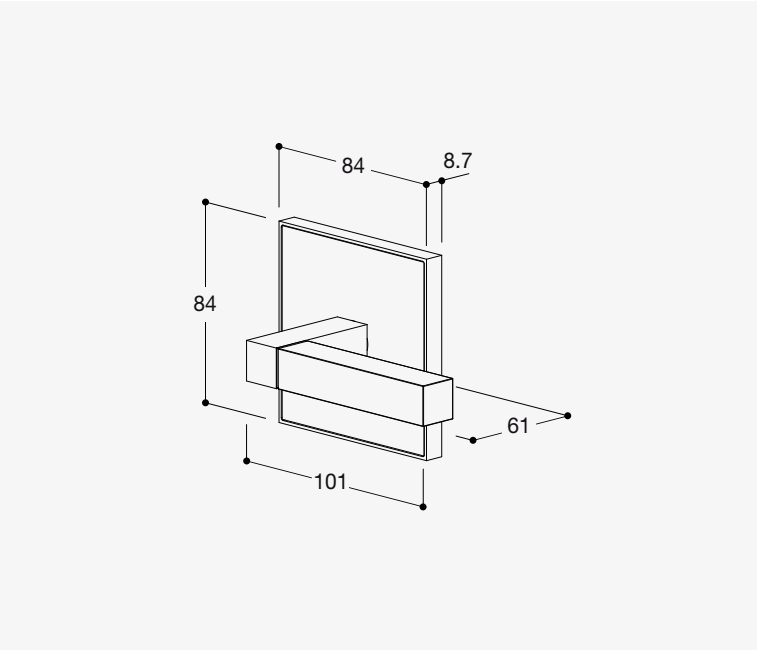
SUPERNOVA meets all of the current needs regarding technology, design and lifestyle. This new series perfectly reflects the typical Lithoss DNA and is the result of Lithoss's consistent design philosophy.





Supernova

20

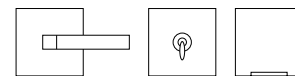


Special features

Finish your project with a Supernova.



Positioning the switch at the same height of the doorhandle creates a perfect match.



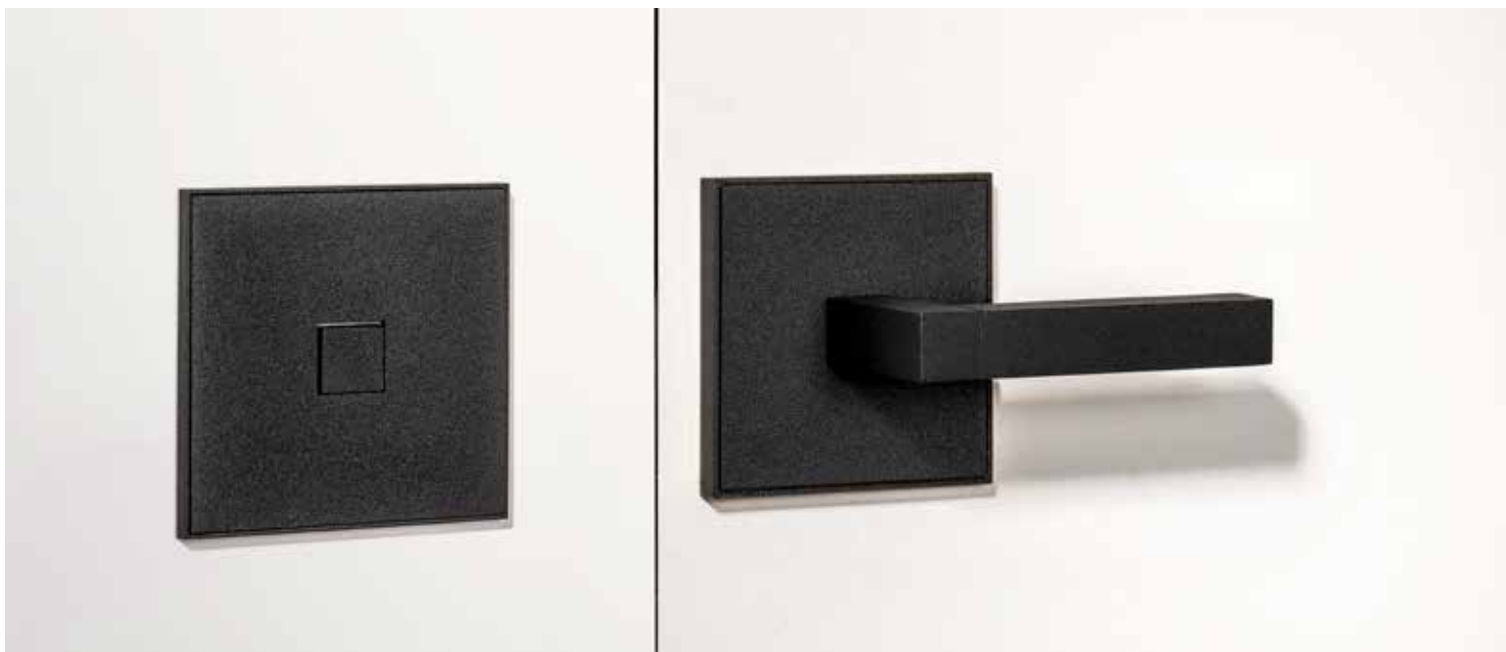


Supernova

Doorhandle

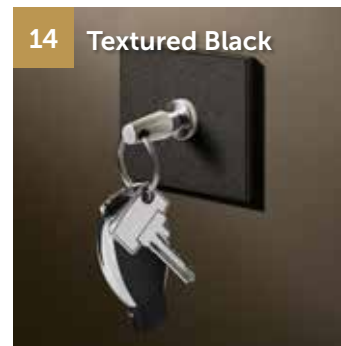
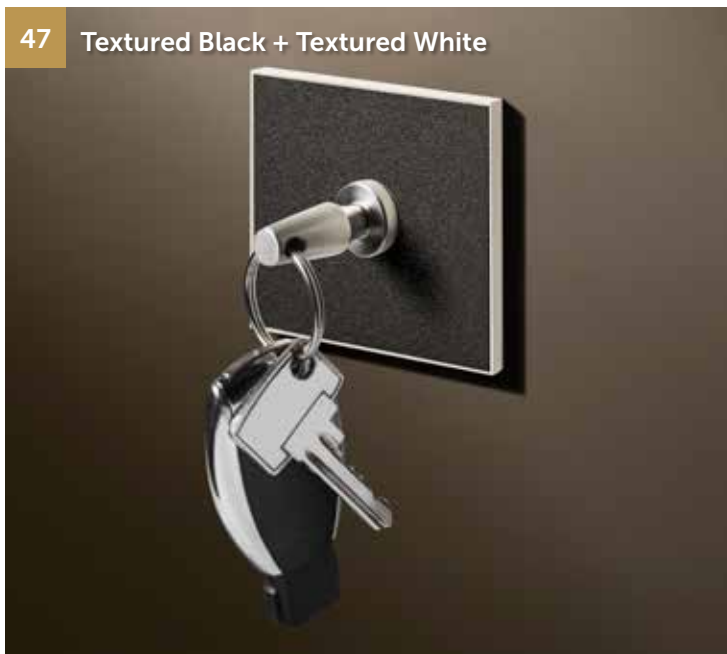


| Tin Antique | Brass Antique | Bronze Antique | Nickel | Textured Black |
|-------------|---------------|----------------|--------|----------------|
| Sn0H19 | Sn0H20 | Sn0H17 | Sn0H09 | Sn0H14 |



Supernova

Keychain



| Type | Ref. |
|------------------------|--------|
| Textured White | Sn0T13 |
| Textured Black | Sn0T14 |
| Textured White + Black | Sn0T47 |

___ Set = 1 magnet device + 2 keychains.



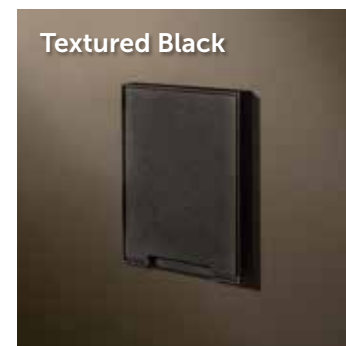


Supernova

Vacuum Socket



| Type | Ref. |
|---------------|--------|
| Vacuum socket | Sn0V13 |



| Type | Ref. |
|---------------|--------|
| Vacuum socket | Sn0V14 |



Compatibility

100% compatible with all Elek-Trends (etp) systems. Compatible with all central vacuum systems with diameter 40 mm tubes.



Lithoss

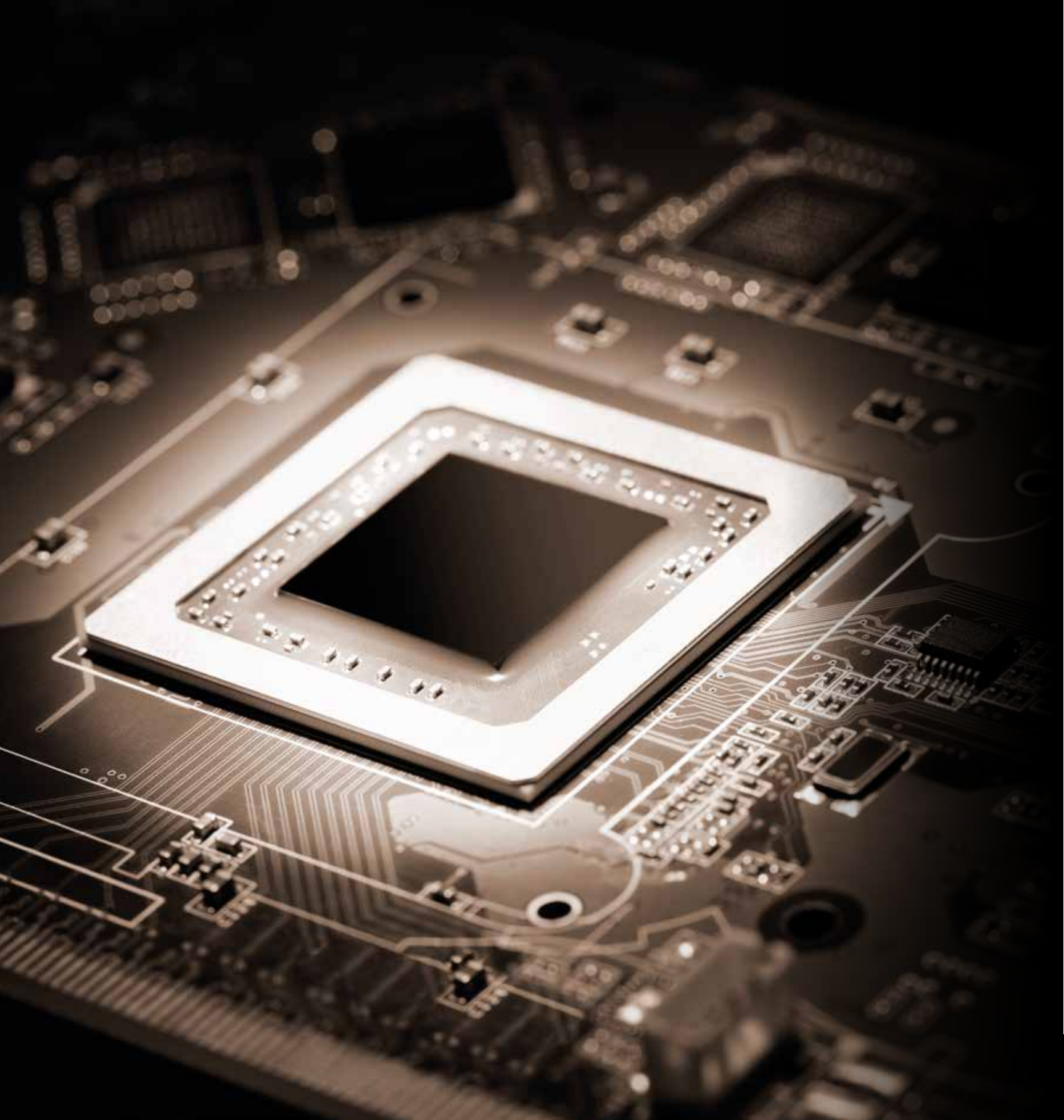
Technology

1. Conventional systems

| | |
|--------------------------|-----|
| 1.1 Teleruptor | 172 |
| 1.2 RGB controller | 174 |
| 1.3 Dimmer | 176 |
| 1.4 Toggle switch | 178 |
| 1.5 Push button | 182 |

2. Home automation systems

| | |
|----------------------------------|-----|
| 2.1 KNX sensor | 184 |
| 2.2 KNX thermostat | 186 |
| 2.3 Luxom | 188 |
| 2.4 Free@home | 190 |
| 2.4 Domintell | 191 |
| 2.6 Crestron | 192 |
| 2.7 Qbus | 193 |
| 2.8 IPbuilding | 194 |
| 2.9 Teletask | 195 |
| 2.10 Other compatible systems .. | 196 |

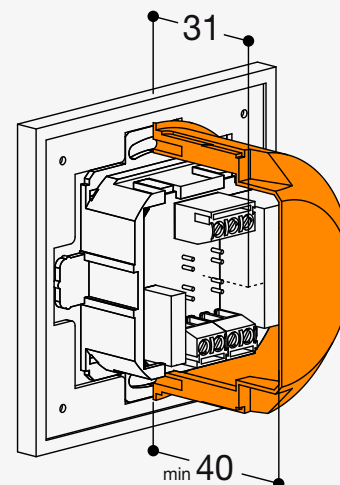


1. Conventional systems

1.1 Teleruptor



01 Stainless Steel

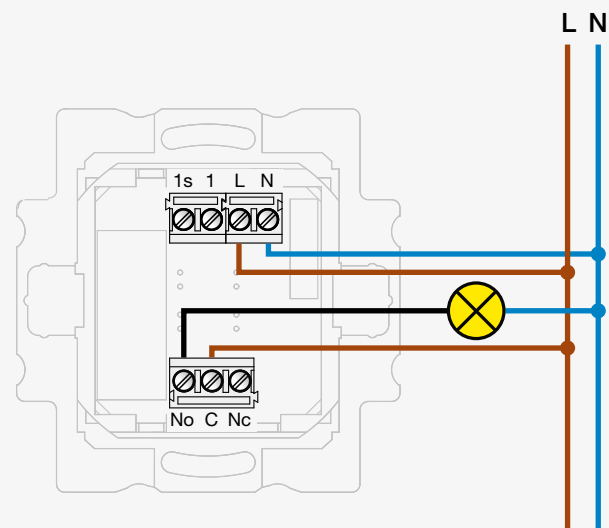


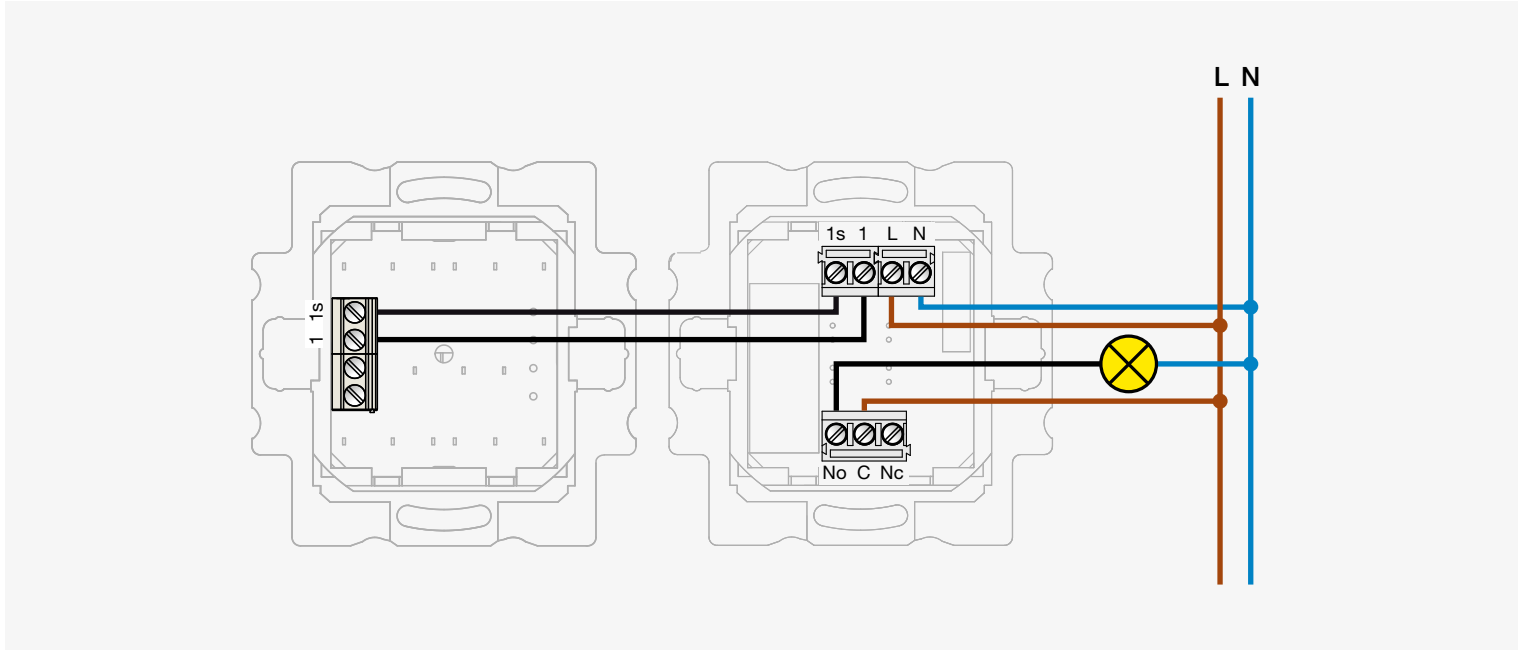
Features

- Integrated teleruptor module
- Expandable with external push buttons
- Limited built-in depth
- Available on 1T Select, Select Flush, Squares & Squares Flush

Technical specifications

Switching capacity 250V / 16A.





| | Product family | Ref. |
|---|----------------|--------|
| □ | Select | NiA1xx |
| | Squares | SqA1xx |
| □ | Select Flush | NFA1xx |
| | Squares Flush | SFA1xx |

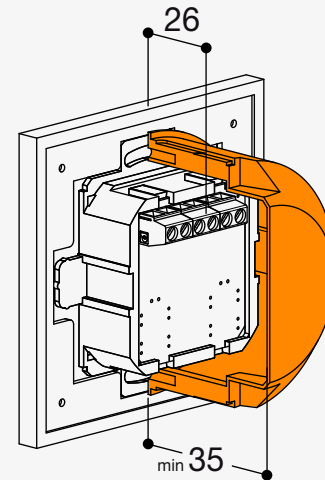
xx Add the color code at the end for any finish you desire.



1. Conventional systems

1.2 RGB controller

01 Stainless Steel

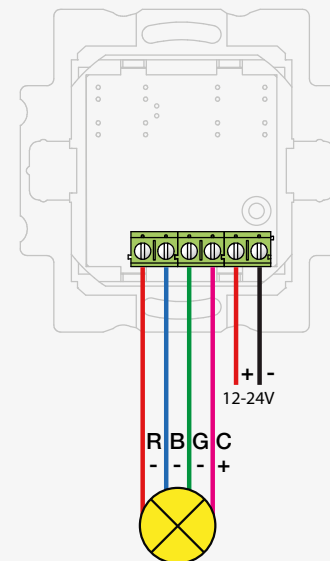


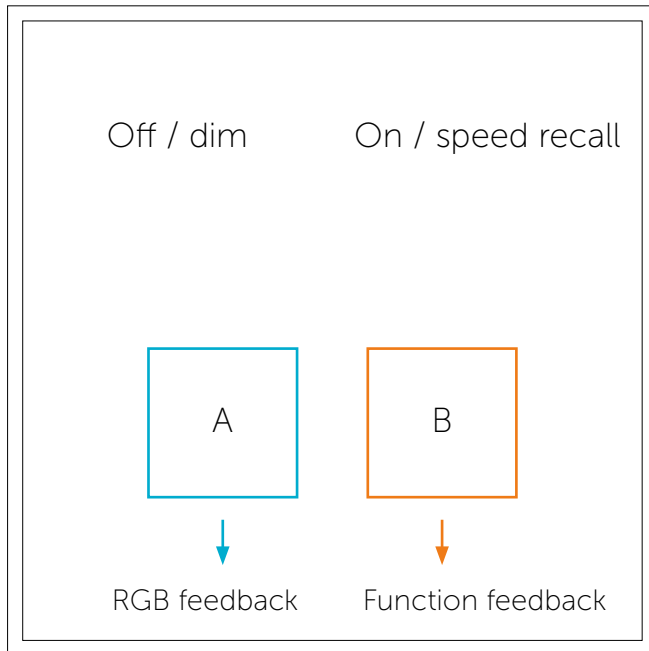
Features

- Integrated RGB controller
- Ideal to control led-strips (12V or 24V DC)
- 3 channel dimmer
- RGB color change sequencer

Technical specifications

| | | |
|-----|------------------------|--------------------|
| 12V | Input 12V = Output 12V | max. 50W / Channel |
| 24V | Input 24V = Output 24V | max. 50W / Channel |





Functions buttons A & B

When switching supply power "ON", luminaires flashes 1x WHITE.
Push A or B 1x => white fixed color (color sequence speed = 0).

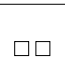

To enter color sequence FAST speed => push B 1x.
To enter color sequence MEDIUM speed => push B 2x (short).

To fix color (speed = 0) => push B 1x.

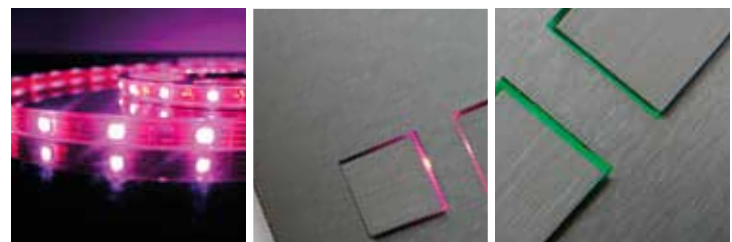
You can TOUCHDIM downwards (re-push for dimming upwards) holding A.

Switch off luminaires by pressing A 1x.

Recall latest color by pressing B 1x.

| | Product family | Ref. |
|---|----------------|--------|
|  | Select | NI12xx |
| | Squares | Sq12xx |
|  | Select Flush | NFI2xx |
| | Squares Flush | SFI2xx |

xx Add the color code at the end for any finish you desire.



Remarks

Distance between RGB led luminaires and driver = max. 5m.

Avoid installations of RGB driver near electronic geared fluorescent installations.

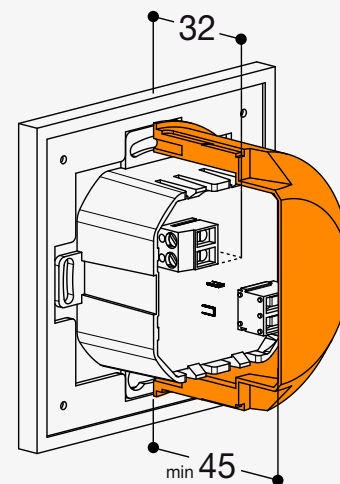
___ Please respect max. cable lengths to avoid light level differences due to voltage drops.



1. Conventional systems

1.3 Dimmer

03 Gunpowder Black (Fusain)




Features

Universal 1-10V dim controller

Switching capacity 2A

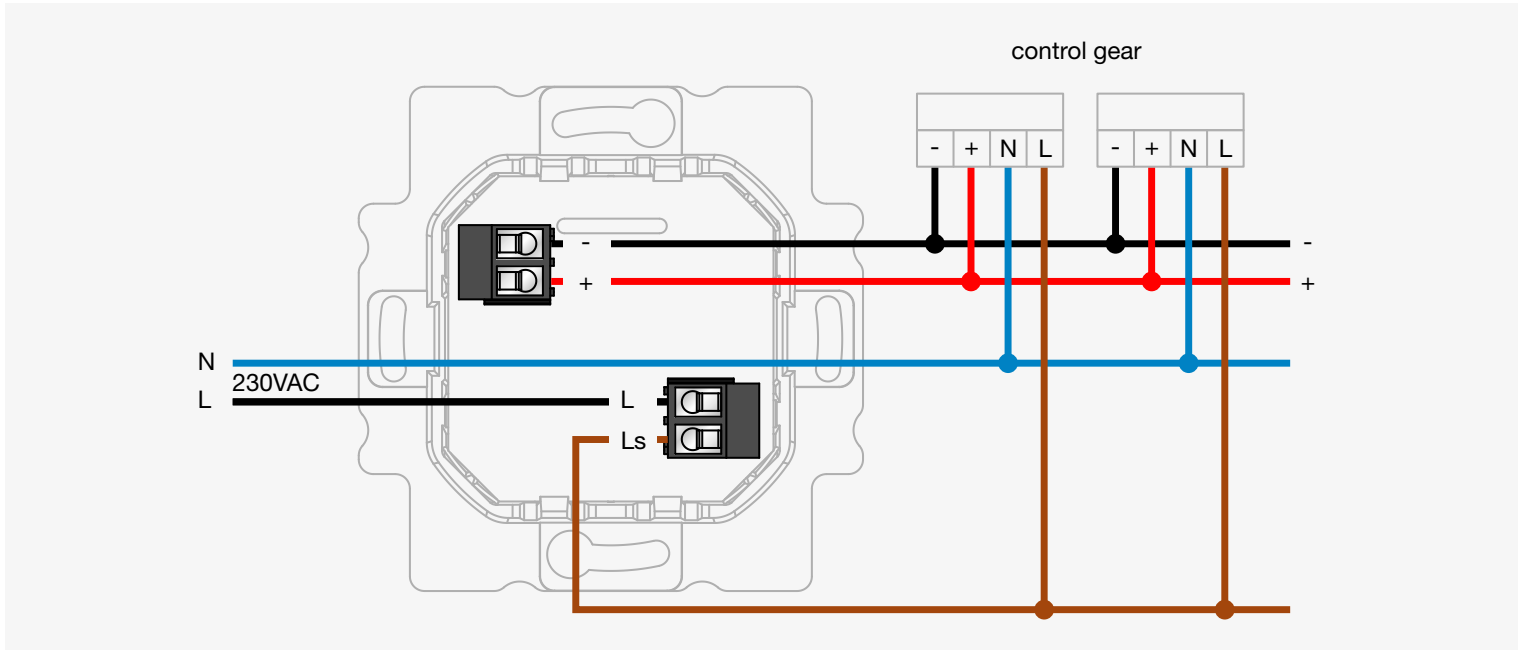
Ergonomic button

— Natural feeling

| | Type | Ref. |
|--|-------|----------|
|  | 1-10V | Dm0Dxx |
|  | 1-10V | Dm0D0Dxx |

xx Add the color code at the end for any finish you desire.

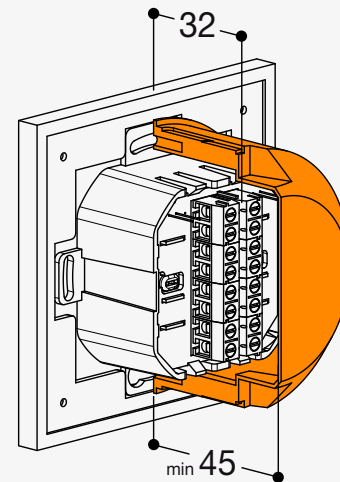
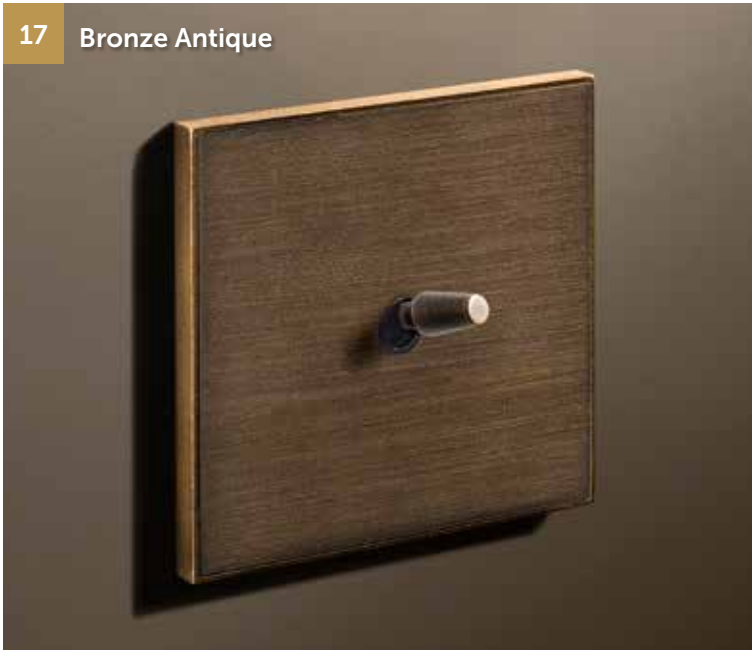




1. Conventional systems

1.4 Toggle switch

17 Bronze Antique



Features

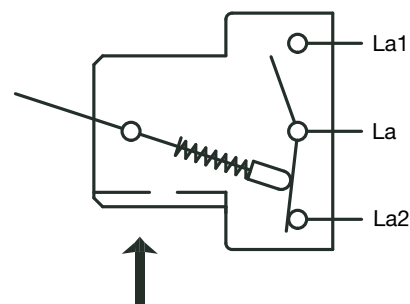
250V - 10A switching capacity

Toggle switch

1 or 2 switches per module

3 possibilities: 2-way, push button & shutter switch

___ Neon feedback light



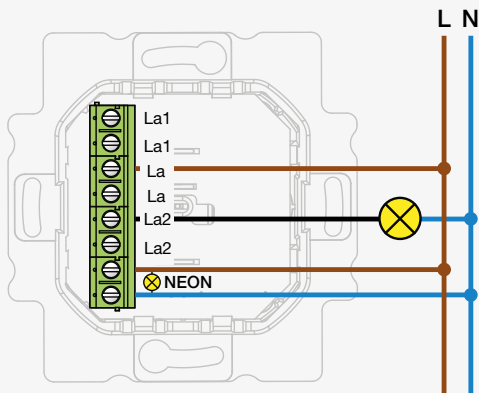
Remark

La1: contact on = toggle down

La2: contact on = toggle up

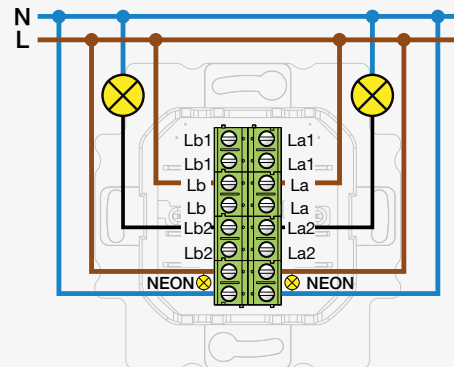


 **2-way ON | - | ON**



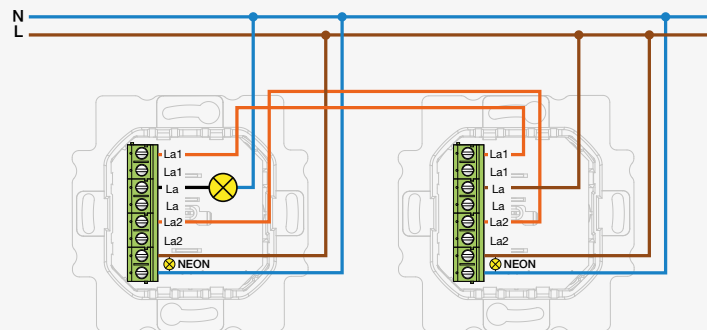
1C









 **2-way ON | - | ON**



2C

Example: staircase wiring, control 1 lamp from 2 places



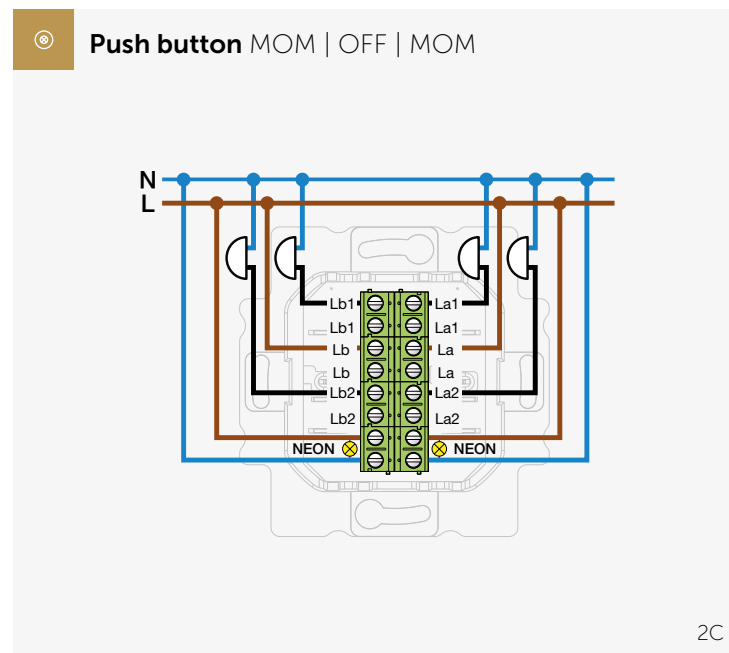
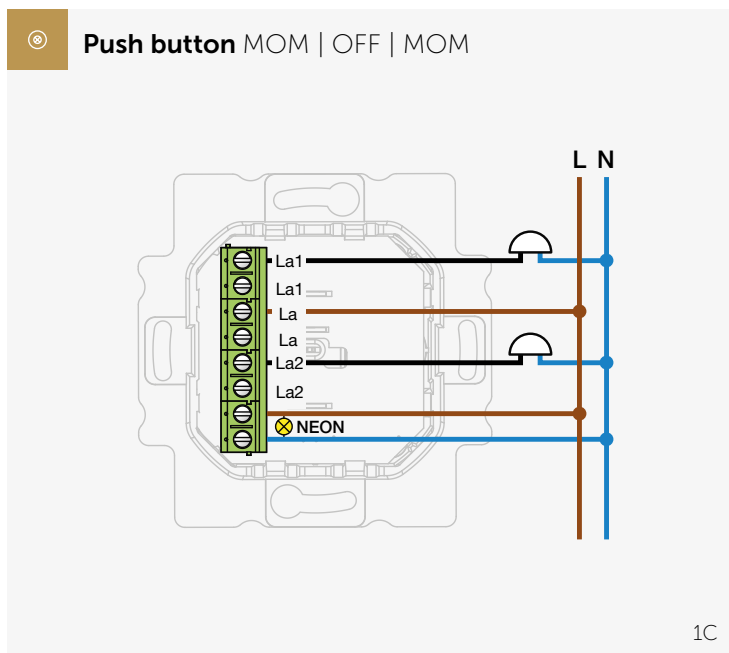
| | Technology | Ref. |
|-----|---|----------|
| 1C |  250V 2-way | Co11xx |
| |  250V 2-way + neon | Co41xx |
| 2C |  250V 2-way | Co12xx |
| |  250V 2-way + neon | Co42xx |
| 11C |  250V 2-way | Co1111xx |
| |  250V 2-way + neon | Co4141xx |
| 21C |  250V 2-way | Co1211xx |
| |  250V 2-way + neon | Co4241xx |

xx Add the color code at the end for any finish you desire.



1. Conventional systems

1.4 Toggle switch

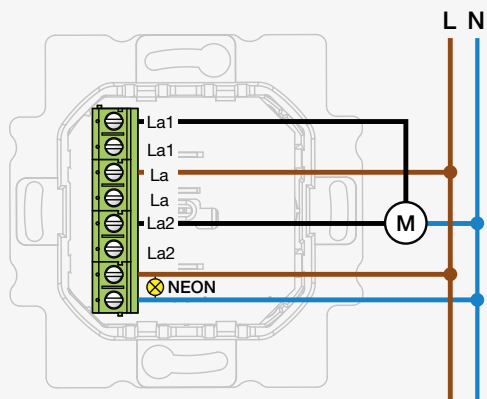


| | Technology | Ref. |
|-----|------------------------|----------|
| 1C | ⊙ 24V-250V push button | Co31xx |
| | ⊙ 24V-250V push + neon | Co61xx |
| 2C | ⊙ 24V-250V push button | Co32xx |
| | ⊙ 24V-250V push + neon | Co62xx |
| 11C | ⊙ 24V-250V push button | Co3131xx |
| | ⊙ 24V-250V push + neon | Co6161xx |
| 21C | ⊙ 24V-250V push button | Co3231xx |
| | ⊙ 24V-250V push + neon | Co6261xx |

xx Add the color code at the end for any finish you desire.

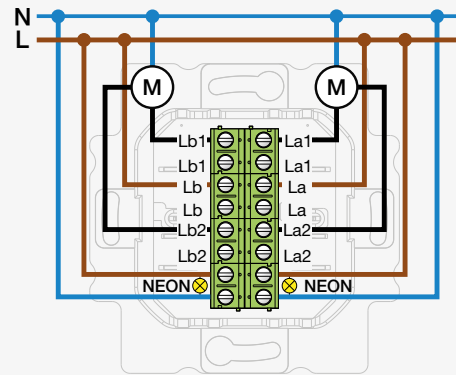


 Shutter switch ON | OFF | ON







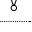
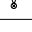


1C

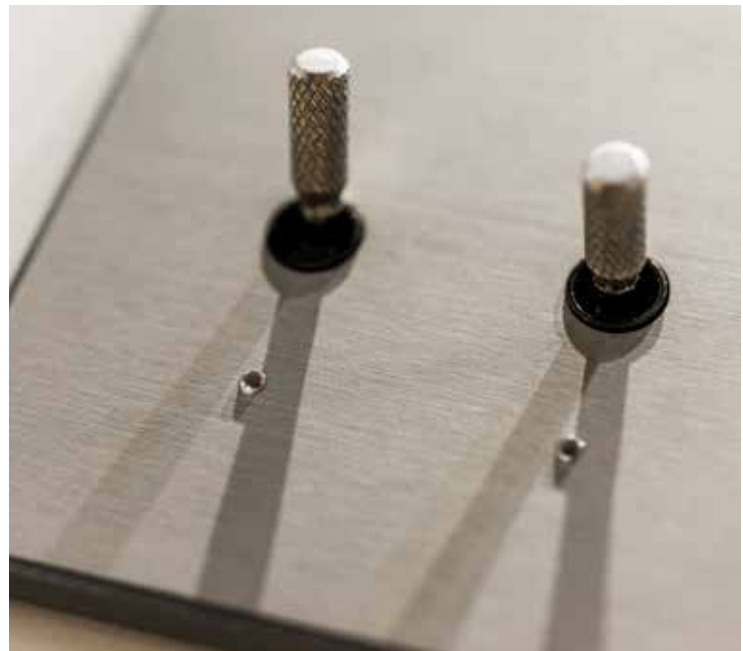
 Shutter switch ON | OFF | ON



2C

| | Technology | Ref. |
|-----|---|----------|
| 1C |  250V shutter | Co21xx |
| |  250V shutter + neon | Co51xx |
| 2C |  250V shutter | Co22xx |
| |  250V shutter + neon | Co52xx |
| 11C |  250V shutter | Co2121xx |
| |  250V shutter + neon | Co5151xx |
| 21C |  250V shutter | Co2221xx |
| |  250V shutter + neon | Co5251xx |

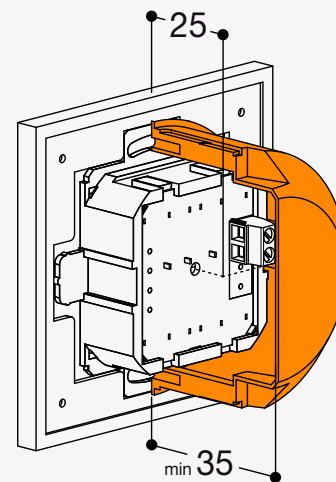
xx Add the color code at the end for any finish you desire.



1. Conventional systems

1.5 Push button

08 Chrome



Features

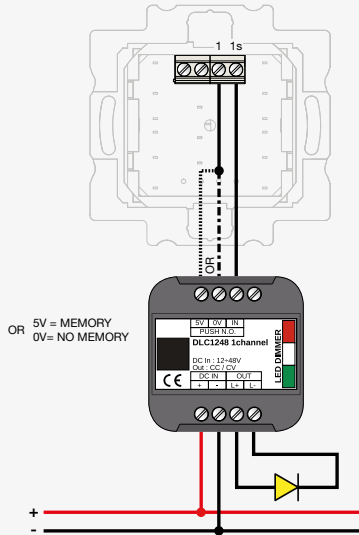
Available in 24V: Æsteem, Piano, Select, Cockpit, Squares, Illume, Britannica

— Available in 250V: Piano, Select, Cockpit, Squares & Britannica

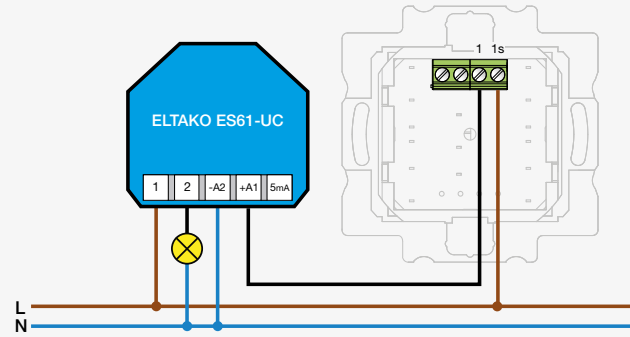




Installation with Dimmer



Installation with external Teleruptor module



| | Product family | Ref. |
|--|----------------|------------|
| | Select | Ni31xx |
| | Squares | Sq31xx |
| | Select | Ni32xx |
| | Squares | Sq32xx |
| | Select | Ni34xx |
| | Squares | Sq34xx |
| | Select | Ni3434xx |
| | Squares | Sq3434xx |
| | Select | Ni343434xx |
| | Squares | Sq343434xx |

| | Product family | Ref. |
|--|----------------|----------|
| | Select Flush | NF31xx |
| | Squares Flush | SF31xx |
| | Select Flush | NF32xx |
| | Squares Flush | SF32xx |
| | Select Flush | NF34xx |
| | Squares Flush | SF34xx |
| | Select Flush | NF3434xx |
| | Squares Flush | SF3434xx |

xx Add the color code at the end for any finish you desire.

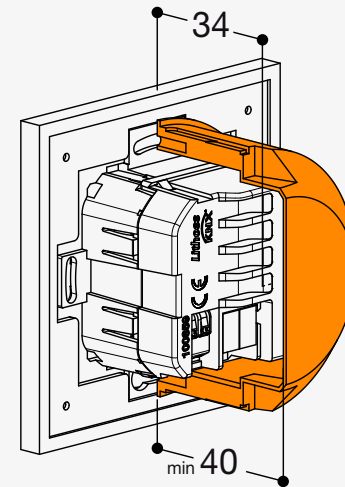


2. Home automation systems

2.1 KNX sensor



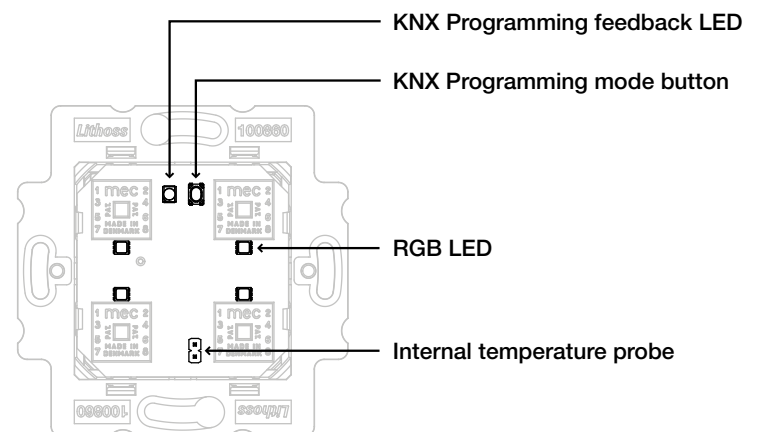
01 Stainless Steel



Power consumption: 4 mA

Features

- Fully integrated KNX sensor.
- Individual RGB led feedback.
- Integrated temperature sensor.
- 1 bit commands: on / off toggle with short / long press.
- 1 byte commands (0-255 / HVAC / value %).
- Orientation light led function.
- Connect external temperature sensor.
- Sequences with different group addresses.
- Scene management.
- Easy set-up (compatible with ETS4 & ETS5).
- Thermostat function.





Led feedback per button



Individual RGB led feedback



Orientation light with different brightness

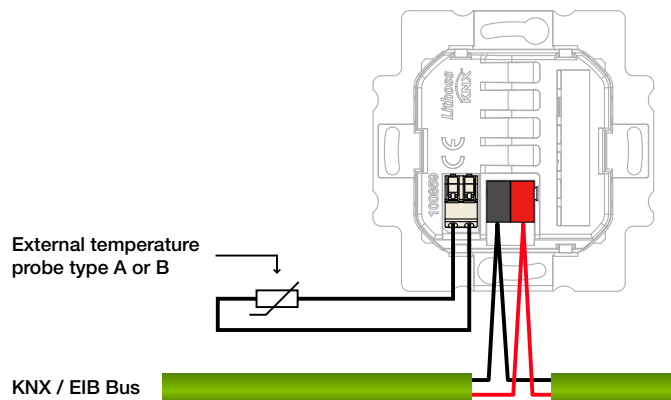


Orientation light with RGB

Optional temperature probes

Acc003 Type A (-20°C / +100°C)

Acc004 Type B (-50°C / +60°C)



| | Select | Select Flush | Squares | Squares Flush |
|--|------------|--------------|------------|---------------|
| | NiK1xx | NFK1xx | SqK1xx | SFK1xx |
| | NiK2xx | NFK2xx | SqK2xx | SFK2xx |
| | NiK4xx | NFK4xx | SqK4xx | SFK4xx |
| | NiK4K4xx | NFK4K4xx | SqK4K4xx | SFK4K4xx |
| | NiK4K4K4xx | - | SqK4K4K4xx | - |

xx Add the color code at the end for any finish you desire.

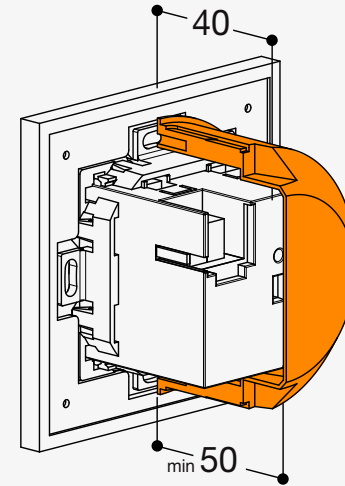


2. Home automation systems

2.2 KNX thermostat



14 Textured Black



Power consumption: 10 mA

Features

- RGB backlit touch display.
- Internal temperature sensor (0 to 40°C).
- External temperature sensor (-20 to 70°C).
- Temperature sensors can be managed by the thermostat.
- Setup different reference temperature.
- Management of different HVAC systems.
- Boost function.
- Humidity measurement.
- Different system protection functions.
- 16 scenarios.





Tip

Adjust the RGB background light with the
— orientation RGB led for the finishing touch.

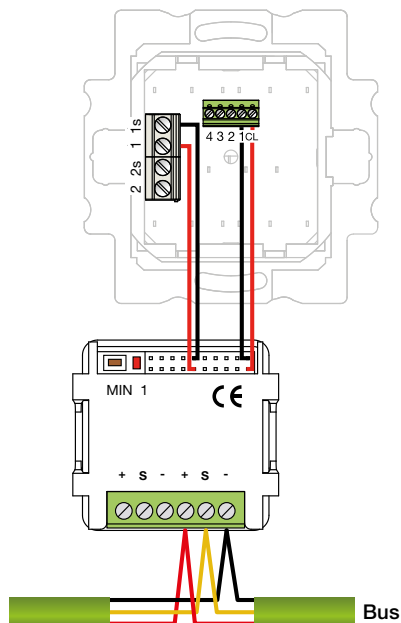
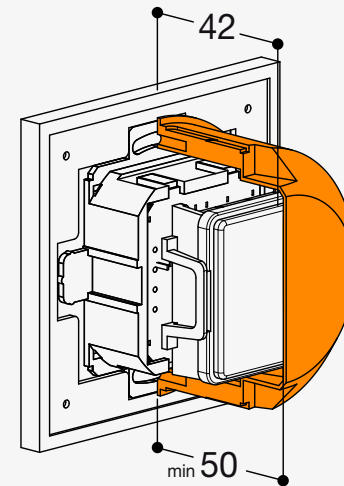


2. Home automation systems

2.3 Luxom

LUXOM

13 Textured White



Features

10 input / output channels.

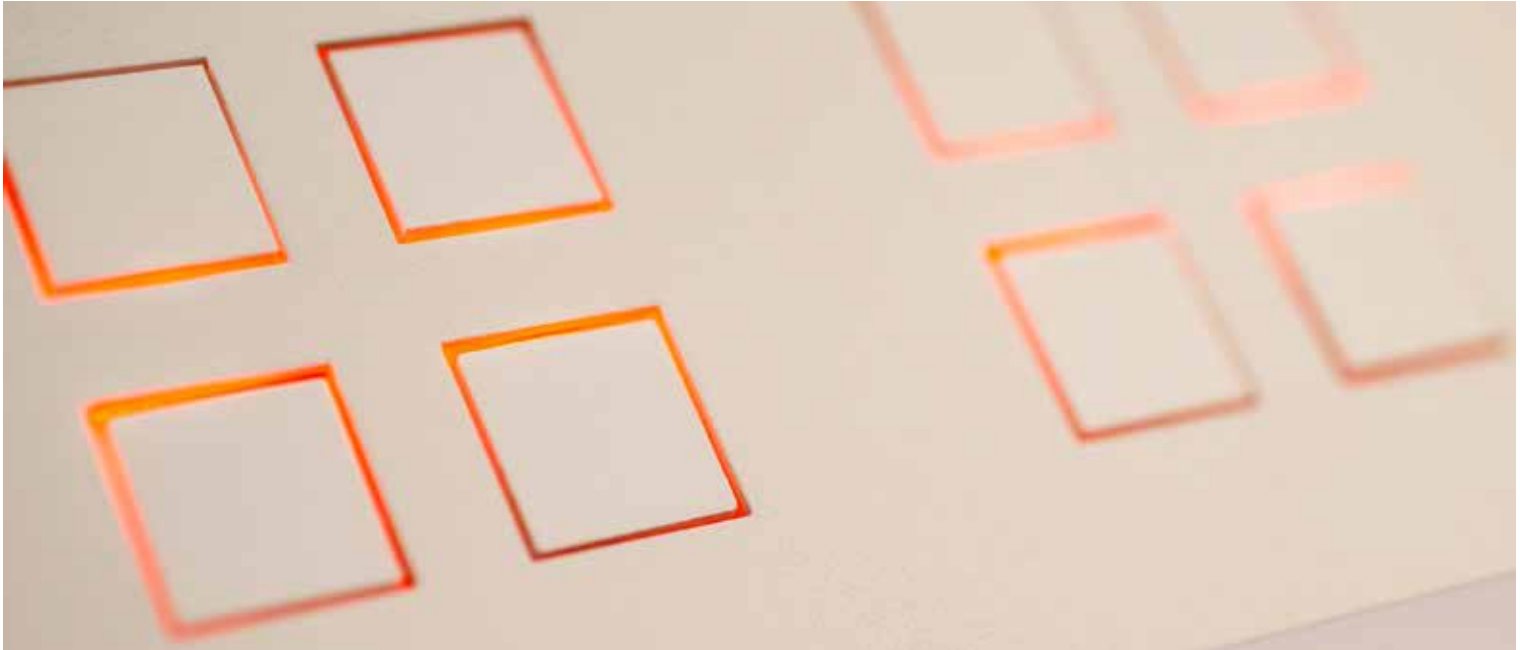
Selected as output: feedback led:
on / off, blinking or inverted.

Selected as input: different functions
possible. Up to 80 actions.

Shift mode: double function.

Short press / long press / double press &
triple press.

— Lock function.



Technical info

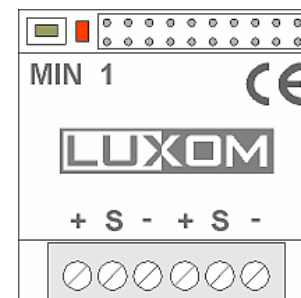
| | |
|-------------------|--|
| Product ID | 101 |
| Operating voltage | 24V DC |
| Power | 0.4 VA (max. 0.8 VA) |
| Connectors | 1.5 mm ² (looping possible) |

Functional info input

| | |
|------------------|---------------------------|
| # input | 10 binary |
| Type | 5V DC (0.5 mA) |
| Impedance | 1.5 kOhm |
| Maximum distance | 10 meter (shielded cable) |
| Connectors | Via cables DS20D & DS21D |

Functional info output

| | |
|------------------|----------------------------|
| # output | 10 Luxom led |
| Type | 5V DC (1.5 mA) |
| Maximum distance | 10 meter (shielded cable) |
| Connectors | Via cables DS23D ... DS27D |



DS03LX



2. Home automation systems

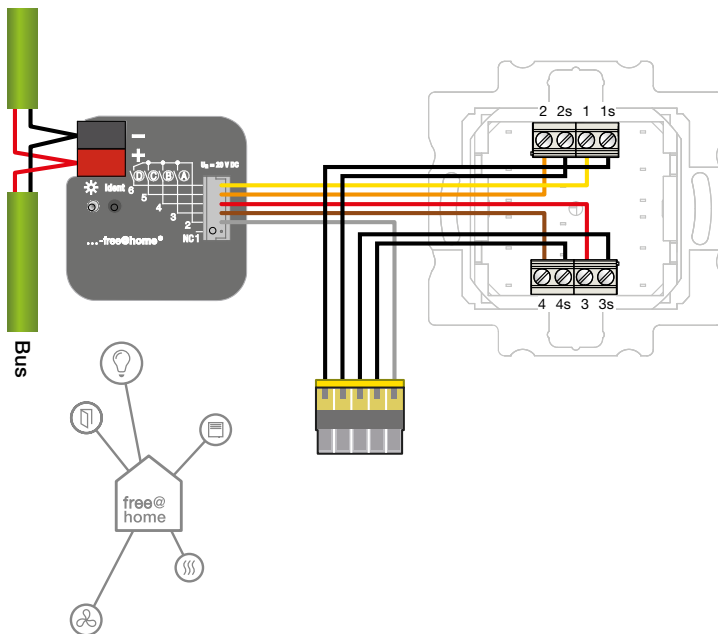
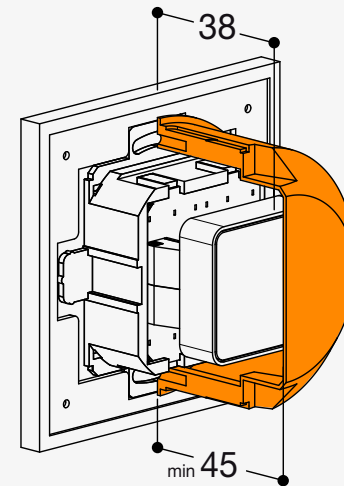
2.4 Free@home

Power and productivity
for a better world™



BUSCH-JAEGER

14 Textured Black



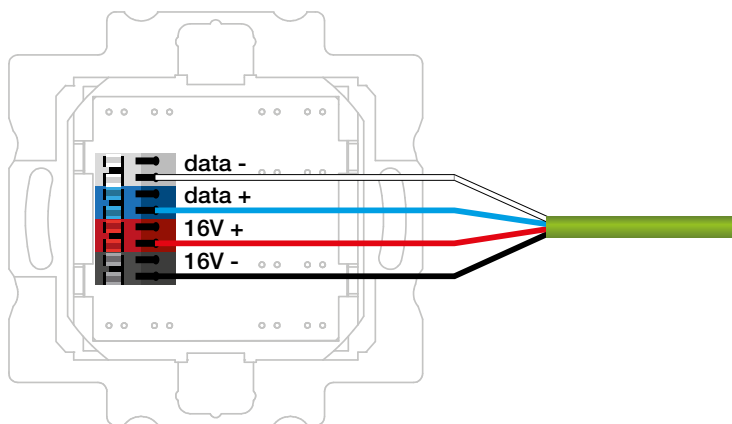
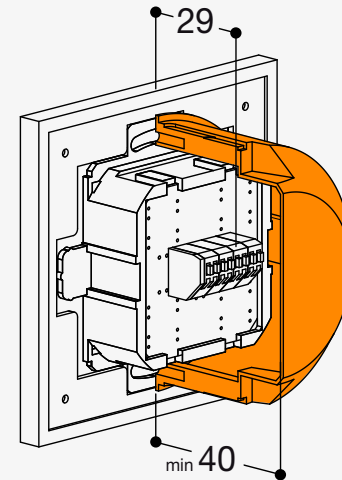
| | Product family | Ref. |
|--|----------------|------------|
| | Select | NiL1xx |
| | Squares | SqL1xx |
| | Select | NiL2xx |
| | Squares | SqL2xx |
| | Select | NiL4xx |
| | Squares | SqL4xx |
| | Select | NiL4L4xx |
| | Squares | SqL4L4xx |
| | Select | NiL4L4L4xx |
| | Squares | SqL4L4L4xx |

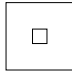
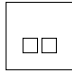
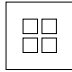
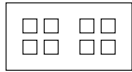
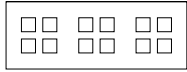
xx Add the color code at the end for any finish you desire.

2. Home automation systems

2.5 Domintell

01 Stainless Steel



| | Product family | RGB feedback led |
|--|----------------|------------------|
|  | Select | NiD1xx |
| | Squares | SqD1xx |
|  | Select | NiD2xx |
| | Squares | SqD2xx |
|  | Select | NiD4xx |
| | Squares | SqD4xx |
|  | Select | NiD4D4xx |
| | Squares | SqD4D4xx |
|  | Select | NiD4D4D4xx |
| | Squares | SqD4D4D4xx |

xx Add the color code at the end for any finish you desire.

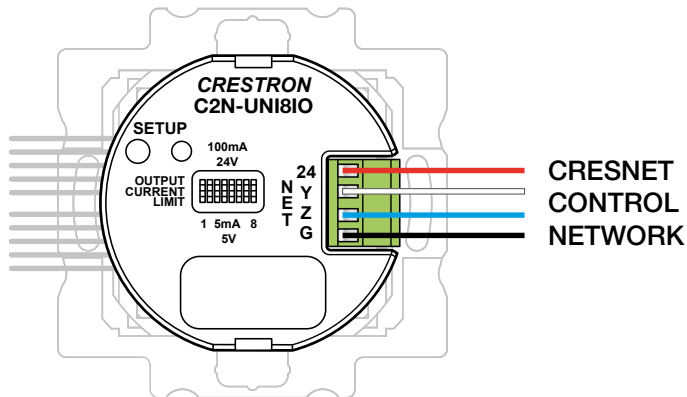
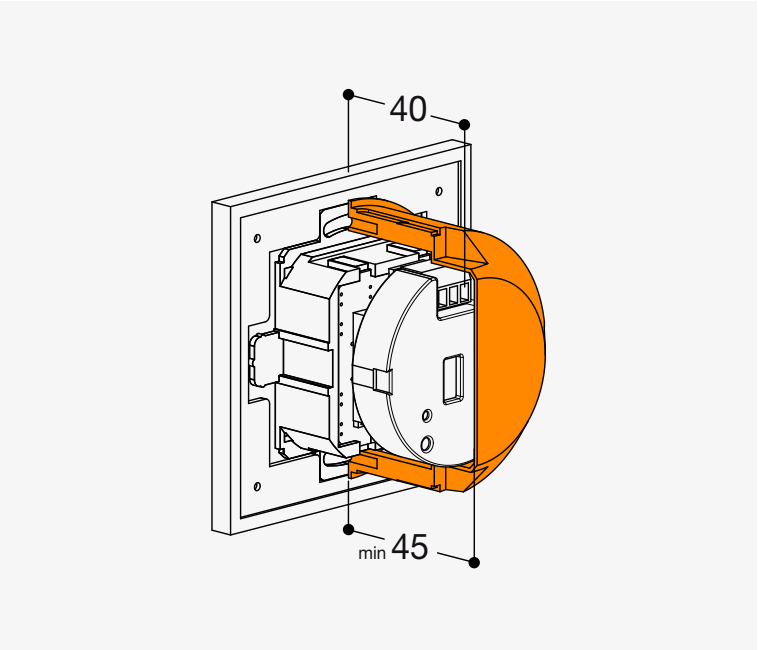


2. Home automation systems

2.6 Crestron



02 Matt White



Specifications

Plug & Play compatible with Crestron interface (interface not included).
One interface can be combined with 8 push buttons (44T).

| | Product | No led | Amber led | White led |
|----------------------------|---------|------------|------------|------------|
| □ | Select | NiB1xx | NiC1xx | NiJ1xx |
| | Squares | SqB1xx | SqC1xx | SqJ1xx |
| □ □ | Select | NiB2xx | NiC2xx | NiJ2xx |
| | Squares | SqB2xx | SqC2xx | SqJ2xx |
| □ □ □ □ | Select | NiB4xx | NiC4xx | NiJ4xx |
| | Squares | SqB4xx | SqC4xx | SqJ4xx |
| □ □ □ □ □ □ □ □ | Select | NiB4B4xx | NiC4C4xx | NiJ4J4xx |
| | Squares | SqB4B4xx | SqC4C4xx | SqJ4J4xx |
| □ □ □ □ □ □ □ □ □ □ □ □ | Select | NiB4B4B4xx | NiC4C4C4xx | NiJ4J4J4xx |
| | Squares | SqB4B4B4xx | SqC4C4C4xx | SqJ4J4J4xx |

xx Add the color code at the end for any finish you desire.

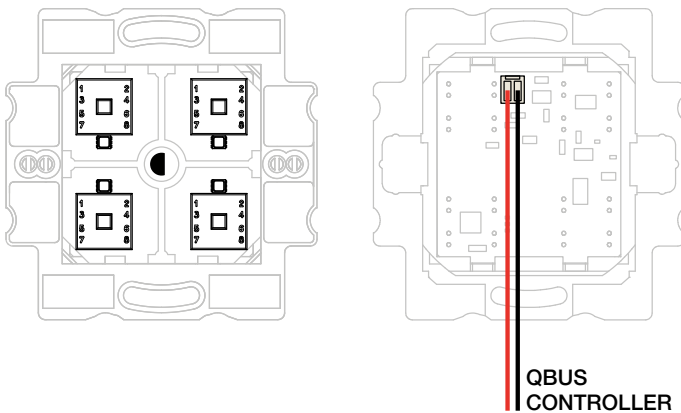
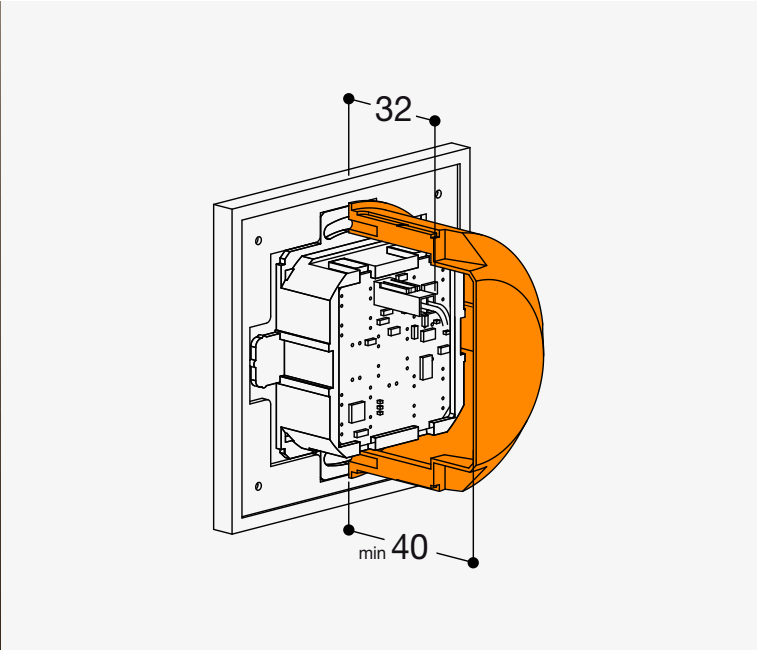


2. Home automation systems

2.7 Qbus



01 Stainless Steel



| | Product family | RGB led | RGB led + temp |
|--|----------------|------------|----------------|
| | Select | NiQ1xx | - |
| | Squares | SqQ1xx | - |
| | Select | NiQ2xx | NiR2xx |
| | Squares | SqQ2xx | SqR2xx |
| | Select | NiQ4xx | NiR4xx |
| | Squares | SqQ4xx | SqR4xx |
| | Select | NiQ4Q4xx | NiR4R4xx |
| | Squares | SqQ4Q4xx | SqR4R4xx |
| | Select | NiQ4Q4Q4xx | NiR4R4R4xx |
| | Squares | SqQ4Q4Q4xx | SqR4R4R4xx |

Motion detection sensor available.

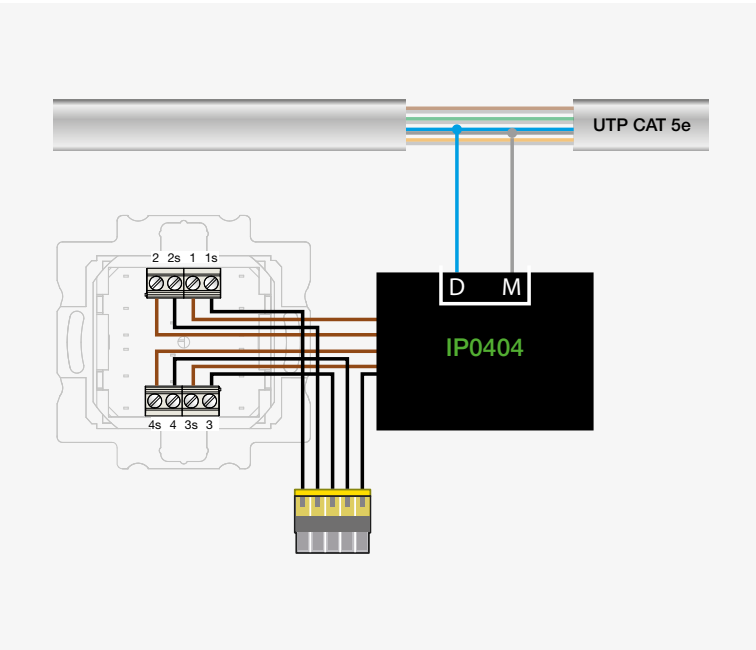
xx Add the color code at the end for any finish you desire.



2. Home automation systems

2.8 IPbuilding

14 Textured Black



| Type | Ref. |
|-------------|----------|
| Badgereader | LiPB05xx |



| Type | Ref. |
|-----------------|----------|
| Motion detector | LiPB03xx |



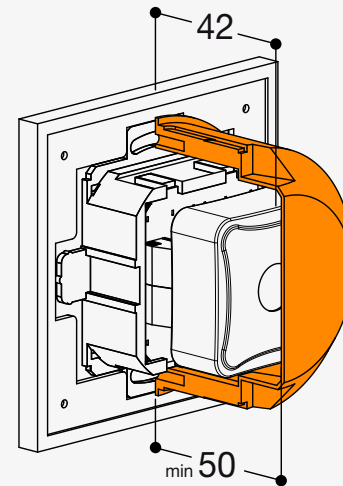
| Type | Ref. |
|--------------|----------|
| Temp. sensor | LiPB01xx |



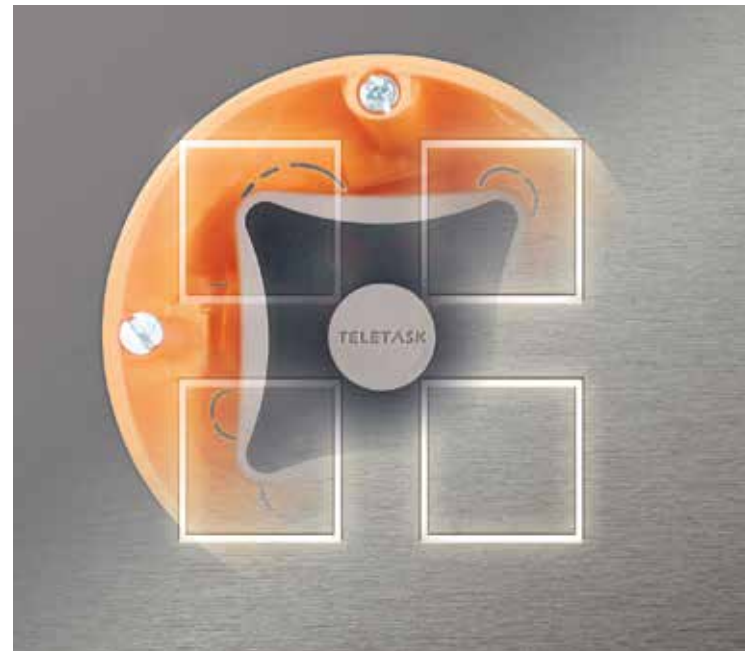
2. Home automation systems

2.9 Other compatible systems - Example Teletask

03 Gunpowder Black (Fusain)



Lithoss 24V push buttons are compatible with Teletask by using cookies. Use cookies with feedback in combination with Lithoss switches + integrated led feedback.



2. Home automation systems

2.10 Overview other compatible systems

Lithoss 24V pushbuttons are compatible with almost every home automation system by using an interface. Below you will find the most common interface modules that can be used in combination with Lithoss push buttons.

| Manufacturer | System | Product Code | # Channels | LED feedback | Dimensions |
|------------------|-----------------|--------------|------------|--------------|-----------------|
| ABB/Busch Jaeger | Busch-free@home | 6241/2.0 U | 2 | No | 39 x 40 x 12 mm |
| ABB/Busch Jaeger | Busch-free@home | 6241/4.0 U | 4 | No | 39 x 40 x 12 mm |
| ABB/Busch Jaeger | EIB/KNX | US/U 2.2 | 2 | Yes | 39 x 40 x 12 mm |
| ABB/Busch Jaeger | EIB/KNX | US/U 4.2 | 4 | Yes | 39 x 40 x 12 mm |
| Berker | EIB/KNX | 7564 20 01 | 2 | Yes | 43 x 29 x 16 mm |
| Berker | EIB/KNX | 7564 40 01 | 4 | Yes | 43 x 29 x 16 mm |
| Berker | EIB/KNX | 7564 80 01 | 8 | Yes | 44 x 48 x 32 mm |
| Bticino | My Home | 3477 | 2 | No | 41 x 41 x 18 mm |
| Clipsal | C-Bus | 5104BCL | 4 | No | 55 x 49 x 19 mm |
| Clipsal | C-Bus | 5102BCLLEDL | 2 | Yes | 55 x 49 x 19 mm |
| Conson | EIB/KNX | XP28 | 4 | Yes | 45 x 45 x 10 mm |
| Control4 | Control4 | C4-DCIM4 | 4 | Yes | 48 x 48 x 10 mm |
| Crestron | Cresnet | CH-UNI8IO | 8 | Yes | 50 x 42 x 24 mm |
| Domintell | Domintell | DISM04 | 4 | Yes | 46 x 28 x 15 mm |
| Domintell | Domintell | DISM08 | 8 | Yes | 46 x 28 x 15 mm |
| Eelectron | EIB/KNX | AD84A02KNX | 4 | Yes | 43 x 36 x 24 mm |
| Eelectron | EIB/KNX | IO22C02KNX | 2 | Yes | 43 x 36 x 17 mm |
| Eelectron | EIB/KNX | IO44C02KNX | 4 | Yes | 43 x 36 x 17 mm |
| Jung | EIB/KNX | 2076-2 T | 2 | Yes | 43 x 28 x 16 mm |
| Jung | EIB/KNX | 2076-4 T | 4 | Yes | 43 x 28 x 16 mm |
| Gira | EIB/KNX | 1118 00 | 2 | No | 44 x 29 x 16 mm |
| Gira | EIB/KNX | 1119 00 | 4 | No | 44 x 29 x 16 mm |
| Hager | EIB/KNX | TX 302 | 2 | No | 38 x 35 x 12 mm |
| Hager | EIB/KNX | TX 304 | 4 | No | 38 x 35 x 12 mm |
| Hager | EIB/KNX | TX 344 | 4 | Yes | 38 x 35 x 12 mm |

*Note: this list is not complete. For other brands, please contact us.



| Manufacturer | System | Product Code | # Channels | LED feedback | Dimensions |
|-------------------|-------------------|---------------------|----------------------|--------------|-----------------|
| IPBuilding | IPBuilding | IP0401 | 1 | No | 20 x 20 x 13 mm |
| IPBuilding | IPBuilding | IP0402 | 2 | No | 20 x 20 x 13 mm |
| IPBuilding | IPBuilding | IP0404 | 4 | No | 30 x 20 x 15 mm |
| IPBuilding | IPBuilding | IP0406 | 6 | No | 30 x 20 x 15 mm |
| IPBuilding | IPBuilding | IP0402FB | 2 | Yes | 20 x 20 x 13 mm |
| IPBuilding | IPBuilding | IP0406FB | 6 | Yes | 30 x 20 x 15 mm |
| Loxone | Smart Home | - | - | - | DIN rail module |
| Lutron | Grafik Eye | GRX-WCI | 2 | No | 59 x 59 x 20 mm |
| Luxom | Luxom | DS03LX | 10 (input or output) | Yes | 40 x 40 x 15 mm |
| Merten | EIB/KNX | KNX 670802 | 2 | Yes | 30 x 40 x 12 mm |
| Merten | EIB/KNX | KNX 670804 | 4 | Yes | 30 x 40 x 12 mm |
| Niko | Niko Home Control | 550-20000 | 4 | No | 40 x 27 x 5 mm |
| One Smart control | One Smart control | - | - | - | One. component |
| Osram | Dali | DALI PRO PB Coupler | 4 | No | 42 x 42 x 20 mm |
| Osram | Lightify (Zigbee) | LIGHTIFY Pro PBC | 4 | No | 45 x 45 x 18 mm |
| Qbus | Qbus | INP02 | 2 | Yes | 41 x 40 x 12 mm |
| Qbus | Qbus | INP04 | 4 | Yes | 41 x 40 x 12 mm |
| Siemens | EIB/KNX | 5WG1 220-2AB02 | 4 | No | 38 x 43 x 18 mm |
| Siemens | EIB/KNX | 5WG1 220-2AB13 | 2 | No | 38 x 43 x 18 mm |
| Siemens | Dali | 5WG1 141-2AB71 | 4 | No | - |
| Teletask | Teletask | TDS12124 | 4 | No | 42 x 42 x 16 mm |
| Teletask | Teletask | TDS12125 | 4 | Yes | 42 x 42 x 22 mm |
| Theben | EIB/KNX | TA 2 496 9 202 | 2 | Yes | 37 x 37 x 10 mm |
| Theben | EIB/KNX | TA 4 496 9 204 | 4 | Yes | 37 x 37 x 10 mm |
| Theben | EIB/KNX | TA 6 496 9 206 | 6 | Yes | 37 x 37 x 10 mm |

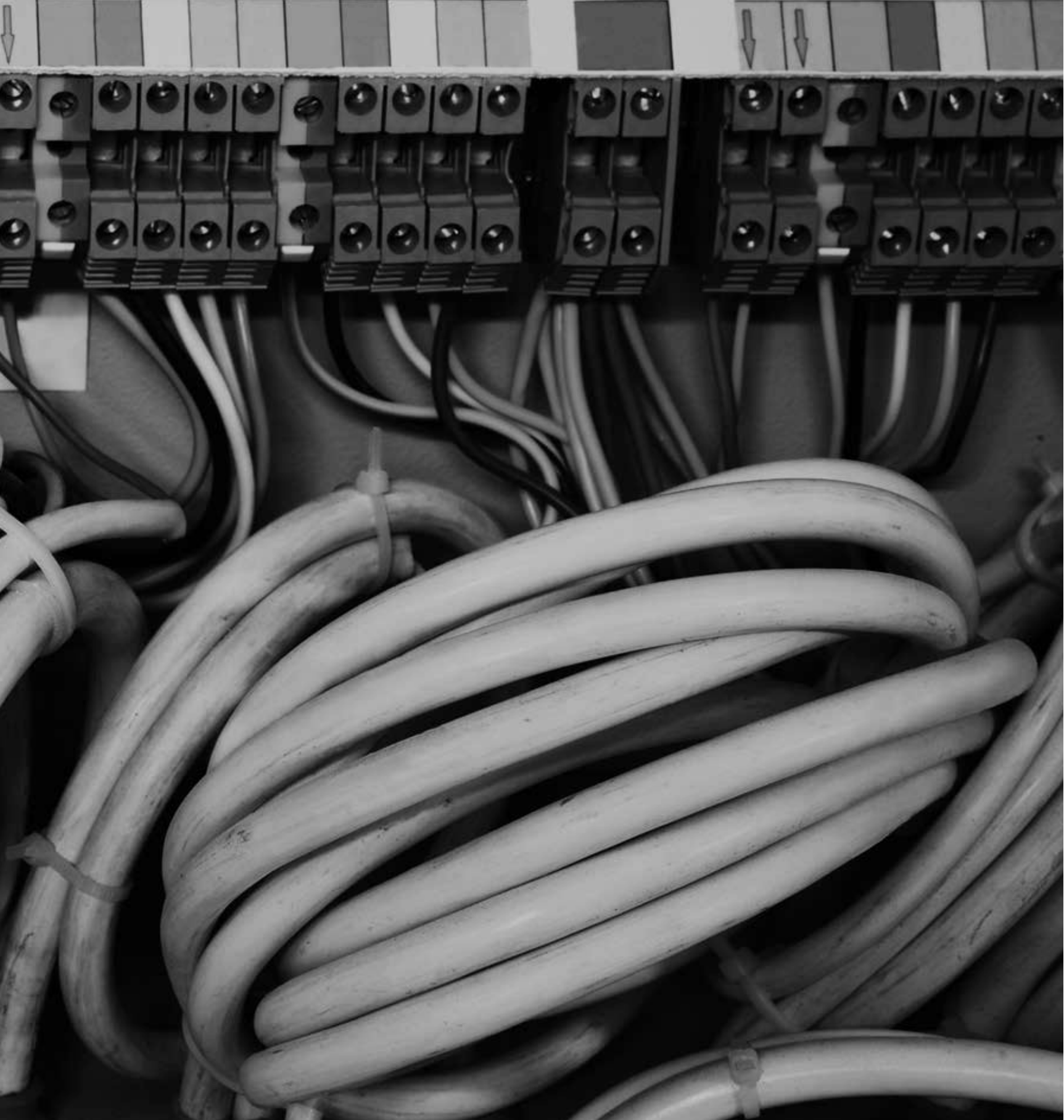
*Note: this list is not complete. For other brands, please contact us.



Lithoss

Technical guide

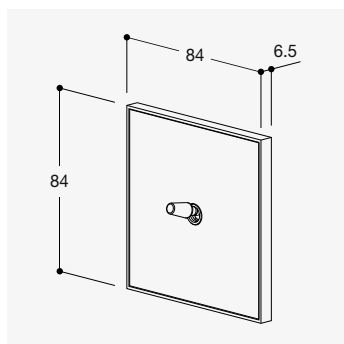
| | | | |
|-----------------------------------|-----|--|-----|
| 1. Dimensions | 200 | 3.5 Illume | 210 |
| 2. Installation guidelines | | 3.6 Dimmer | 211 |
| 2.1 Wall boxes | 201 | 3.7 Luminaires | 212 |
| 2.2 Installation distances | 203 | 3.8 Piano | 214 |
| 2.3 Compatible wall boxes | 204 | 3.9 Void USB | 215 |
| 3. Product bulletins | | 3.10 Void Round | 216 |
| 3.1 Cockpit | 206 | 3.11 Void Square | 217 |
| 3.2 Esteem | 207 | 4. Compatible modules | 218 |
| 3.3 Select & Squares | 208 | 5. Flush installation | 220 |
| 3.4 Select & Squares + LED | 209 | 6. Combinations | 222 |
| | | 7. Printing & engraving | 224 |



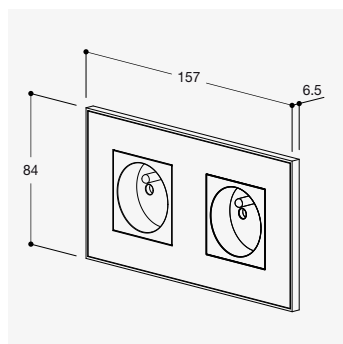
1. Dimensions

1.1 Cockpit, Select, Illume, Squares, Dimmer, Void, Supernova

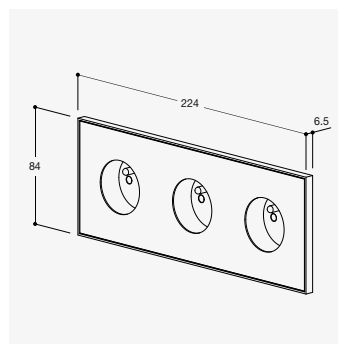
1.1.1 Single frame



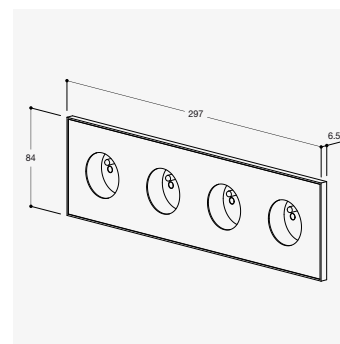
1.1.2 Double frame



1.1.3 Triple frame

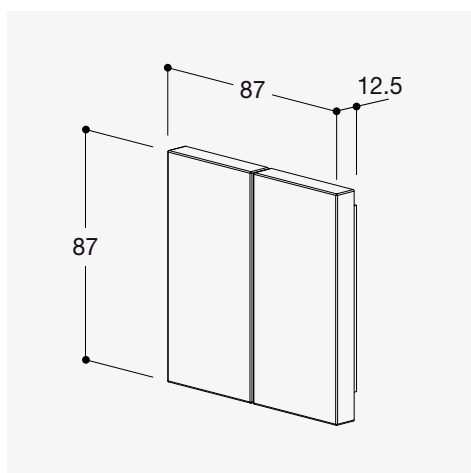


1.1.4 Quadruple frame



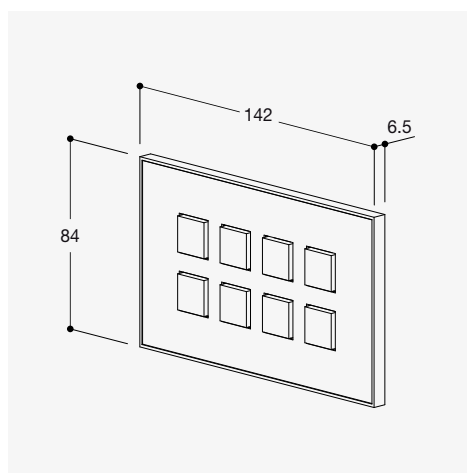
1.2 Æsteem

Single frame



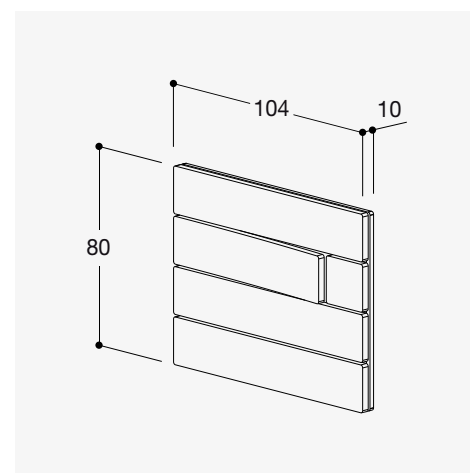
1.3 Britannica

Horizontal



1.4 Piano

Single frame



2. Installation guidelines

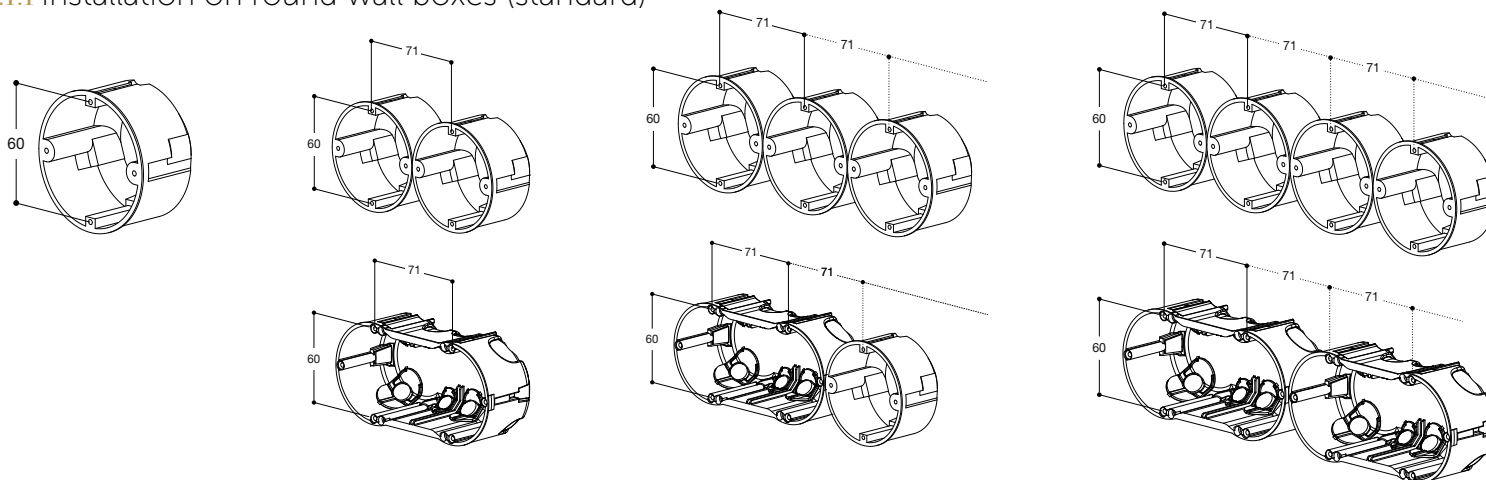
2.1 Wall boxes

Lithoss switches and sockets should be installed on wall boxes with screws (screw distance: 60mm).

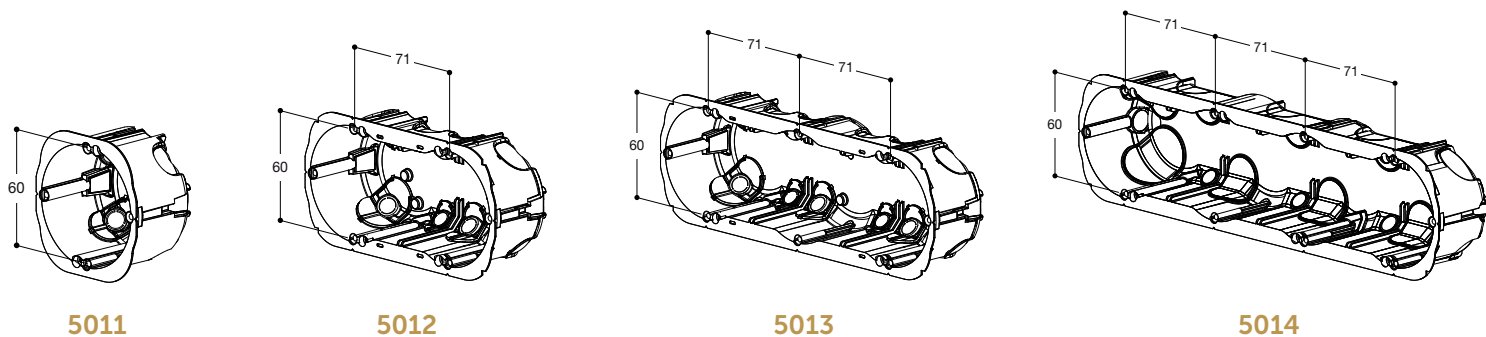
Below you will find an overview of possible combinations. For other European standards check

— compatible wall boxes on pages 203 & 204.

2.1.1 Installation on round wall boxes (standard)



2.1.2 Installation on round wall boxes (O-range)



Remarks

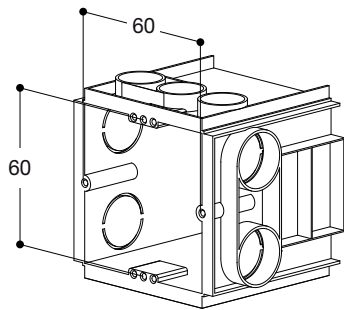
Do not use O-range in combination with Void Round.

Do not use O-range in combination with Void Square frame B & C.

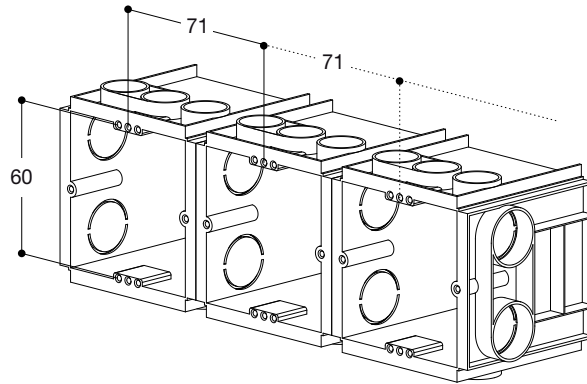
2. Installation guidelines

2.1 Wall Boxes

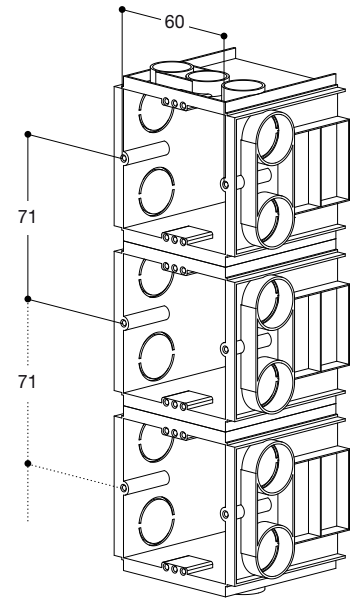
2.1.3 Installation on square wall boxes



square wall box

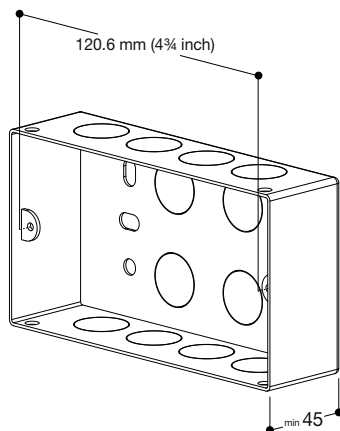


horizontal installation



vertical installation

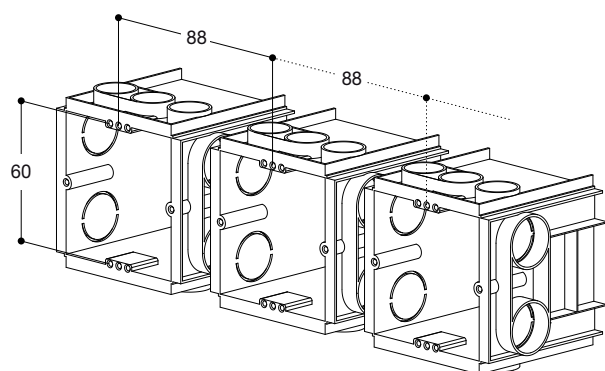
2.1.4 Britannica



2 gang wall box acc. to B.S. 4662

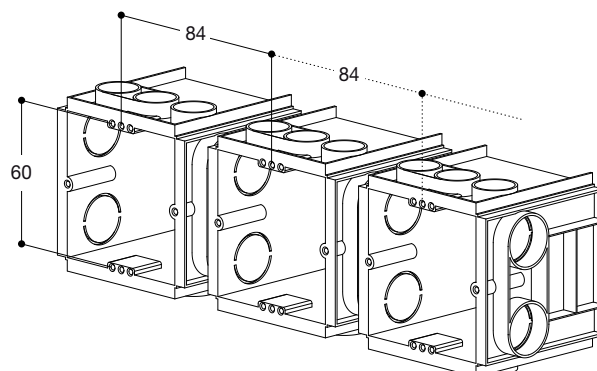
2.2 Installation distances

2.2.1 Esteem

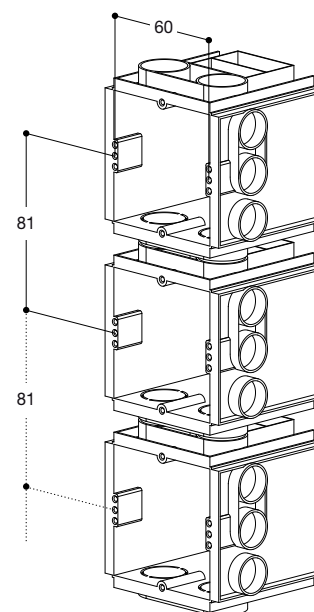
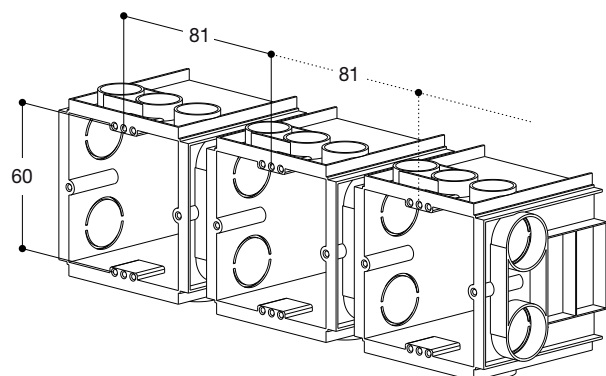


2.2.2 Individual installation

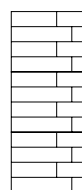
Applicable for Illume, Select, Void, Squares and Dimmer.



2.2.5 Piano



horizontal installation



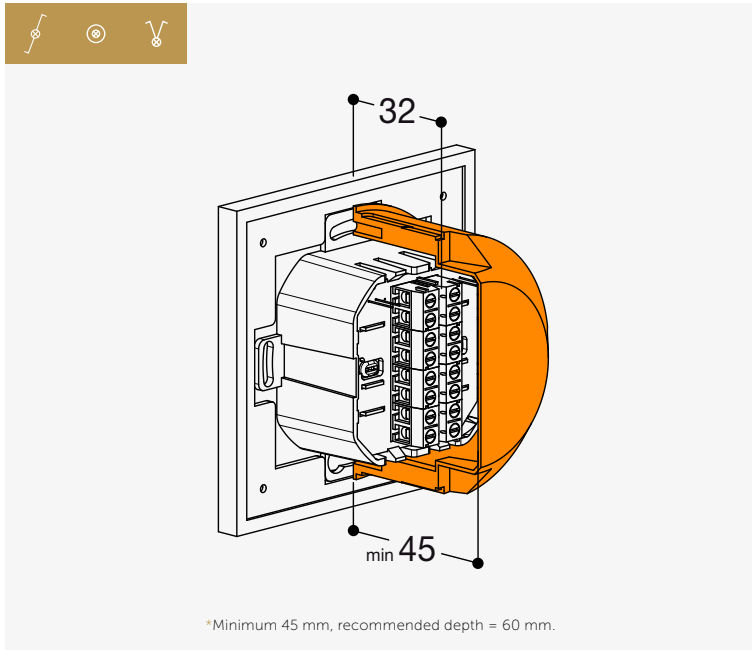
vertical installation

2.3 Compatible wall boxes

| Manufacturer | Series | Reference | Modules | Application | Size / Dia | Depth | # Screws |
|--------------|----------|-------------------|---------|-------------------|------------|-------|----------|
| Kaiser | na | 1055-xx - 1056-xx | 1 | Wallbox | 60 | 46 | 2 - 4 |
| Kaiser | na | 1055-xx - 1056-xx | 1 | Wallbox | 60 | 60 | 2 - 4 |
| Kaiser | na | 1069-xx | 1 | Wallbox | 110 x 71 | 49 | 2 |
| Kaiser | na | 1068-xx | 1 | Wallbox | 149 x 69 | 60 | 2 |
| Helia | na | 275 | 1 | Wallbox | 60 x 60 | 50 | 2 |
| Helia | na | 276 | 1 | Wallbox | 60 x 60 | 65 | 2 |
| Helia | na | 750 | 1 | Wallbox | 60 x 60 | 50 | 2 |
| Helia | na | 752 | 1 | Wallbox | 60 x 60 | 50 | 2 |
| Helia | na | 760 | 1 | Wallbox | 60 x 60 | 65 | 2 |
| Helia | Q-series | 7500 | 1 | Wallbox | 60 x 60 | 50 | 2 |
| Helia | Q-series | 7650 | 1 | Wallbox | 60 x 60 | 65 | 2 |
| Kaiser | na | 9x61-xx | 1 | Hollow partitions | 68 | 35 | 2 |
| Kaiser | na | 9x63-xx | 1 | Hollow partitions | 68 | 47 | 2 |
| Kaiser | na | 9x64-xx | 1 | Hollow partitions | 68 | 68 | 2 |
| Kaiser | na | 9x62-xx | 2 | Hollow partitions | 2 x 68 | 47 | 2 x 2 |
| Kaiser | na | 9062-94 | 2 | Hollow partitions | 2 x 68 | 75 | 2 |
| Kaiser | na | 9463-xx | 1 | Hollow partitions | 74 | 40 | 2 |
| Kaiser | na | 9464-xx | 1 | Hollow partitions | 74 | 50 | 2 |
| Helia | O-series | 5011 | 1 | Hollow partitions | 68 | 47 | 2 |
| Helia | O-series | 5012 | 2 | Hollow partitions | 2 x 68 | 47 | 2x2 |
| Helia | O-series | 5013 | 3 | Hollow partitions | 3 x 68 | 47 | 3x2 |
| Helia | O-series | 5014 | 4 | Hollow partitions | 4 x 68 | 47 | 4x2 |
| Legrand | Batibox | 80141 | 1 | Wallbox | 70x70 | 40 | 2 |
| Legrand | Batibox | 80151 | 1 | Wallbox | 70x70 | 50 | 2 |
| Legrand | Batibox | 80161 | 1 | Wallbox | 70x70 | 60 | 2 |
| Legrand | Batibox | 80142 | 2 | Wallbox | 145x70 | 40 | 4 |
| Legrand | Batibox | 80143 | 3 | Wallbox | 215x70 | 40 | 6 |
| Legrand | Batik | 89241 | 1 | Wallbox | 70x70 | 40 | 2 |
| Legrand | Batik | 89251 | 1 | Wallbox | 70x70 | 50 | 2 |
| Legrand | Batik | 89261 | 1 | Wallbox | 70x70 | 60 | 2 |
| Legrand | Batibox | 80041 | 1 | Hollow partitions | 67 | 40 | 2 |
| Legrand | Batibox | 80051 | 1 | Hollow partitions | 67 | 50 | 2 |
| Legrand | Batibox | 80061 | 1 | Hollow partitions | 67 | 60 | 2 |
| Legrand | Batibox | 80052 | 2 | Hollow partitions | 138x67 | 50 | 4 |
| Legrand | Batibox | 80053 | 3 | Hollow partitions | 208x67 | 50 | 6 |
| Legrand | Batibox | 80054 | 4 | Hollow partitions | 278x67 | 50 | 8 |
| Legrand | | 89224 | 1 | Hollow partitions | 67 | 40 | 2 |
| Reddy | na | B45 | 1 | Wallbox | 60 x 60 | 45 | 2 |
| Reddy | na | B65 | 1 | Wallbox | 60 x 60 | 65 | 2 |
| Reddy/Jangar | na | 2660 | 1 | Hollow partitions | 68 | 65 | 2 |
| Reddy/Jangar | na | 2661 | 1 | Hollow partitions | 68 | 45 | 2 |
| Reddy/Jangar | na | 2663 | 2 | Hollow partitions | 68 | 45 | 4 |
| Reddy/Jangar | na | 2664 | 3 | Hollow partitions | 68 | 45 | 6 |
| Reddy/Jangar | na | 2665 | 4 | Hollow partitions | 68 | 45 | 8 |

3. Product bulletins

3.1 Cockpit



General description

The Cockpit is a toggle switch that can be connected directly to any conventional installation. One or two toggle switches per module are possible. Three versions are available: 2-way, push button and shutter switch.

Optional neon feedback light possible.

Technical specifications

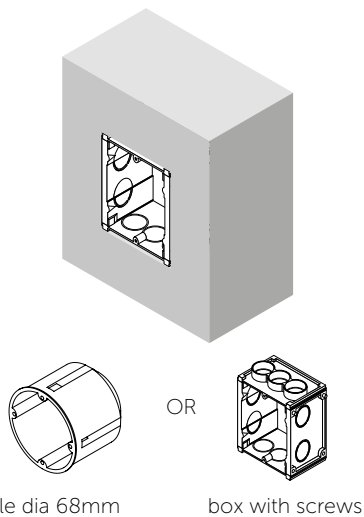
| | |
|--------------------|----------------------------|
| Switching capacity | 250V / 10A |
| 2-way | ON - ON |
| Push button | MOM OFF MOM |
| Shutter switch | ON OFF ON |
| Lifecycle | 10.000 cycles at full load |
| Neon | 250V |

Approval

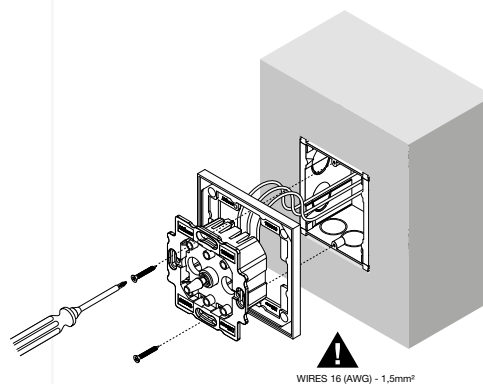
| | |
|-----------------------|-----------------|
| CE | Conform |
| RoHS | RoHS compatible |
| Regulatory compliance | IEC60669-1 |

Installation scenario

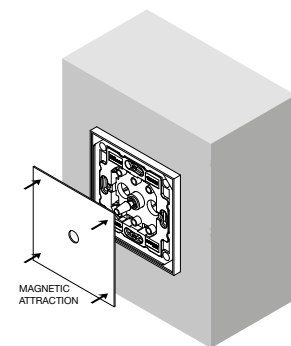
1 Recessed wall box installation.



2 Fix frame to wall or junction box with 2 screws (use holes on vertical axis).

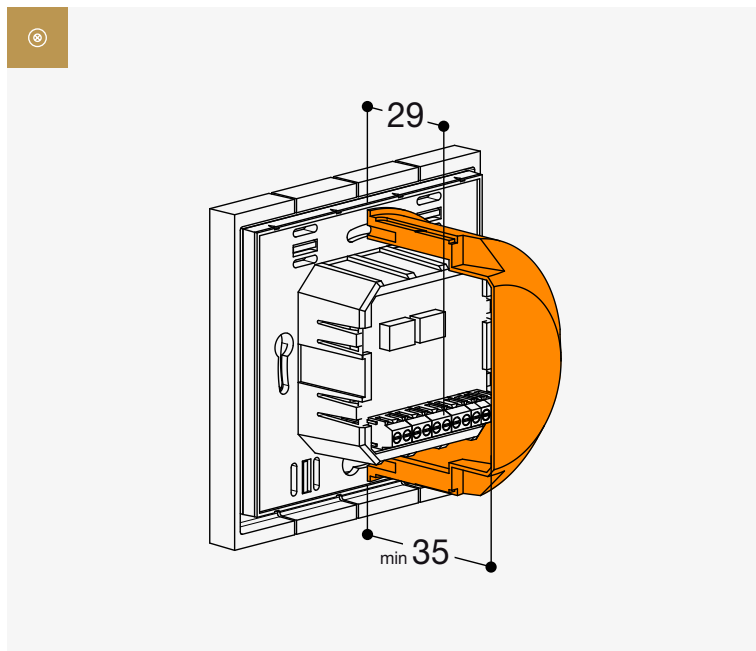


3 Place coverplate in the frame.



Wiring diagram on page 178-181.

3.2 Esteem



General description

The low tension pushbuttons are an ideal solution for home automation or use with impulse switches, featuring up to 4 normal open contacts.

All buttons are combined on one common connection: this means there is a 5-pole screw terminal for a standard switch with 4 operational buttons.

Technical specifications

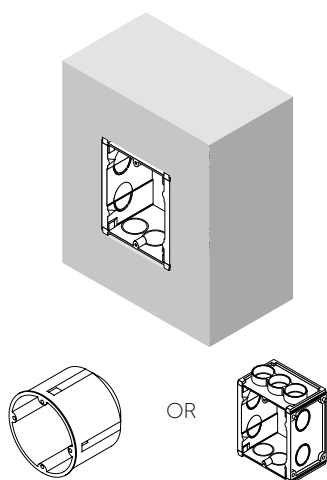
| | |
|--------------------|------------------------|
| Switching capacity | 0-48V DC |
| LED feedback | RGB 24V common cathode |
| LED orientation | RGB 24V common cathode |
| RGB setting | By DIPswitches |

Approval

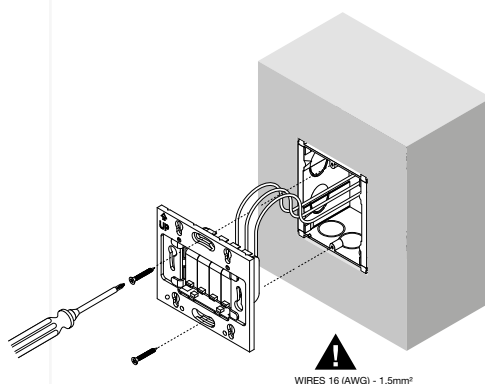
| | |
|------|-----------------|
| CE | Conform |
| RoHS | RoHS compatible |

Installation scenario

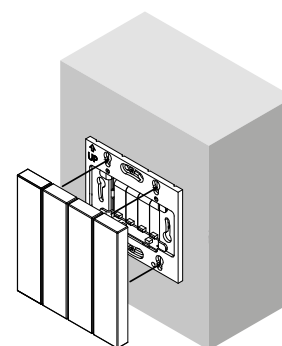
1 Recessed wall box installation.



2 Fix frame to wall or junction box with 2 screws (use holes on vertical axis).

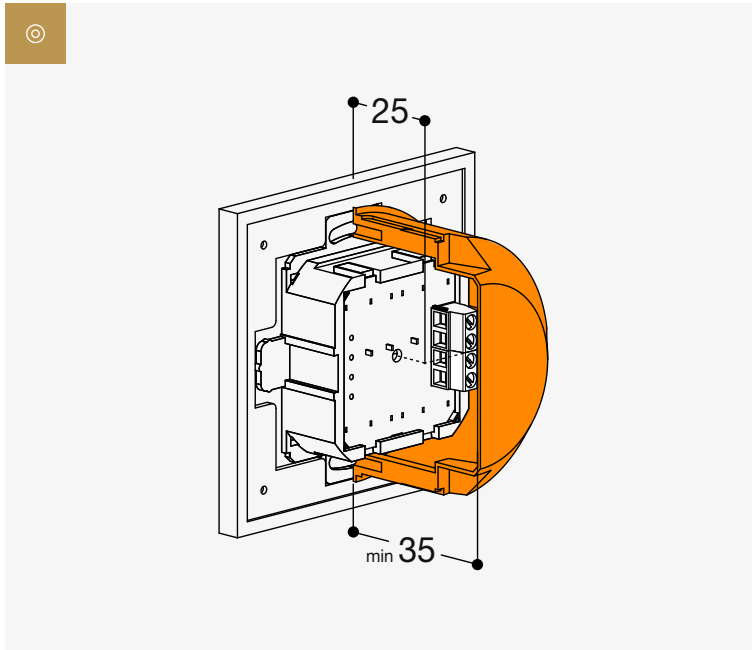


3 Place coverplate in the frame.



3. Product bulletins

3.3 Select & Squares 24V/250V



General description

The Lithoss 24V/250V push buttons are very simple to work with although they are extremely versatile. They can be combined with various home automation systems or can be combined with micro modules. The simple design and accessible screw terminals make them easy to install.

Technical specifications

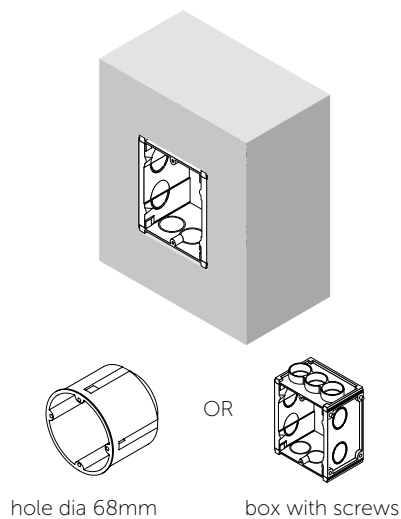
| | |
|-----------------------|-------------------------|
| Switching capacity | 24V / 250V |
| Function | SPST (ON) - OFF |
| Contact material | Silver |
| Lifecycle | 30 million operations |
| Dielectrical strenght | 1000V RMS |
| Maximum load | 9Watt (AC) - 6Watt (DC) |

Approval

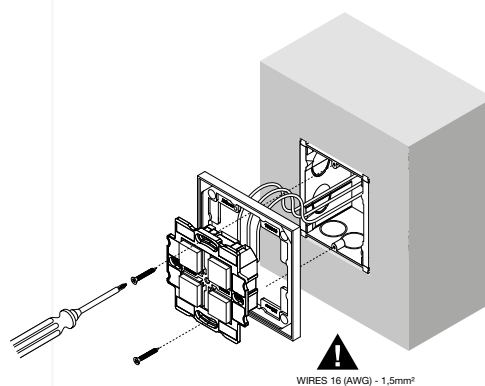
| | |
|-----------------------|-----------------|
| CE | Conform |
| RoHS | RoHS compatible |
| Regulatory compliance | IEC60669-1 |

Installation scenario

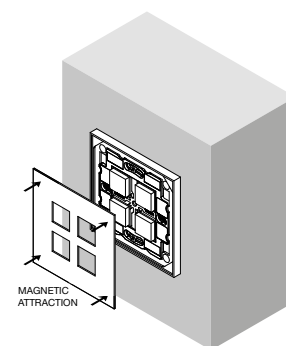
1 Recessed wall box installation.



2 Fix frame to wall or junction box with 2 screws (use holes on vertical axis).

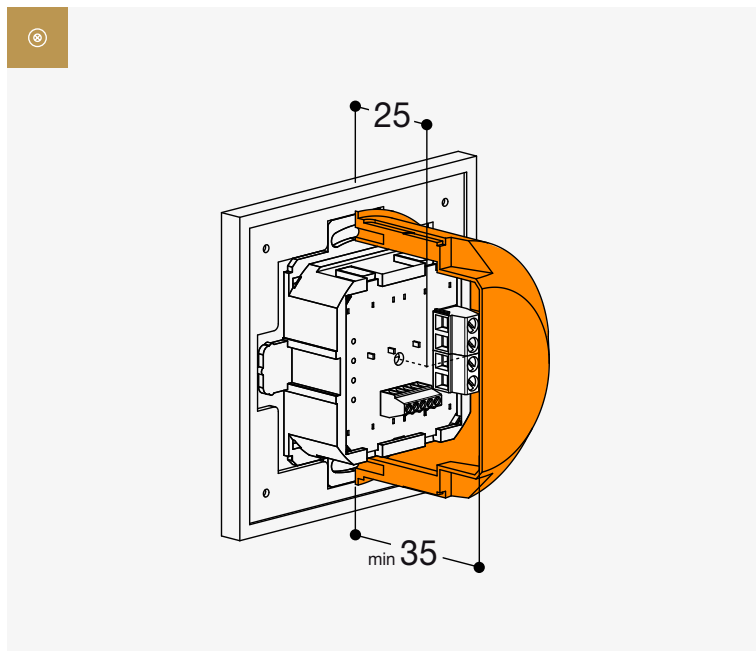


3 Place coverplate in the frame.



3. Product bulletins

3.4 Select & Squares 24V + LED feedback



General description

The Lithoss 24V push buttons are an ideal solution for domestic installations. The LEDs can be used for any kind of feedback.

LED connection can be used both in common anode and common cathode.

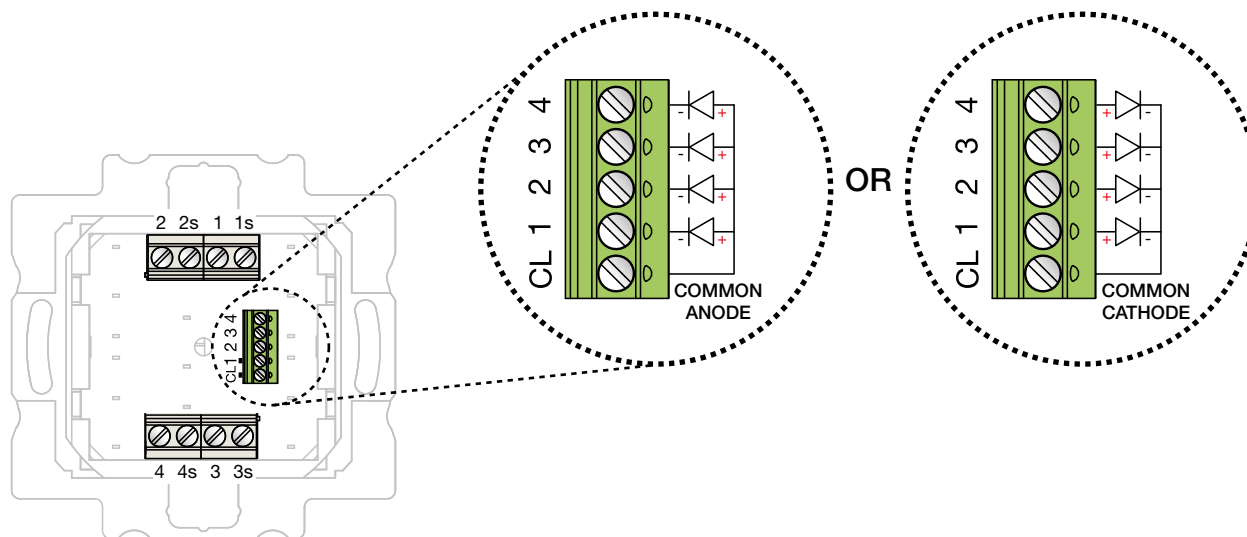
Technical specifications (LED)

U_f 24V DC
I_f 20mA

Approval

CE Conform
RoHS RoHS compatible

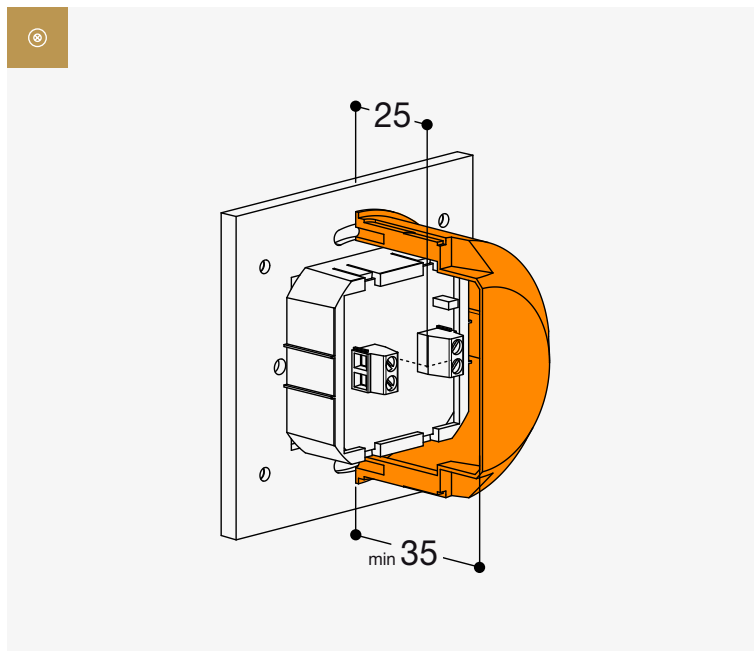
Wiring diagram LEDs



For installation, see previous page.

3. Product bulletins

3.5 Illume



General description

Lithoss enlightens your life with your lit-up switches of the Illume collection. Thanks to its subtle light this push button switch becomes a light in the dark. Illume is a marriage between a switch and orientation light.

Technical specifications

| | |
|-----------------------|-------------------------|
| Switching capacity | 24V DC |
| Function | SPST (ON) - OFF |
| Contact material | Silver |
| Lifecycle | 1,5 million operations |
| Dielectrical strenght | 1000V RMS |
| Maximum load | 9Watt (AC) - 6Watt (DC) |

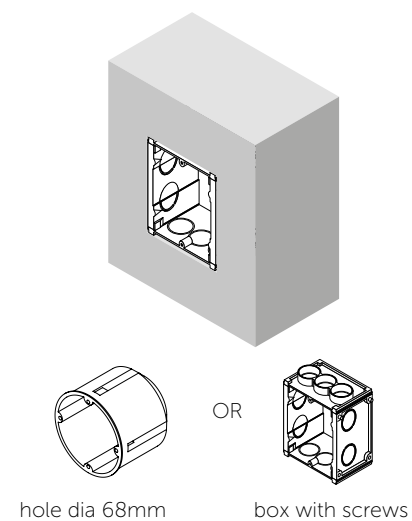
| | |
|--------|---------------------|
| Uf LED | 24V DC |
| If LED | 30mA (Amber & Red) |
| If LED | 20mA (White & Blue) |

Approval

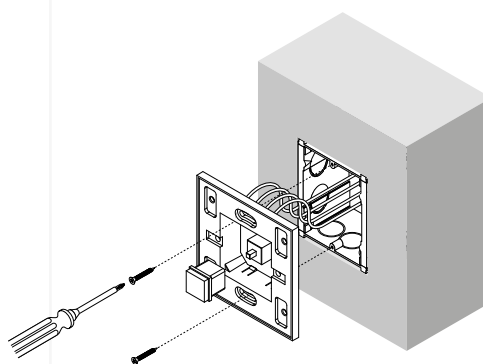
| | |
|------|-----------------|
| CE | Conform |
| RoHS | RoHS compatible |

Installation scenario

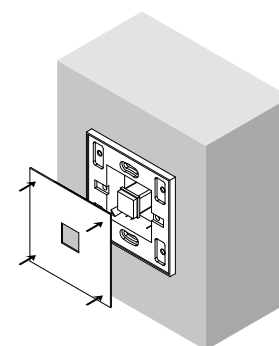
1 Recessed wall box installation.



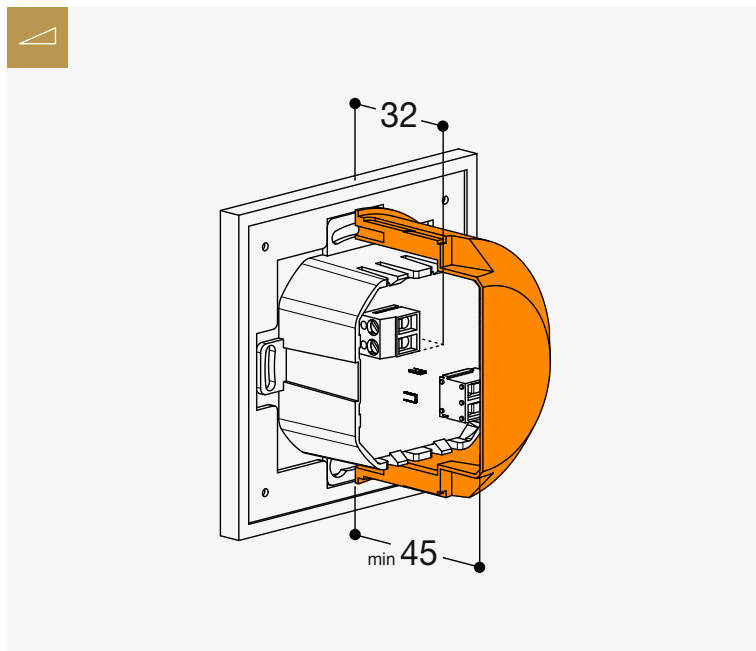
2 Fix frame to wall or junction box with 2 screws (use holes on vertical axis).



3 Place coverplate in the frame.



3.6 Dimmer



General description

The Lithoss dimmer is a rotational dimmer with also a (limited) switching capacity. The button has a very ergonomical size and provides a natural feeling in order to dim the light or the music.

Technical specifications

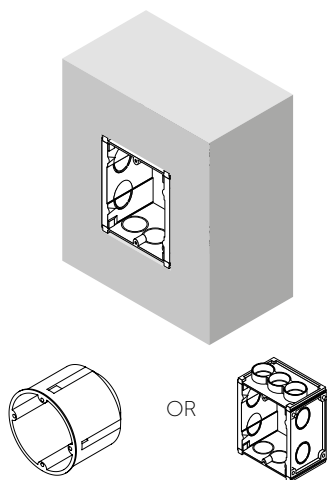
| | |
|--------------------|-------------------|
| Dim protocol | 1-10V (universal) |
| Switching capacity | 250V AC / 2A |

Approval

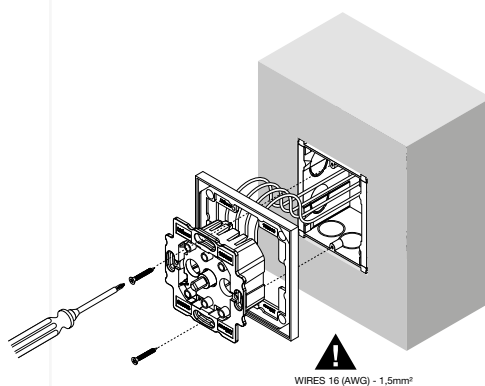
| | |
|-----------------------|-----------------|
| CE | Conform |
| RoHS | RoHS compatible |
| Regulatory compliance | IEC60669-1 |

Installation scenario

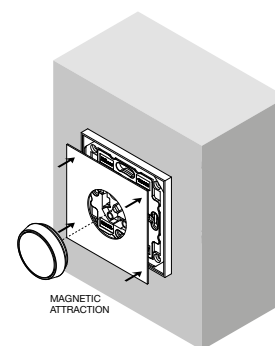
1 Recessed wall box installation.



2 Fix frame to wall or junction box with 2 screws (use holes on vertical axis).

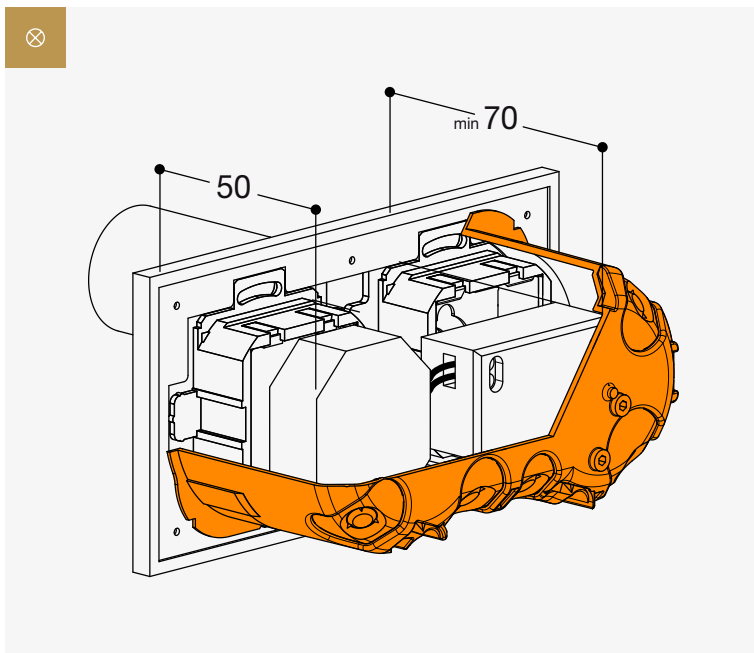


3 Place coverplate in the frame.



3. Product bulletins

3.7 Luminaires



General description

The Luminaires can be combined within the Select, Squares & Cockpit range. The small lighting fixtures are perfectly integrated. They can be used as bedlight or reading lamp.

Technical specifications (LED fixture)

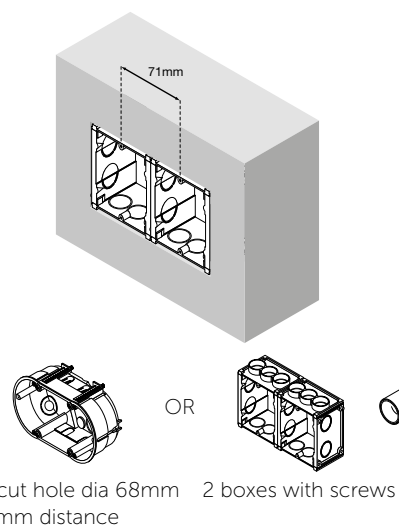
| | |
|-------------------|-----------|
| Power | 4Watt |
| Light output | 400 lumen |
| Control | 350mA DC |
| Vf | 10,95V |
| Color temperature | 2700K |
| Dimmable | PWM |

Approval

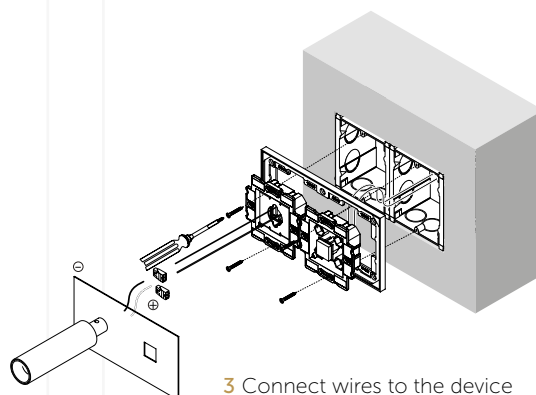
| | |
|------|-----------------|
| CE | Conform |
| RoHS | RoHS compatible |

Installation scenario

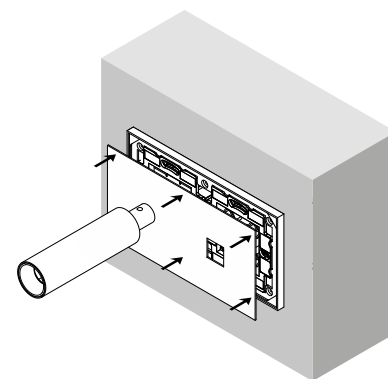
1 Recessed wall box installation.



2 Fix frame to wall or junction box with 2 screws (use holes on vertical axis).



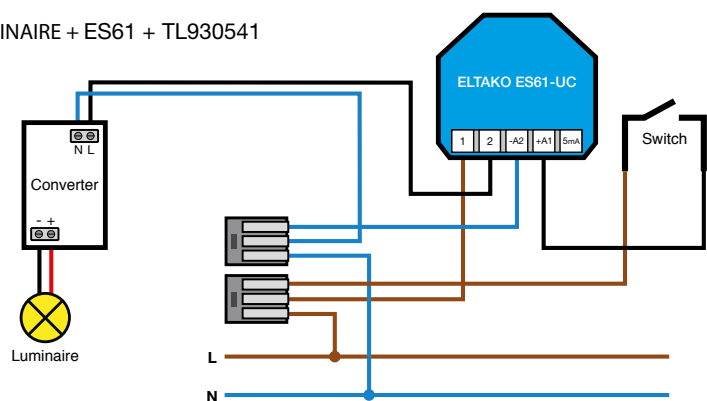
3 Place coverplate in the frame.



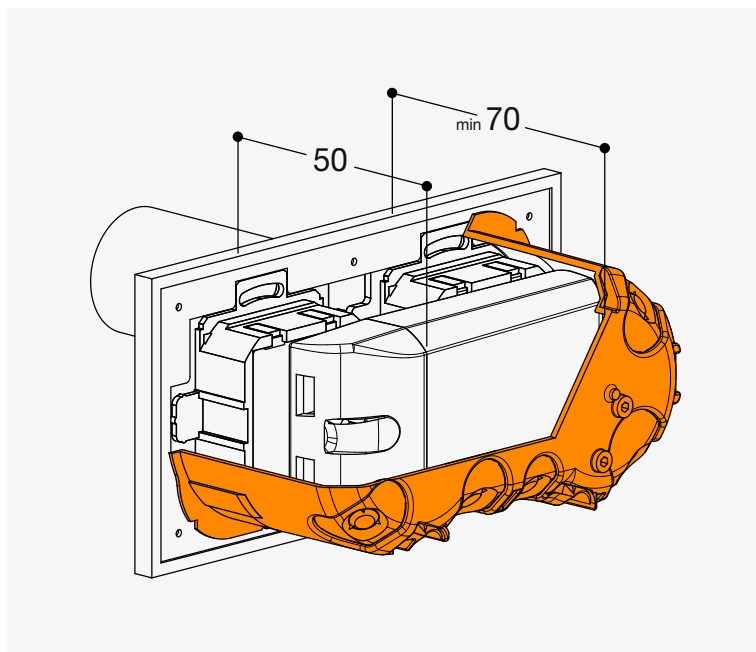
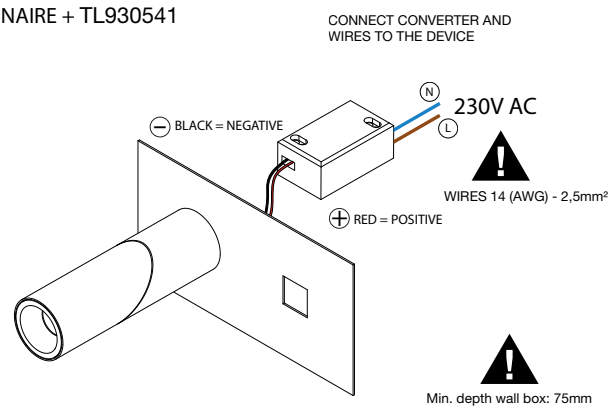
Wiring diagram on next page.

Suggested wiring diagram

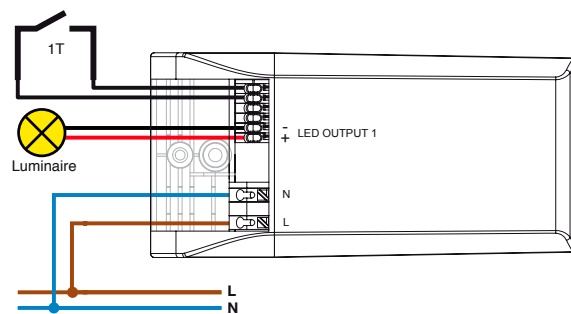
LUMINAIRE + ES61 + TL930541



LUMINAIRE + TL930541



Luminaire with push button dimmable driver



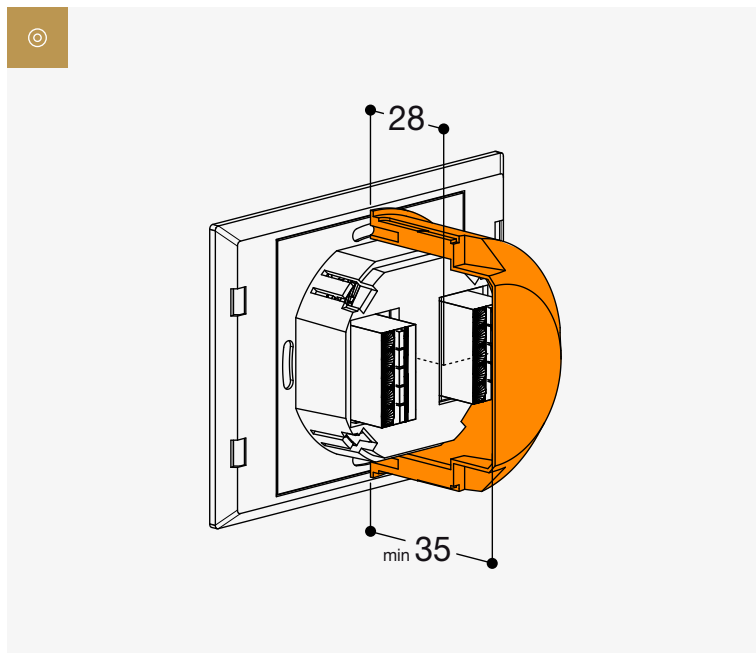
Optional convertor

Acc005

Powered converter 1-20W 350mA push dim

3. Product bulletins

3.8 Piano



General description

The Lithoss Piano pushbuttons are very simple to work with, but are in fact extremely versatile. They can be combined with various micro modules that will determine the buttons function. Timer functions, dim units and store controllers are just some of the many possibilities. They are also an ideal solution for domotic installations.

Technical specifications

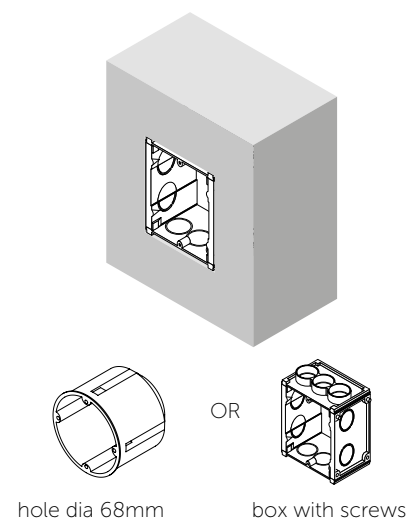
| | |
|-----------------------|--|
| Switching capacity | 24V DC / 250V AC - 10A (resistive load) |
| Function | SPST (ON) - OFF |
| Contact material | Silver |
| Lifecycle | 10 million mechanically / 50k at full load |
| Dielectrical strenght | 1000V RMS |
| Maximum load | 9Watt (AC) - 6Watt (DC) |
| Connection method | Quick connect terminal |

Approval

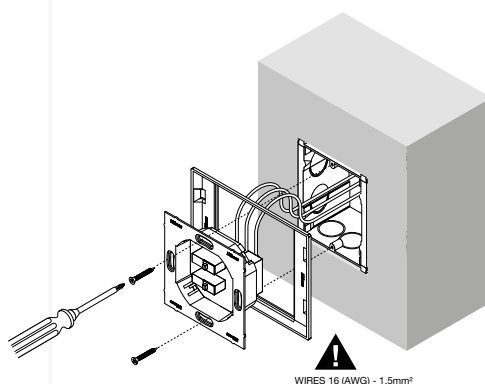
| | |
|-----------------------|-----------------|
| CE | Conform |
| RoHS | RoHS compatible |
| Regulatory compliance | IEC60669-1 |

Installation scenario

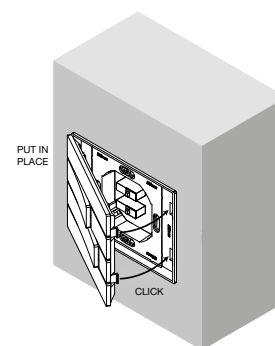
1 Recessed wall box installation.



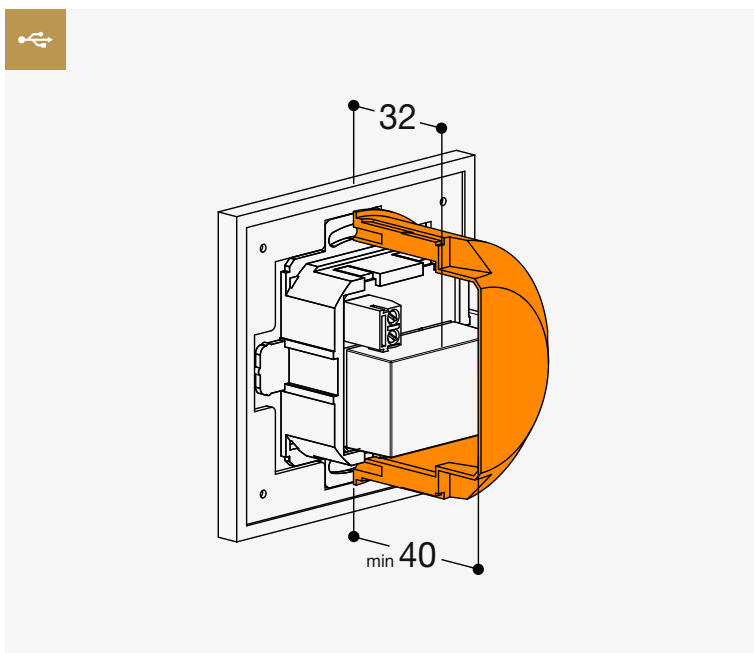
2 Fix frame to wall or junction box with 2 screws (use holes on vertical axis).



3 Place coverplate in the frame.



3.9 Void USB



General description

The Lithoss USB charger can easily be used on every standard (European) mounting box that connects directly to 230V. Moreover, the Lithoss USB charger has an indication LED light so that you will always be able to see how much it has charged. It goes without saying that all possible safety provisions (short-circuit, heat, reversed polarity,...) are in place allowing you to charge your device not only safely but also in style.

Technical specifications

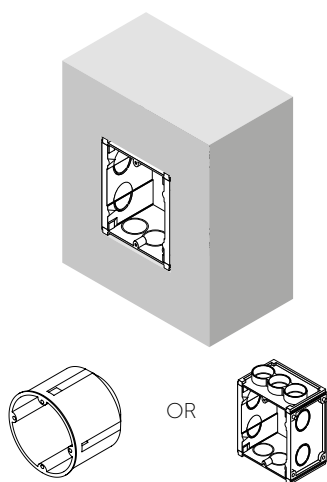
| | |
|--------------|---|
| Power | 230V / 10Watt |
| Output | 5V - 2A |
| LED feedback | Charge - trickle charge - fully charged |

Approval

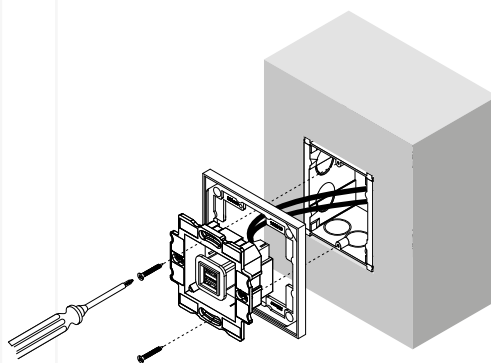
| | |
|------|-----------------|
| CE | Conform |
| RoHS | RoHS compatible |

Installation scenario

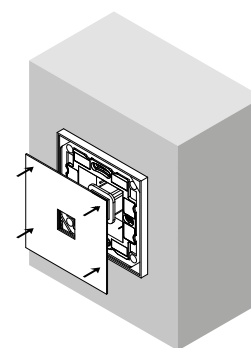
1 Recessed wall box installation.



2 Fix frame to wall or junction box with 2 screws (use holes on vertical axis).

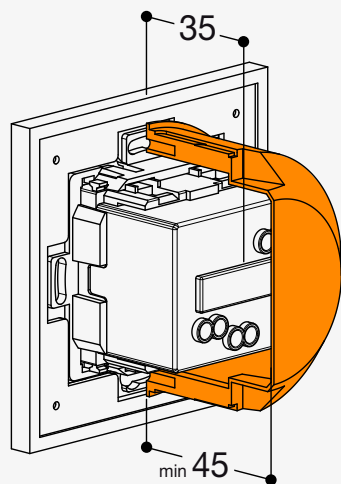


3 Place coverplate in the frame.



3. Product bulletins

3.10 Void Round



*Minimum 45 mm, recommended depth = 60 mm.

General description

The power outlet is discretely hidden behind the cover plate, giving your power outlet that perfect sleek appearance you're looking for. The Void Round always contains an incorporated Vimar socket module.

Technical specifications

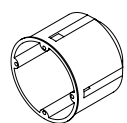
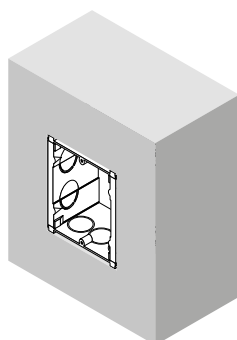
| | |
|-----------------|---------|
| Rated voltage | 250V AC |
| Maximum current | 16A |

Approval

| | |
|-------------------------------|-------------------------|
| CE | Conform |
| RoHS | RoHS compatible |
| French standard socket outlet | NF C 61-314 Standard |
| German standard socket outlet | DIN VDE 0620-1 Standard |

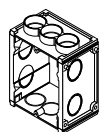
Installation scenario

1 Recessed wall box installation.



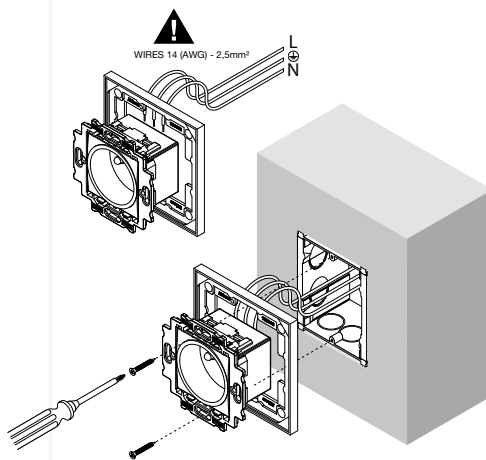
hole dia 68mm

OR

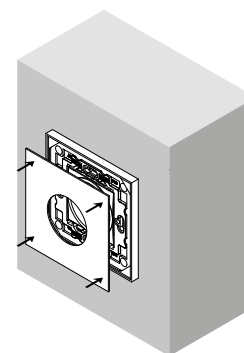


box with screws

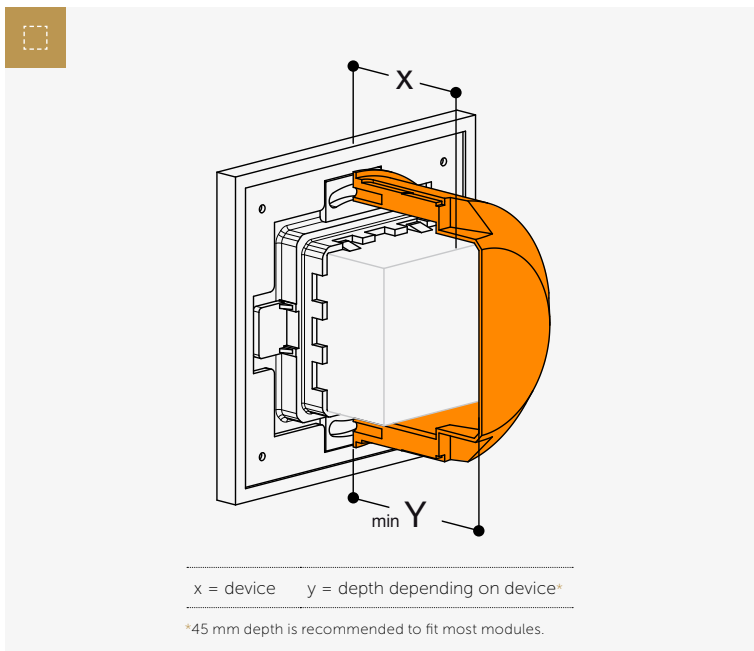
2 Fix frame to wall or junction box with 2 screws (use holes on vertical axis).



3 Place coverplate in the frame.



3.11 Void Square



General description

Void Square is the well-known range of Lithoss outlets (MG, MMG, MMMG, MMMMG and combinations). This range is compatible with 45 x 45 mm modules.

Three different frames are available in order to be compatible with most manufacturers of modules.

Technical specifications

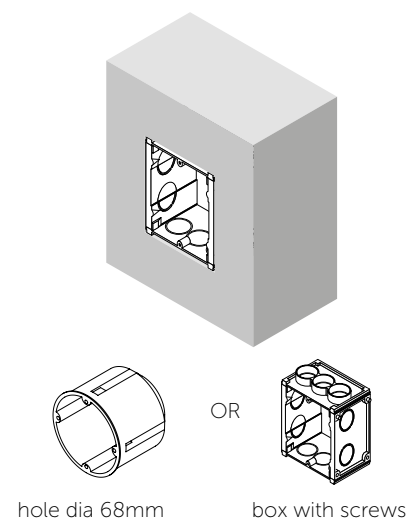
| | |
|---------|--------------------|
| Frame A | Bticino |
| Frame B | Legrand/Hager/Peha |
| Frame C | Vimar |

Approval

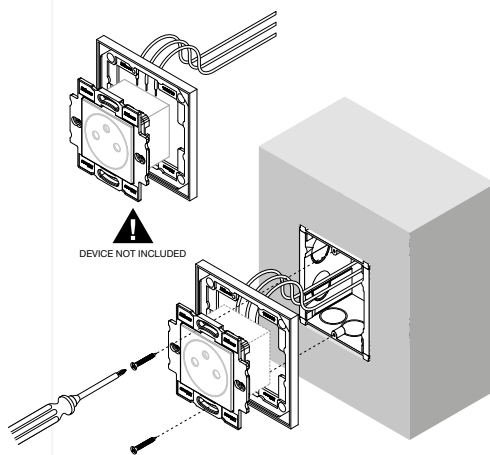
| | |
|------|-----------------|
| CE | Conform |
| RoHS | RoHS compatible |

Installation scenario

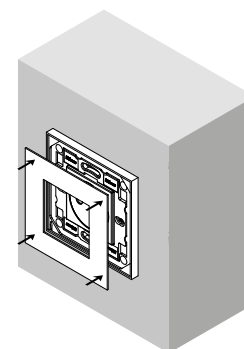
1 Recessed wall box installation.



2 Fix frame to wall or junction box with 2 screws (use holes on vertical axis).

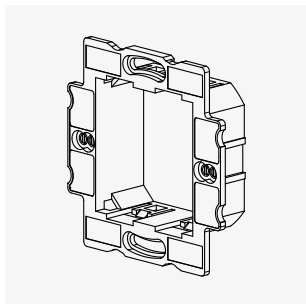


3 Place coverplate in the frame.



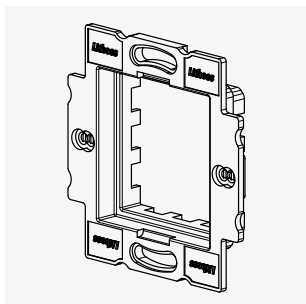
4. Compatible modules

Frame A - Color: Black



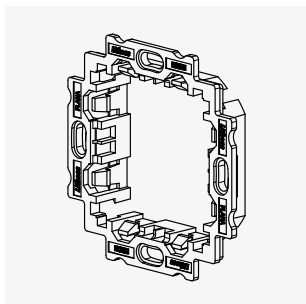
Compatible modules: Bticino Living, Light, Light Tech

Frame B - Color: Grey



Compatible modules: Legrand Mosaic, Hager Systo, Peha Concept 45

Frame C - Color: White



Compatible modules: Vimar Plana, Eikon

| | Width | Frame A | | |
|---|-------|----------------------|-----------------------|----------------------|
| | | Light | Light Tech | Living |
| | | White | Grey | Black |
| Outlet pin connection (Type E - Flat version) | 2 | TIN4142AF | TINT4142AF | TIL4142AF |
| Outlet pin connection (Type E) | 2 | LN4142AN+TIN4942S | LN4142AN+TINT4942S | LN4142AN+TIL4942S |
| Outlet pin connection + cover (Type E) | 2 | TIN4145 | TINT4145 | TIL4145 |
| Outlet schuko (Type F) | 2 | TIN4141AN | TINT4141AN | TIL4141AN |
| Outlet schuko + cover (Type F) | 2 | - | - | - |
| Outlet British standard 5A (Type C) | 2 | - | - | - |
| Outlet British standard 13A (Type G) | 2 | TIN4150 | TINT4150 | TIL4150 |
| Multistandard outlet | 2 | - | - | - |
| Shaver outlet (115V-230V) | 3 | TIN4177 | TINT4177 | TIL4177 |
| USB connection | 1 | TIN4285C | TINT4285C | TIL4285C |
| USB connection | 2 | TIN4285C2 | TINT4285C2 | TIL4285C2 |
| RJ11 - Telephone connection | 1 | TIN4258/11N | TINT4258/11N | TIL4258/11N |
| RJ45 - Computer connection (CAT6) | 1 | TIN4279C6 | TINT4279C6 | TIL4279C6 |
| TV connection Coax (end) | 1 | TIN4202D | TINT4202D | TIL4202D |
| TV connection Coax (through) | 1 | TIN4202P | TINT4202P | TIL4202P |
| TV/FM connection (end) | 2 | TIN4211D | TINT4211D | TIL4211D |
| TV/FM connection (through) | 2 | - | - | - |
| TV/FM/SAT connection | 2 | TIN4210D | TINT4210D | TIL4210D |
| HDMI connection | 1 | - | - | - |
| HDMI connection | 2 | TIN4284 | TINT4284 | TIL4284 |
| Speaker connector | 1 | TIN4294 | TINT4294 | TIL4294 |
| RCA connection | 1 | TIN4269R | TINT4269R | TIL4269R |
| Programmable thermostat | 2/3 | TIN4451 [*] | TINT4451 [*] | TIL4451 [*] |
| Electronic thermostat | 2 | TIN4441 | TINT4441 | TIL4441 |
| EIB/KNX thermostat (Touch) | 2 | - | - | - |
| IR movement detector | 1 | TIN4431 | TINT4431 | TIL4431 |
| IR movement detector | 2 | TIN4432 | TINT4432 | TIL4432 |
| EIB/KNX presence detector | 2 | - | - | - |
| Blank module | 1 | TIN4950 | TINT4950 | TIL4950 |
| Blank module | 2 | TIN4951 | TINT4951 | TIL4951 |
| Ventilation switch - 4 positions | 2 | TIN4016 | TINT4016 | TIL4216 |

^{*}Important: Technical data is subject to change without notice. Please check our website for latest information.

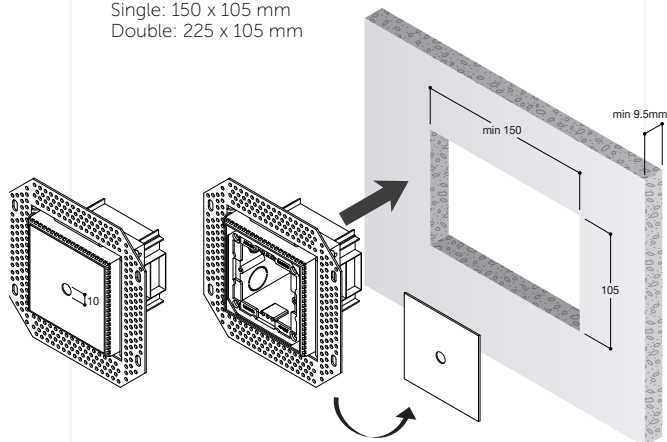
| | Frame B | | | | | Frame C | | |
|---------|---------|-------------------|-------------------|-------------------|------------|------------------|------------------|------------------|
| | Mosaic | Mosaic | Concept 45 | Concept 45 | Concept 45 | Eikon | Eikon | Eikon |
| | White | Alu Grey | White | Grey | Black | White | Grey | Black |
| L77132 | - | - | - | - | - | - | - | - |
| L77111 | L79271 | | P414341 | P516941 | P512941 | Vi220212.FX | Vi320212.FX | Vi120212.FX |
| L77119 | - | - | - | - | - | Vi220212.FX.C | Vi320212.FX.C | Vi120212.FX.C |
| L77213 | - | | P414111 | P516111 | P512111 | Vi220208.FX | Vi320208.FX | Vi120208.FX |
| L77219 | - | - | - | - | - | Vi220208.FX.C | Vi320208.FX.C | Vi120208.FX.C |
| L74124S | - | - | - | - | - | Vi220214 | Vi320214 | Vi120214 |
| L77505 | - | - | - | - | - | Vi220219 | Vi320219 | Vi120219 |
| - | - | - | - | - | - | Vi220257 | Vi320257 | Vi120257 |
| - | - | - | - | - | - | Vi220290 | Vi320290 | Vi120290 |
| L77591 | L79391 | - | - | - | - | Vi220292 | Vi320292 | Vi120292 |
| L77594 | L79394 | - | - | - | - | Vi220295 | Vi320295 | Vi120295 |
| L78730 | L79231 | - | - | - | - | Vi220320 | Vi320320 | Vi120320 |
| L76561 | L79461 | P572111 | P572311 | P572211 | | Vi2203396 | Vi3203396 | Vi1203396 |
| L78793 | - | - | - | - | - | Vi220300 | Vi320300 | Vi120300 |
| - | - | - | - | - | - | Vi220300.10 | Vi320300.10 | Vi120300.10 |
| L78788 | - | - | - | - | - | Vi220302 | Vi320302 | Vi120302 |
| - | - | - | - | - | - | Vi220302.10 | Vi320302.10 | Vi120302.10 |
| L78786 | - | - | - | - | - | Vi220303 | Vi320303 | Vi120303 |
| L78778 | L79378 | - | - | - | - | Vi220346 | Vi320346 | Vi120346 |
| L78768 | L79275 | - | - | - | - | - | - | - |
| L78750 | - | - | - | - | - | Vi220583 | Vi320583 | Vi120583 |
| L78754 | L79254 | - | - | - | - | Vi220335 | Vi320335 | Vi120335 |
| - | - | - | - | - | - | Vi220445 | Vi320445 | Vi120445 |
| L76720 | - | P500113 + P502613 | P500313 + P502613 | P500213 + P502613 | | Vi202950 (touch) | Vi302950 (touch) | Vi102950 (touch) |
| - | - | - | - | - | - | Vi202952 | Vi302952 | Vi102952 |
| - | - | - | - | - | - | Vi220181 | Vi320181 | Vi120181 |
| - | - | P504513 + P502613 | P504713 + P502613 | P504613 + P502613 | | - | - | - |
| - | - | - | - | - | - | Vi220850 | Vi320850 | Vi120850 |
| L77070 | L79270 | P416311 | P516011 | P512011 | | Vi220041 | Vi320041 | Vi120041 |
| L77071 | L79280 | P416211 | P515911 | P511911 | | Vi220042 | Vi320042 | Vi120042 |
| - | - | - | - | - | - | Vi220096 | Vi320096 | Vi120096 |

5. Flush installation scenarios

5.1 Dry wall installation (hollow walls)

1 Make hole according to dimensions.

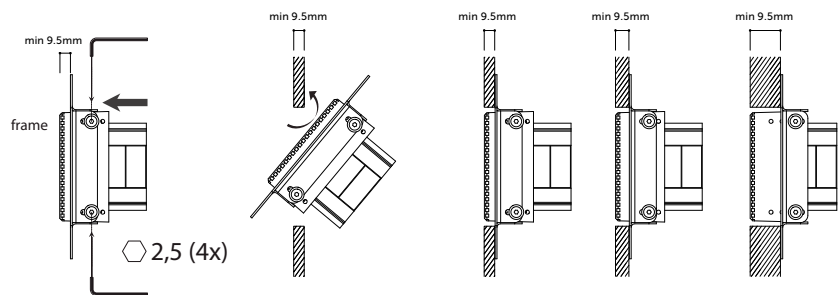
Single: 150 x 105 mm
Double: 225 x 105 mm



2 Frame preparation

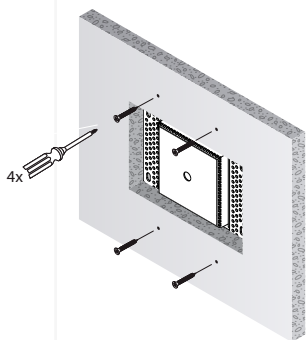
a. Adjust fixing plates to plasterboard thickness*

b. Place adjusted frame in the wall hole

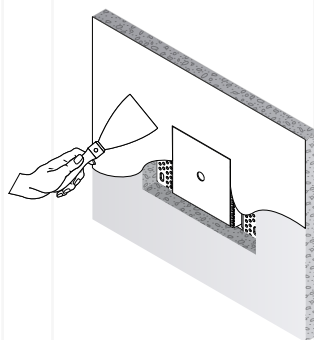


*Different positions possible, compatible with most of the standard plasterboard thicknesses.

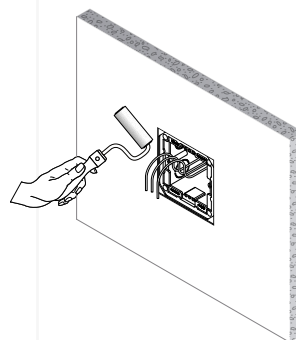
3 Fix frame



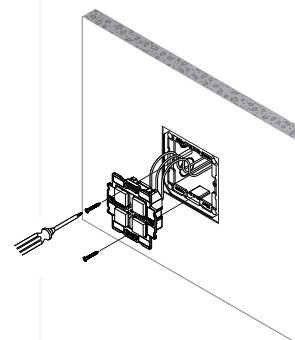
4 Plaster



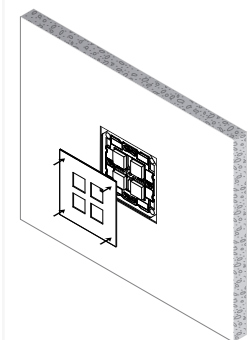
5 Remove protection cover and paint



6 Insert module



7 Place cover plate

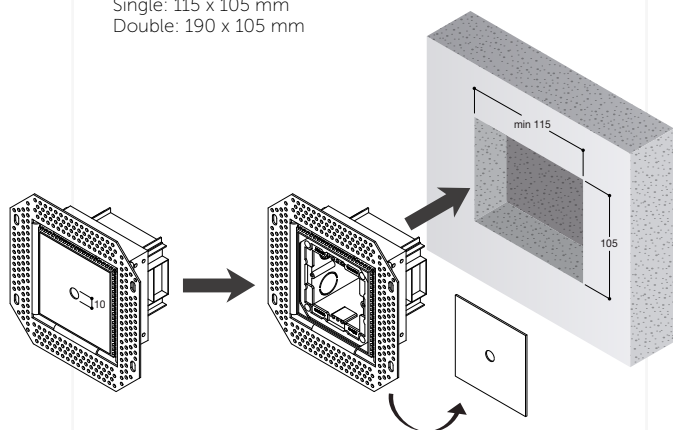


Magnetic attraction

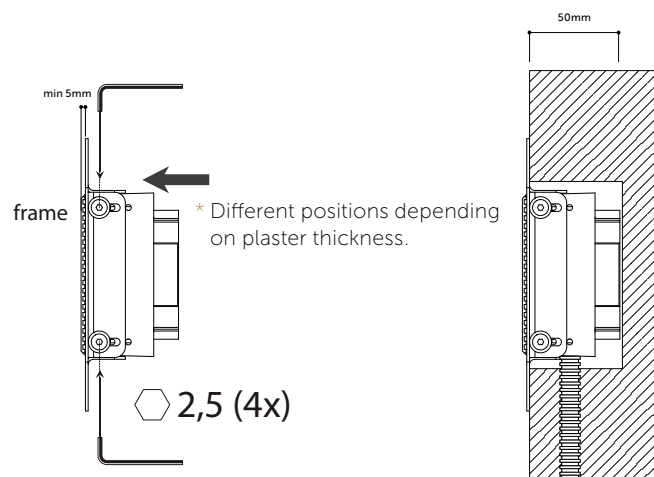
5.2 Solid wall installation (bricks / concrete)

1 Make hole according to dimensions.

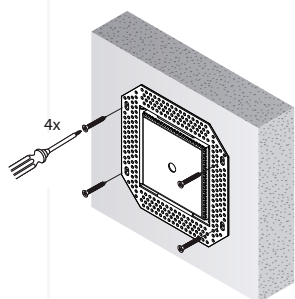
Single: 115 x 105 mm
Double: 190 x 105 mm



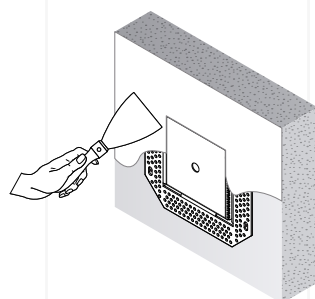
2 Frame preparation: Adjust fixing plates to plasterboard thickness*



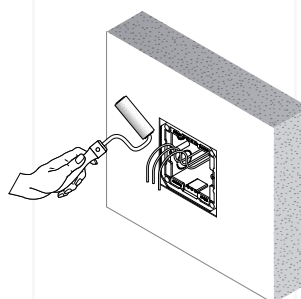
3 Fix frame



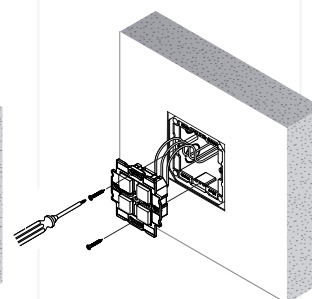
4 Plaster



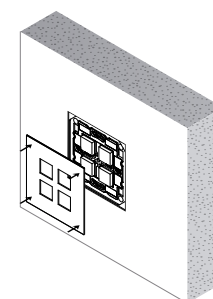
5 Remove protection cover and paint



6 Insert module



7 Place cover plate



Magnetic attraction

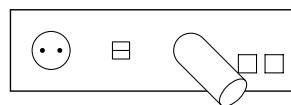
6. Combinations

| Productgroup (zz) | | Module type (yy) | | | |
|-------------------|------|--|--------|--------------------------|--------|
| Family | Code | Technology | Code 1 | Type | Code 2 |
| Select | Ni | None (valid for: Void, Dimmer, Luminaires) | 0 | Blind | 0 |
| Select Flush | NF | 250V 2-way (Cockpit) | 1 | 1T/1C | 1 |
| Cockpit | Co | 250V Shutter (Cockpit) | 2 | 2T/2C | 2 |
| Squares | Sq | 24V-250V Push button | 3 | 3T | 3 |
| Squares Flush | SF | 250V 2-way + neon (Cockpit) | 4 | 4T | 4 |
| Dimmer | Dm | 250V Shutter + neon (Cockpit) | 5 | Bticino frame | A |
| Void | Vo | 24V-250V Push button + neon (Cockpit) | 6 | L/H/P frame | B |
| Void Flush | VF | 24V Push button + led white | 7 | Vimar | C |
| Luminaires | Lu | 24V Push button + led amber | 8 | Dimmer 1-10V | D |
| | | Teleruptor (only 1T) | A | (2700K) Flex | F |
| | | Crestron (Select, Squares) | B | (2700K) Gatekeeper | G |
| | | Domintell (Select, Squares) | D | (2700K) Microscop | M |
| | | RGB Controller (Only 2T: Select, Squares) | I | (2700K) Nobel | N |
| | | KNX (led & temp sensor) (Select, Squares) | K | (3000K) Q light | S |
| | | Qbus+RGB LED+TEMP (Select, Squares) | R | USB charger | U |
| | | Qbus+RGB LED (Select, Squares) | Q | Socket Round Black FR-BE | W |
| | | | | Socket Round White FR-BE | X |
| | | | | Socket Round Black EU | Y |
| | | | | Socket Round White EU | Z |

01 Stainless Steel



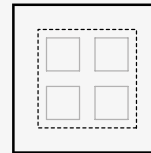
Example



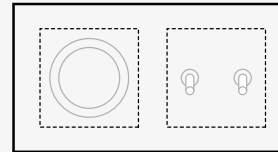
Sq0W0U0M3201 in Stainless Steel.

Feel free to make your own combinations
— by selecting from the configurations above.

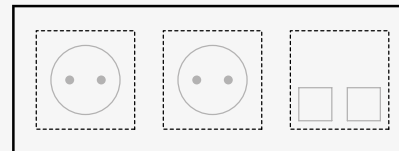
| Color | Code | Finish (xx) | | | | | |
|----------------------------------|------|-------------|---------|---------|--------|-------|--------|
| | | Select | Cockpit | Squares | Illume | Piano | Dimmer |
| Stainless Steel | 01 | | | | | | |
| Matt White RAL9010 | 02 | | | | | | |
| Gunpowder Black (Fusain) | 03 | | | | | | |
| Brushed Brass | 06 | | | | | | |
| Chrome | 08 | | | | | | |
| Nickel | 09 | | | | | | |
| Textured White RAL9010 | 13 | | | | | | |
| Textured Black RAL9011 | 14 | | | | | | |
| Bronze Antique | 17 | | | | | | |
| Matt Black RAL9011 | 18 | | | | | | |
| Tin Antique | 19 | | | | | | |
| Brass Antique | 20 | | | | | | |
| Bicolour RAL9010 + RAL9011 | 28 | | | | | | |
| Copper | 29 | | | | | | |
| Stainless Steel + Textured Black | 30 | | | | | | |
| Textured Black + Nickel | 32 | | Knurl | | | | Knurl |
| Brushed Brass + Textured Black | 33 | | | | | | |
| Copper + Textured Black | 34 | | | | | | |
| Matt White + Textured Black | 35 | | | | | | |
| Textured Black + Brushed Brass | 36 | | Knurl | | | | |
| Brushed Brass | 37 | | Knurl | | | | Knurl |
| Stainless Steel + Nickel | 38 | | Knurl | | | | Knurl |
| Bronze Antique | 39 | | Knurl | | | | Knurl |
| Brass Antique | 40 | | | | | | |
| Gunpowder Black (Fusain) | 41 | | | | | | |
| Tin Antique + Textured Black | 42 | | | | | | |
| Nickel | 43 | | Knurl | | | | Knurl |
| Textured Black + Brass | 46 | | Knurl | | | | Knurl |



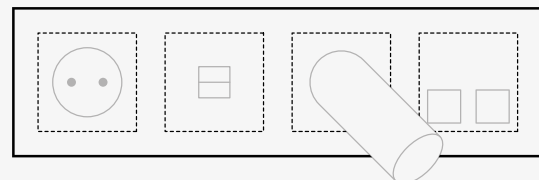
ZZ yy XX



ZZ y₁y₂ XX




















































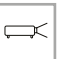



















ZZ y₁y₂y₃ XX



ZZ y₁y₂y₃y₄ XX

7. Printing / engraving symbols

To personalize our switches, text (in the language of your choice) or symbols can be printed or engraved on the button and/or coverplate. These symbols can be printed via a special silk-screen process. The colour of the print depends on the chosen finish, for example a silver symbol on a gunpowder black coverplate. A true added value to our products is laser engraving so you don't only see the strength and quality of our products, you also feel them. By choosing the correct laser setting you can burn the surface locally in order to obtain a discrete black symbol or laser deeper to make the symbol appear in the base material. Other symbols can be printed or engraved when quality images are supplied.

| | | | | |
|---|--|--|--|---|
|  1 raise temperature |  17 doorbell |  33 gate closed |  49 play |  65 floor lamp |
|  2 lower temperature |  18 spa |  34 gate open |  50 stop |  66 bathroom |
|  3 wine cellar |  19 vacation |  35 table lamp |  51 left |  67 bedroom |
|  4 plasma tv |  20 babysit |  36 cloudy mode |  52 right |  68 dog |
|  5 dining room |  21 garden lights |  37 mp3 |  53 up |  69 fan |
|  6 cd |  22 tennis court |  38 radio |  54 down |  70 swimming pool |
|  7 dvd |  23 1 light |  39 mute |  55 patio |  71 leave |
|  8 sprinklers |  24 2 lights |  40 fireplace |  56 study |  72 home |
|  9 garage closed |  25 3 lights |  41 pool room |  57 25% |  73 sauna |
|  10 garage open |  26 4 lights |  42 elevator |  58 50% |  74 bar |
|  11 kitchen |  27 5 lights |  43 fast forward |  59 75% |  75 living room |
|  12 power standby |  28 6 lights |  44 rewind |  60 100% |  76 home cinema |
|  13 sunny mode |  29 7 lights |  45 index fast forward |  61 volume up |  77 airco up |
|  14 armed |  30 8 lights |  46 index rewind |  62 volume down |  78 airco down |
|  15 curtains closed |  31 music source |  47 stores closed |  63 all lights off |  79 master on |
|  16 curtains open |  32 night mode |  48 stores open |  64 all lights on |  80 master off |

